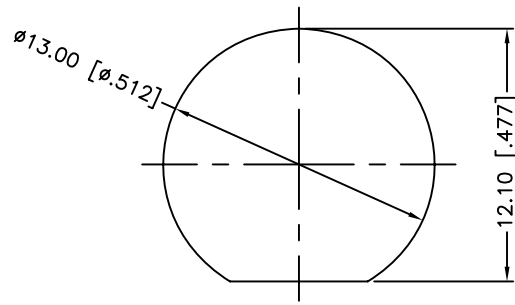
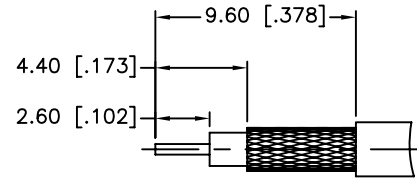


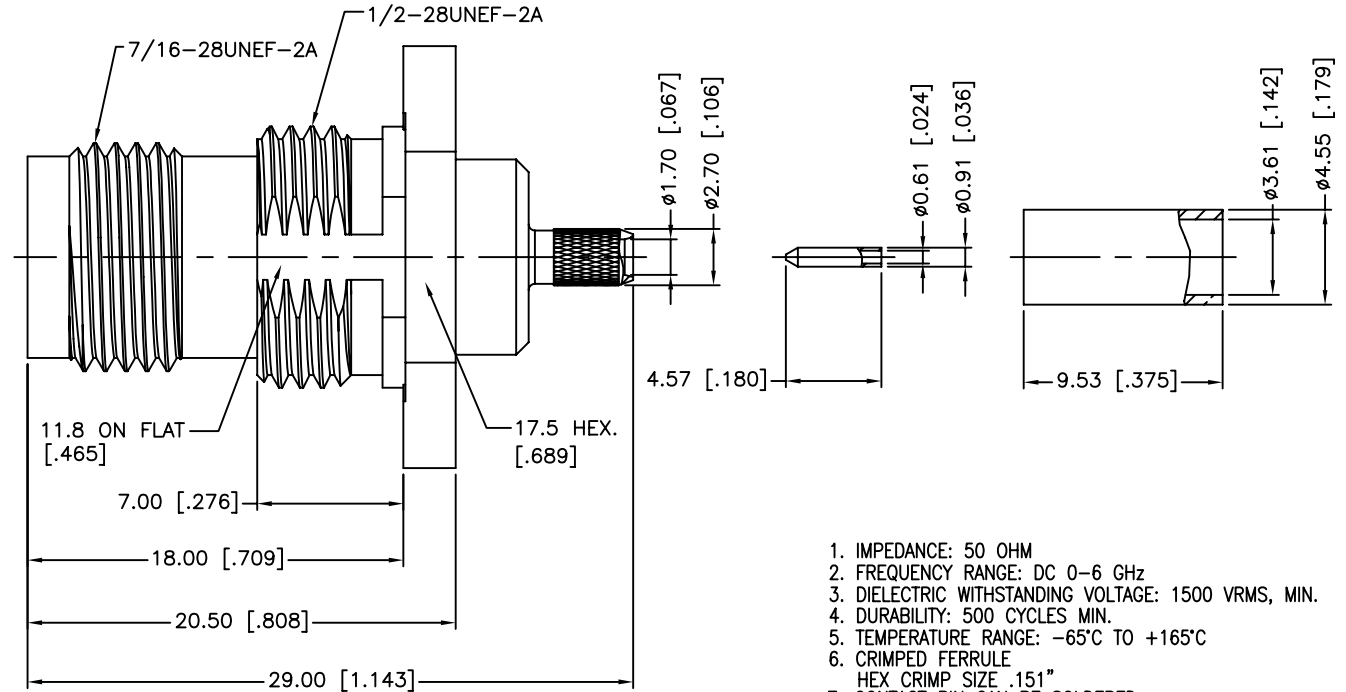
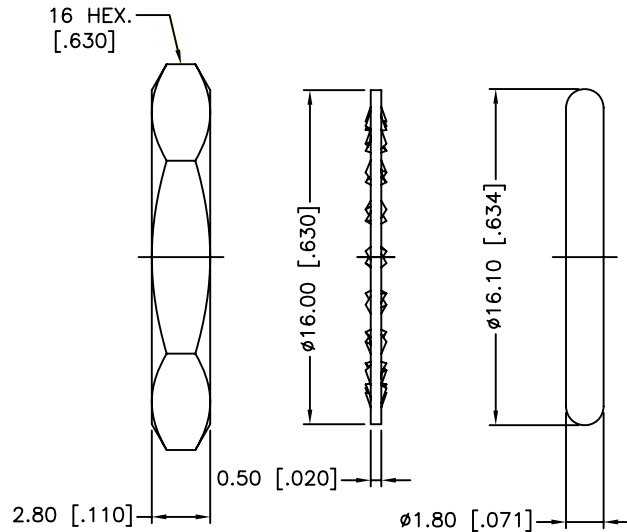
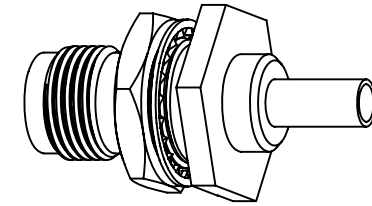
| REV. | DATE | ECR NO. | DESCRIPTION |
|------|----------|---------|--------------------------------------|
| NC | 04/13/09 | XXXXXX | INITIAL RELEASE |
| A | 12/20/12 | 2417 | CHANGE O-RING, UPDATE DRAWING FORMAT |



RECOMMENDED MOUNTING HOLE



RECOMMENDED CABLE STRIPPING DIM'S



1. IMPEDANCE: 50 OHM
2. FREQUENCY RANGE: DC 0-6 GHz
3. DIELECTRIC WITHSTANDING VOLTAGE: 1500 VRMS, MIN.
4. DURABILITY: 500 CYCLES MIN.
5. TEMPERATURE RANGE: -65°C TO +165°C
6. CRIMPED FERRULE
HEX CRIMP SIZE .151"
7. CONTACT PIN CAN BE SOLDERED
OR USE 4-WAY INDENT TOOL #47001
8. SEALED TO IP67.
9. MAX. PANEL THICKNESS=3.5mm

| QTY | DESCRIPTION | MATERIAL | FINISH |
|-----|----------------|-----------------|---------|
| 1 | HEX NUT | BRASS | NICKEL |
| 1 | LOCK WASHER | BRASS | NICKEL |
| 1 | GASKET | SILICONE RUBBER | RED |
| 1 | FERRULE | COPPER | NICKEL |
| 1 | CONTACT PIN | BRASS | GOLD |
| 1 | RETAINING RING | BRASS | NICKEL |
| 1 | CONTACT PIN | PHOSPHOR BRONZE | GOLD |
| 1 | GASKET | SILICONE RUBBER | RED |
| 1 | INSULATOR | PTFE | NATURAL |
| 1 | BODY | BRASS | NICKEL |
| QTY | DESCRIPTION | MATERIAL | FINISH |

UNLESS OTHERWISE SPECIFIED DIMENSIONS ARE IN MILLIMETERS. DIMENSIONS IN [] ARE IN INCHES AND FOR CUSTOMER REFERENCE ONLY.

UNLESS OTHERWISE SPECIFIED TOLERANCES FOR MILLIMETERS ARE:
0.5 - 8mm ± 0.20mm
8 - 30mm ± 0.40mm
30 - 120mm ± 0.50mm

UNLESS OTHERWISE SPECIFIED TOLERANCES FOR INCHES ARE:
.020 - .315 = ± 0.007"
.315 - 1.180 = ± 0.015"
1.180 - 4.724 = ± 0.020"

DO NOT SCALE DRAWING

| APPROVALS | DATE |
|----------------------------------|----------|
| DRAWN M.ZHANG | 12/20/12 |
| CHECKED | |
| ISSUED | |
| SHEET 1 OF 1 | |
| CAD FILE C:/CONNEX/122358-10.DWG | |

Amphenol Connex

| PART DESCRIPTION |
|---|
| TNC BULKHEAD CRIMP JACK, IP67 RATED (FOR RG-316U/D CABLE) |
| PART NO. |
| 122358-10 |
| DWG. NO. |
| 122358-10.DWG |
| REV. |
| A |
| SIZE |
| A |
| SCALE |
| NA |