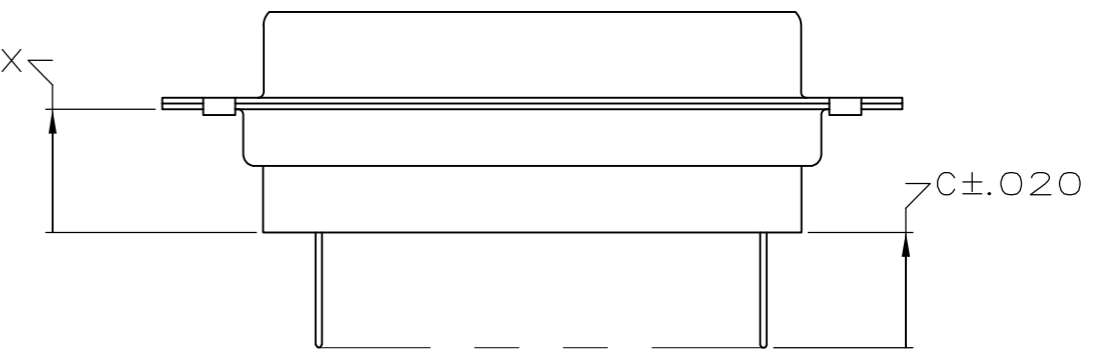
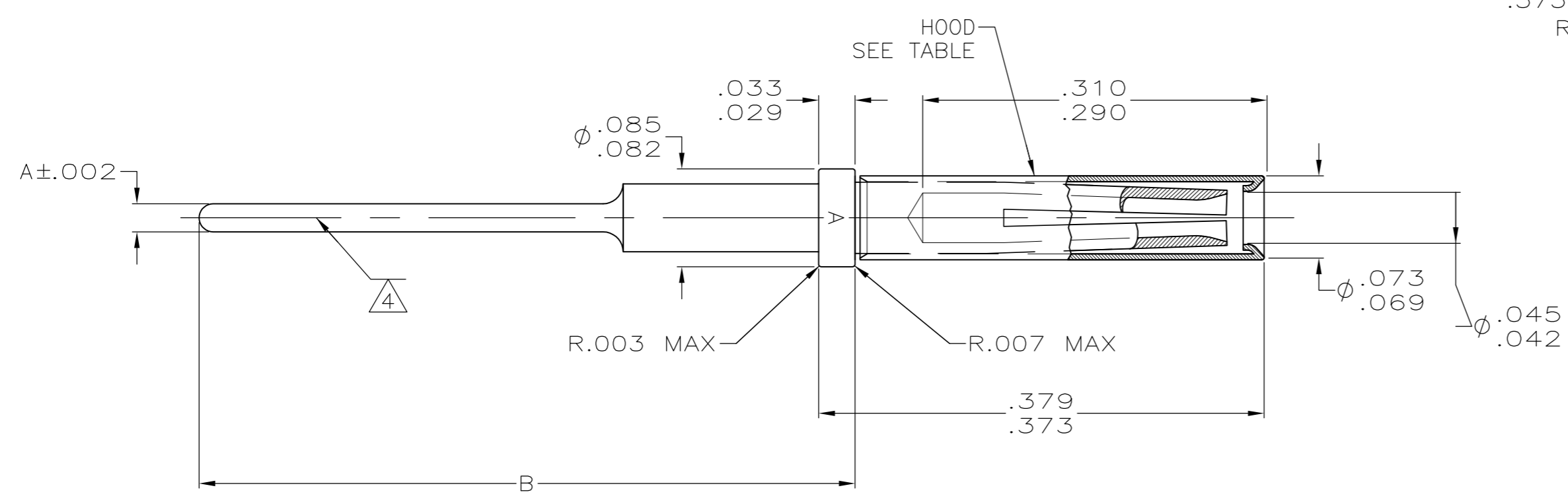


LOC	DIST	REVISIONS			DATE	OWN	APVD
P	LTR	DESCRIPTION					
DF	DO	R1	REVISED PER	ECO-11-005030	11MAR11	-	HMR



POST EXTENTION WHEN USED
 IN A STANDARD CONNECTOR

- 1. PLATED GOLD .000050 MIN THK, OVER COPPER .000150 MIN THK
- 2. FOR USE IN P.C. BOARD.
- 3. CONTACT CAN BE USED IN ANY STANDARD HD-20 RECEPTACLE CONNECTOR.
- 4. POINT OF PLATING MEASUREMENT .100 FROM TIP OF SOLDER TAIL.
- 5. PLATED GOLD PER MIL-G-45204, TYPE I, CLASS 1, GRADE C OVER NICKEL PER QQ-N-290, .000050 TO .000150 INCH THK.
- 6. CONTACT BODY MAT'L: LEADED NICKEL COPPER (PROPRIETARY) EQUIVALENT ALTERNATE MAT'L: COPPER ALLOY PER ASTM-B-196
- 7. CONTACTS MEET ALL APPLICABLE PERFORMANCE REQUIREMENTS OF MIL-C-39029.
- 8. HOOD: STAINLESS STEEL. PASSIVATED.
- 9. HOOD: BRASS PER QQ-B-613 OR BERYLLIUM COPPER PER ASTM-B-196 PLATED GOLD PER MIL-G-45204, TYPE II, GRADE C, CLASS 1, OVER COPPER PER MIL-C-14550, CLASS 4.

	1	9	C	B	A	PART NO.
PRELIMINARY NOT RELEASED FOR PRODUCTION	-	-	.320	.560	.018	1-208778-5
PRELIMINARY NOT RELEASED FOR PRODUCTION	-	-	-	-	-	1-208778-4
PRELIMINARY NOT RELEASED FOR PRODUCTION	-	-	-	-	-	1-208778-3
	1	8	.240	.480	.018	1-208778-2
	5	8	.320	.560	.018	1-208778-1
	1	8	.320	.560	.018	1-208778-0
OBSOLETE	1	8	.190	.446	.040	208778-9
OBSOLETE	1	8	.190	.446	.030	208778-8
OBSOLETE	1	8	.190	.446	.024	208778-7
OBSOLETE	1	8	.155	.415	.040	208778-6
OBSOLETE	1	8	.155	.415	.030	208778-5
OBSOLETE	1	8	.155	.415	.024	208778-4
OBSOLETE	1	8	.125	.383	.040	208778-3
OBSOLETE	1	8	.125	.383	.030	208778-2
OBSOLETE	1	8	.125	.383	.024	208778-1

THIS DRAWING IS A CONTROLLED DOCUMENT.		DWN THOMPSON 08-18-93	STE TE Connectivity	
		CHK D. MANTIONE 08-23-93		
DIMENSIONS: mm [INCHES]		APVD D. MANTIONE 08-23-93	NAME	
TOLERANCES UNLESS OTHERWISE SPECIFIED:		PRODUCT SPEC	SOCKET CONTACT POSTED, SIZE 20 ASSEMBLY	
0 PLC ± -		APPLICATION SPEC	SIZE CAGE CODE DRAWING NO RESTRICTED TO	
1 PLC ± -		WEIGHT	A2 00779 C-208778	
2 PLC ± -		CUSTOMER DRAWING	SCALE 10:1 SHEET 1 OF 1 REV R1	
3 PLC ± .005				
4 PLC ± -				
ANGLES ± -				
FINISH SEE CALLOUT				