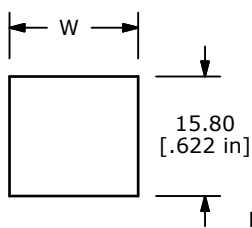
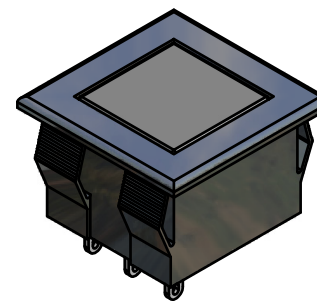
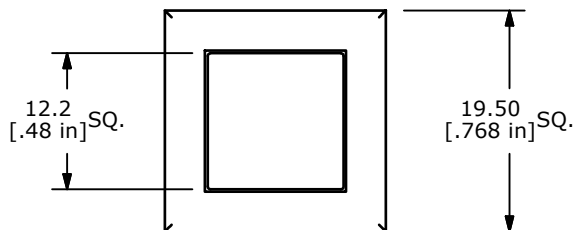


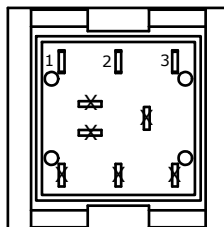
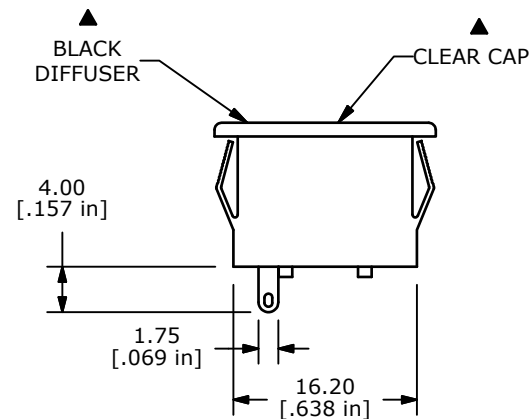
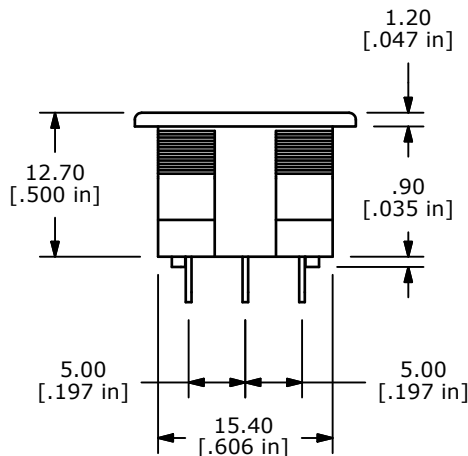
(NONE)

LED SCHEMATIC



PANEL MOUNTING	
PANEL THICK	W
0.75 - 1.25	17.6 - 17.8
1.25 - 2.0	17.8 - 18.0
2.0 - 3.0	18.0 - 18.2

PANEL MOUNTING



1. ALL DIMENSIONS IN MM
2. GENERAL TOLERANCE: X.X=±0.4
X.XX=±0.25
3. TERM. NOS. FOR REFERENCE ONLY.
- ▲4. CONTACT RATING: 0.5A @ 100VAC
0.2A @250VAC
0.5A @25VDC
5. CONTACT MATERIAL: SILVER
6. ELECTRICAL LIFE: 200,000 Typical
7. MECHANICAL LIFE:
1,000,000 CYCLES TYP.
8. CONTACT RESISTANCE:
50 MILLI OHM INITIAL TYP. MAX.
9. DIELECTRIC STRENGTH:
1000 VAC FOR 1 MIN.
10. TRAVEL TO MAKE: 2.20mm ±0.2
11. OPERATING FORCE: 200 +/- 100 gf
12. OPERATING TEMPERATURE: -20° +70°C
13. 2002/95/EC (ROHS) COMPLIANT
14. ▲DENOTES CRITICAL PARAMETER
- ▲15. LED COLOR: NONE



TITLE ULP120AM1QPMOP1NILNIL				
SCALE	DATE	DR	DWG	REV
1.5 : 1	9/3/2010	BLR	B810039	C

C	19687	DRAWING UPDATES	02/18/11	BMA
B	19290	ADJUST TERM. DIMENSIONS	09/03/10	BLR
REV	PCR NO	DESCRIPTION	DATE	BY

THE INFORMATION CONTAINED IN THIS DOCUMENT IS PROPRIETARY TO E-SWITCH AND IS NOT TO BE COPIED OR TRANSFERRED