

PART NAME

UTILIBOX (STYLE C)

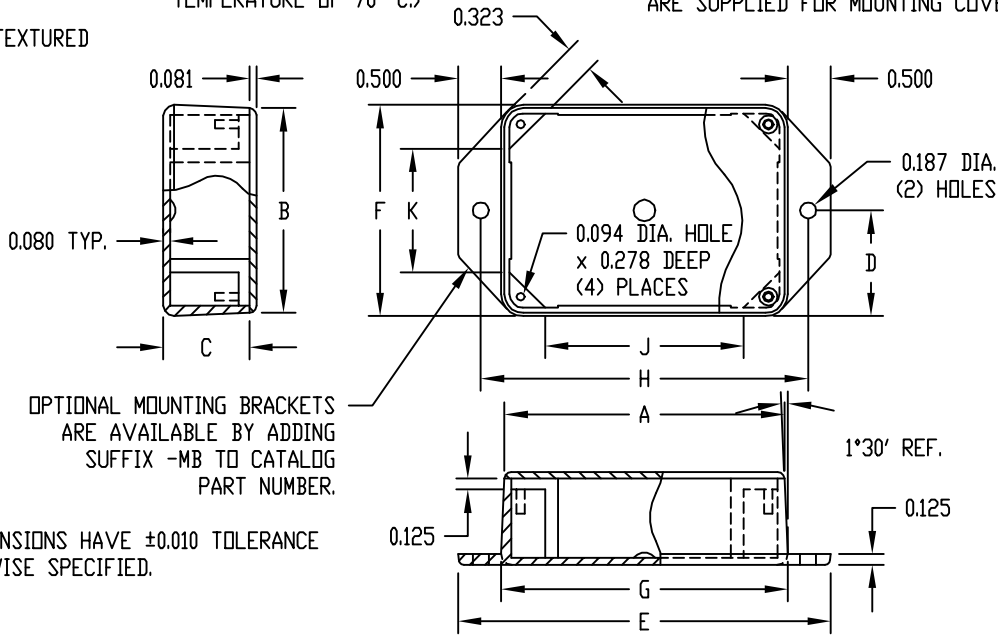
PART No.

CU-382 TO CU-386

MATERIAL: ABS THERMOPLASTIC (FLAMMABILITY RATING OF 94V-0 AT 0.080" THICKNESS AND CONTINUOUS USE TEMPERATURE OF 70° C.)

FOUR (4) #4 x 0.500" LG. SELF THREADING SCREWS WITH HI/LOW THREADS ARE SUPPLIED FOR MOUNTING COVER.

FINISH: BLACK TEXTURED



OPTIONAL MOUNTING BRACKETS ARE AVAILABLE BY ADDING SUFFIX -MB TO CATALOG PART NUMBER.

NOTE: ALL DIMENSIONS HAVE ±0.010 TOLERANCE UNLESS OTHERWISE SPECIFIED.

PART No.	A	B	C	D	E	F	G	H	J	K
CU-382	3.250	2.375	1.000	1.221	4.326	2.442	3.326	3.800	2.297	1.437
CU-383	4.125	2.750	1.000	1.408	5.190	2.816	4.190	4.672	2.218	1.844
CU-384	3.250	3.250	1.250	1.672	4.344	3.344	3.344	3.826	2.328	2.328
CU-385	4.500	3.250	1.250	1.672	5.594	3.344	4.594	5.076	3.578	2.328
CU-386	5.500	3.750	1.250	1.922	6.594	3.844	5.594	6.076	4.578	2.828

PART NAME

UTILIBOX (STYLE G)

PART No.

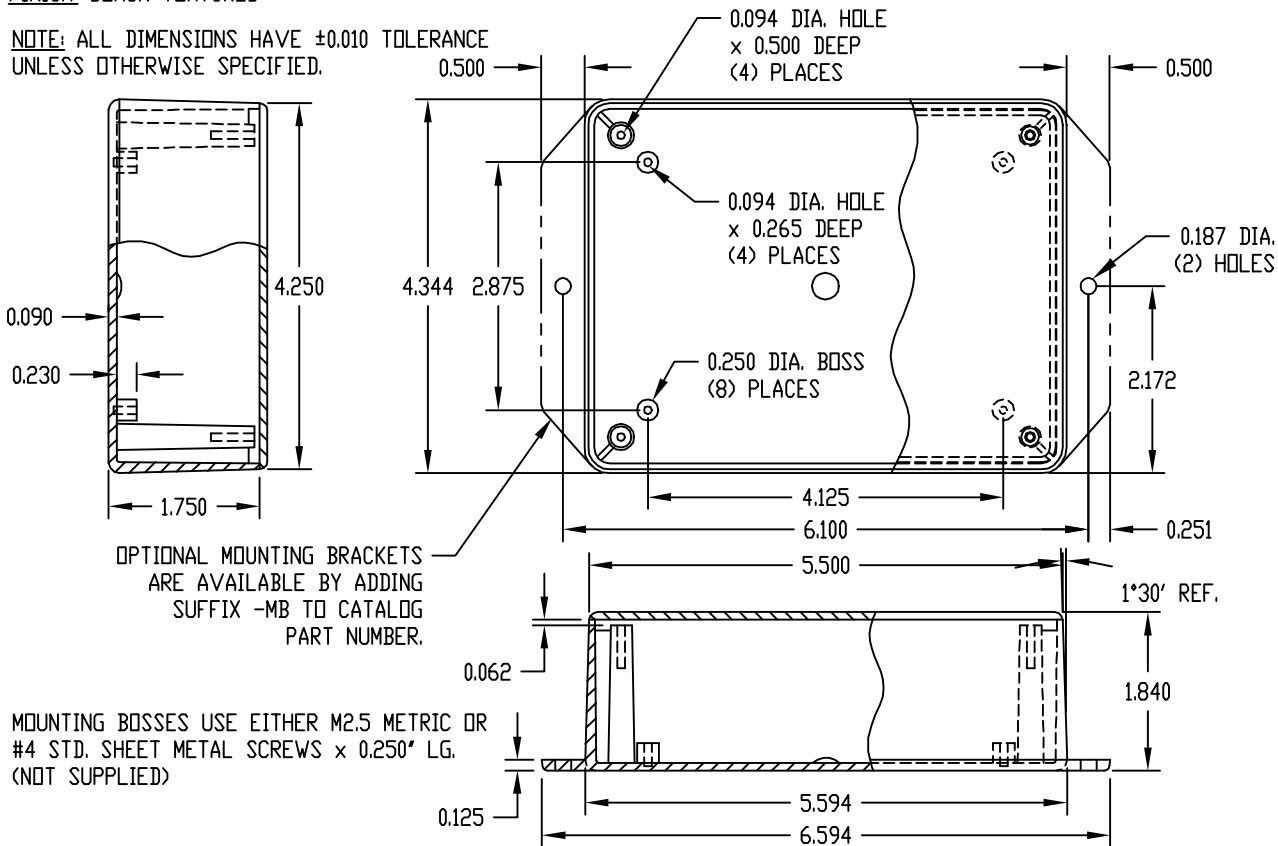
CU-387

MATERIAL: ABS THERMOPLASTIC (FLAMMABILITY RATING OF 94V-0 AT 0.080" THICKNESS AND CONTINUOUS USE TEMPERATURE OF 70° C.)

FOUR (4) #4 x 0.500" LG. SELF THREADING SCREWS WITH HI/LOW THREADS ARE SUPPLIED FOR MOUNTING COVER.

FINISH: BLACK TEXTURED

NOTE: ALL DIMENSIONS HAVE ±0.010 TOLERANCE UNLESS OTHERWISE SPECIFIED.



OPTIONAL MOUNTING BRACKETS ARE AVAILABLE BY ADDING SUFFIX -MB TO CATALOG PART NUMBER.

MOUNTING BOSSES USE EITHER M2.5 METRIC OR #4 STD. SHEET METAL SCREWS x 0.250" LG. (NOT SUPPLIED)