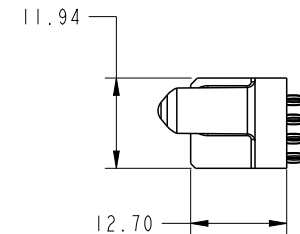
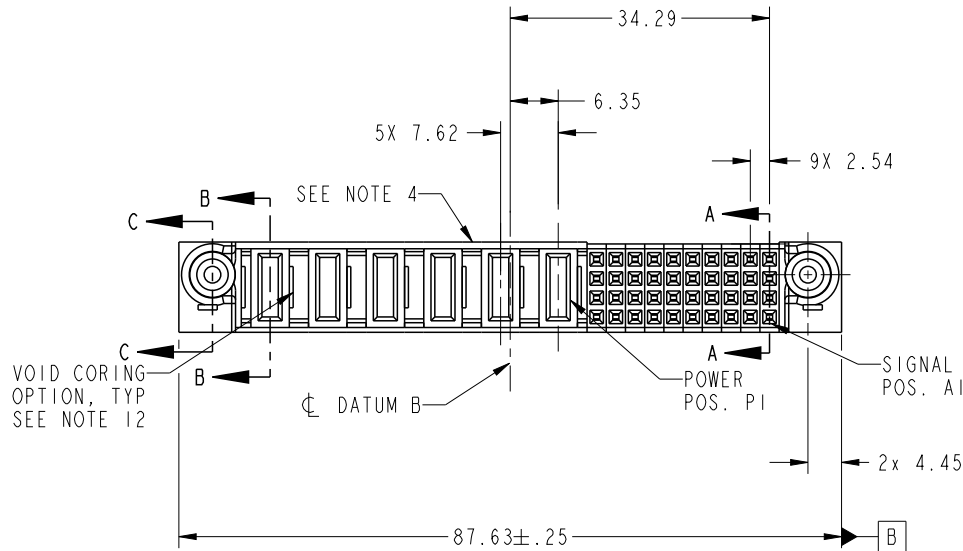


PRODUCT NO. 51940-504__ NOTE:3	ROWS D C B A	POWER						SIGNAL										E1	
		E2	P6	P5	P4	P3	P2	P1	10	9	8	7	6	5	4	3	2		1
			PF	PF	PF	PF	PC	PC	F	F	F	F	F	F	F	F	F	F	



CODE	DIM "M" MATING LENGTH	CONTACT TYPE
PF	[2.34]	POWER
F	[N/A]	SIGNAL
PC	[1.07]	POWER

spec ref	*	dr	Ruan MT	2013/07/14	projection	MM	size	A4	scale	1:1
tolerance std	TOLERANCES UNLESS OTHERWISE SPECIFIED	eng	Ruan MT	2013/10/16			ecn no	-		
		chr	-	-						
surface	linear	0.X	±0.5	FCI	title	40S + 6P	dwg no	51940-504	rev	A
		0.XX	±0.25							
		0.XXX	±0.1							
angular	0°	±2°	www.fci.com	cat. no.	*	Product - Customer Drw	sheet 1 of 4			

1

2

3

4

A

B

C

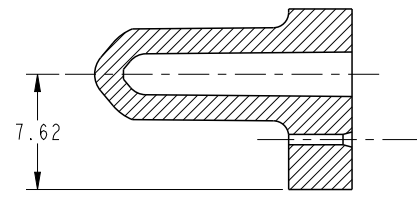
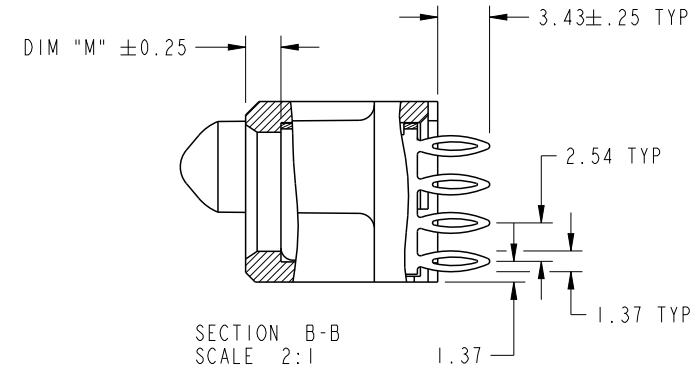
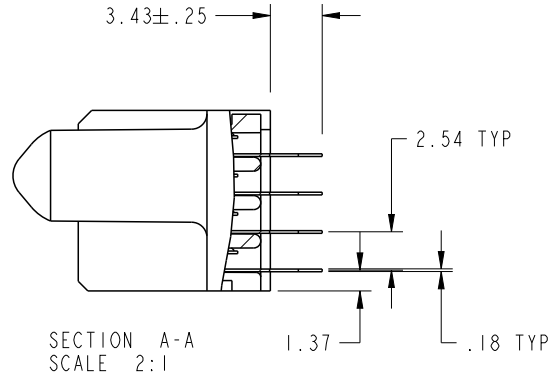
D

A

B

C

D



dr	Ruan MT	2013/07/14	projection 	MM 	size	A4	scale	1:1
eng	Ruan MT	2013/10/16			ecn no	-		
chr	-	-			rel level	Released		
appr	Pei-Ming Zheng	2013/10/16	product family	PwrBlade	rev	A		
		title 40S + 6P VERTICAL PRESS-FIT RECEIPT	dwg no 51940-504	cat. no. *	Product - Customer Drw	sheet 2 of 4		

2

3

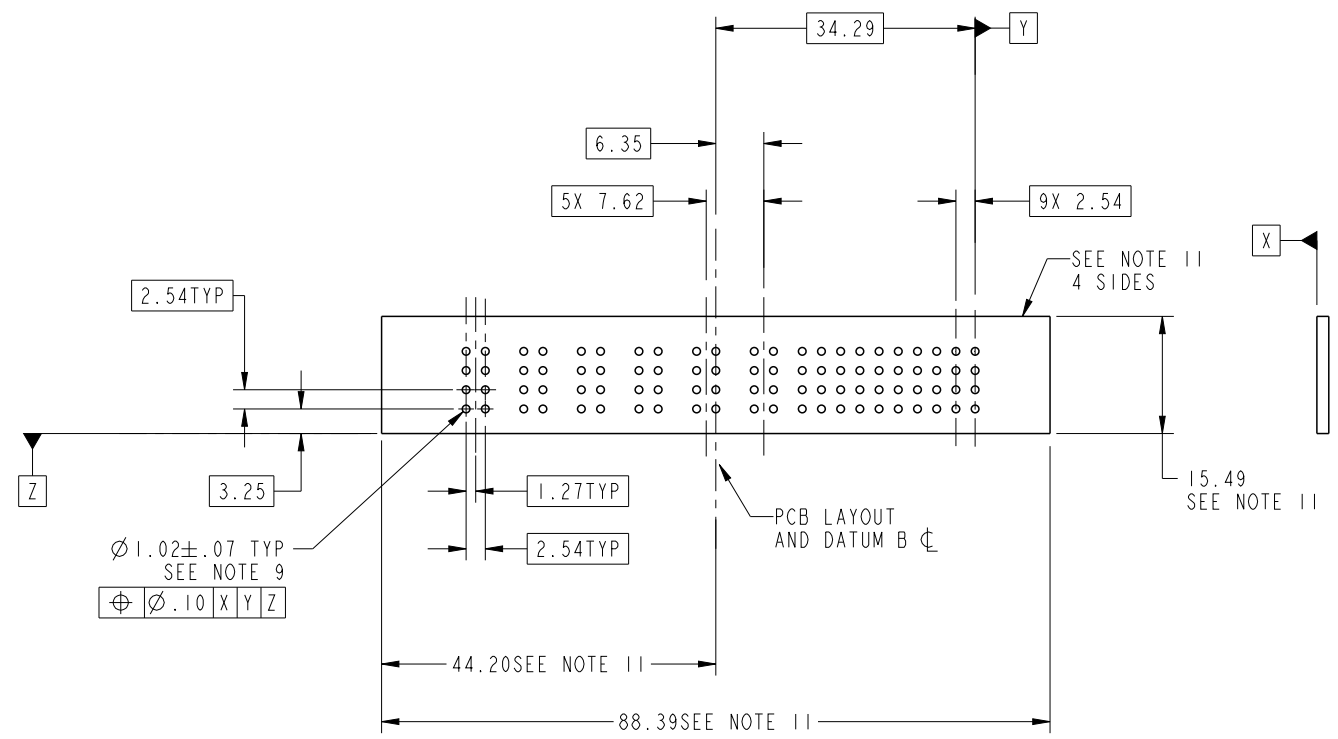
4



Copyright FCI.



Copyright FCI.



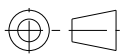
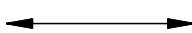
dr	Ruan MT	2013/07/14	projection 	MM 	size	A4	scale	1:1	
eng	Ruan MT	2013/10/16			ecn no	-			
chr	-	-			rel level	Released			
appr	Pei-Ming Zheng	2013/10/16	product family	PwrBlade					
		title	40S + 6P VERTICAL PRESS-FIT RECEPT		dwg no	51940-504		rev	A
www.fci.com		cat. no.	*	Product - Customer Drw			sheet 3 of 4		

NOTES:

1. DIMENSIONS AND TOLERANCES ARE IN ACCORDANCE WITH ASME Y14.5M, 1994 UNLESS OTHERWISE SPECIFIED.

CONNECTOR NOTES:

- ② HOUSING MATERIAL: UL 94 V-0 GLASS FILLED
HIGH-TEMP THERMOPLASTIC
POWER CONTACT MATERIAL: COPPER ALLOY
SIGNAL PIN MATERIAL: COPPER ALLOY
 - 3. PLATING:
SEE ITEM 7 & 8 IN PRINT 10064183 FOR PLATING SPEC OF 51940-504; 51940-504LF PRESPECTIVELY.
 - ④ MANUFACTURER'S NAME, P/N, AND DATE CODE TO APPEAR ON THIS SURFACE.
 - 5. PRODUCT SPECIFICATION GS-12-149.
APPLICATION SPECIFICATION BUS-20-067.
 - 6. PACKAGED IN TRAYS.
- PCB NOTES:
- 7. ALL HOLE DIAMETERS ARE FINISHED HOLE SIZE.
 - ⑧ MOUNTING HOLES, WHERE APPLICABLE, ARE UNPLATED.
 - ⑨ $\varnothing 1.151 \pm 0.025$ DRILLED HOLES PLATED WITH
0.008 MIN SnPb OR Sn OVER 0.03
TO 0.08 Cu PLATING TO ACHIEVE
 $\varnothing 1.02 \pm .07$ HOLE.
 - ⑩ "DIM XXX" TO BE DETERMINED BY THE CUSTOMER.
 - ⑪ CONNECTOR KEEP-OUT ZONE.
12. THE VOID CORING IN BETWEEN POWER MODULES, SIGNAL MODULES AND END MODULES ARE OPTIONAL AND THE SHAPE MAY BE DIFFERENT FOR OPTIMIZING THE MOLDING PROCESS. THE VOID CORING WILL NOT EFFECT TO PRODUCT FUNCTION.

dr	Ruan MT	2013/07/14	projection 	MM 	size	A4	scale	1:1			
eng	Ruan MT	2013/10/16			ecn no	-					
chr	-	-			product family	PwrBlade	rel level	Released			
appr	Pei-Ming Zheng	2013/10/16	FCj		title	40S + 6P		dwg no	51940-504	rev	A
www.fci.com		cat. no.	*	Product - Customer Drw			sheet 4 of 4				