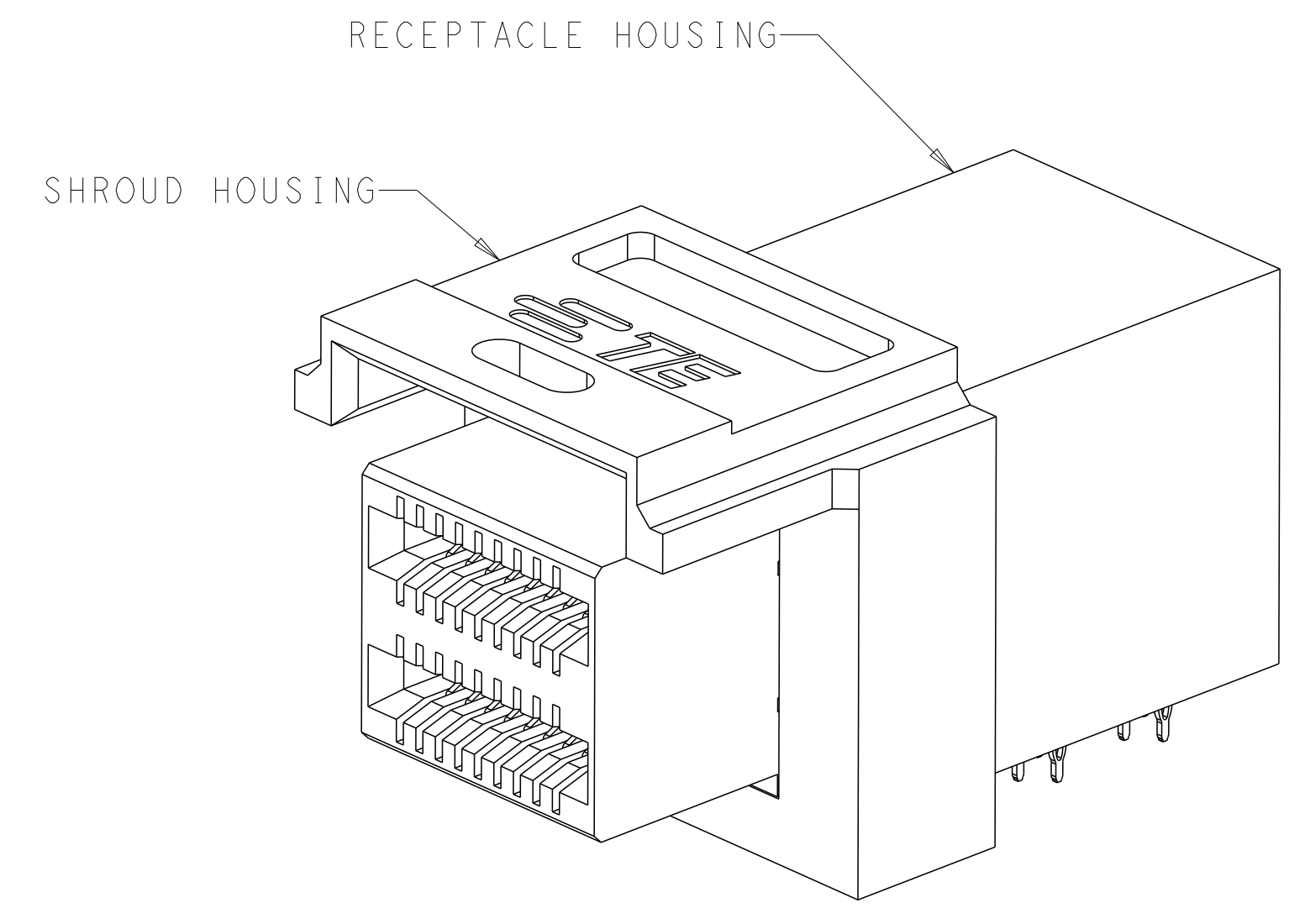
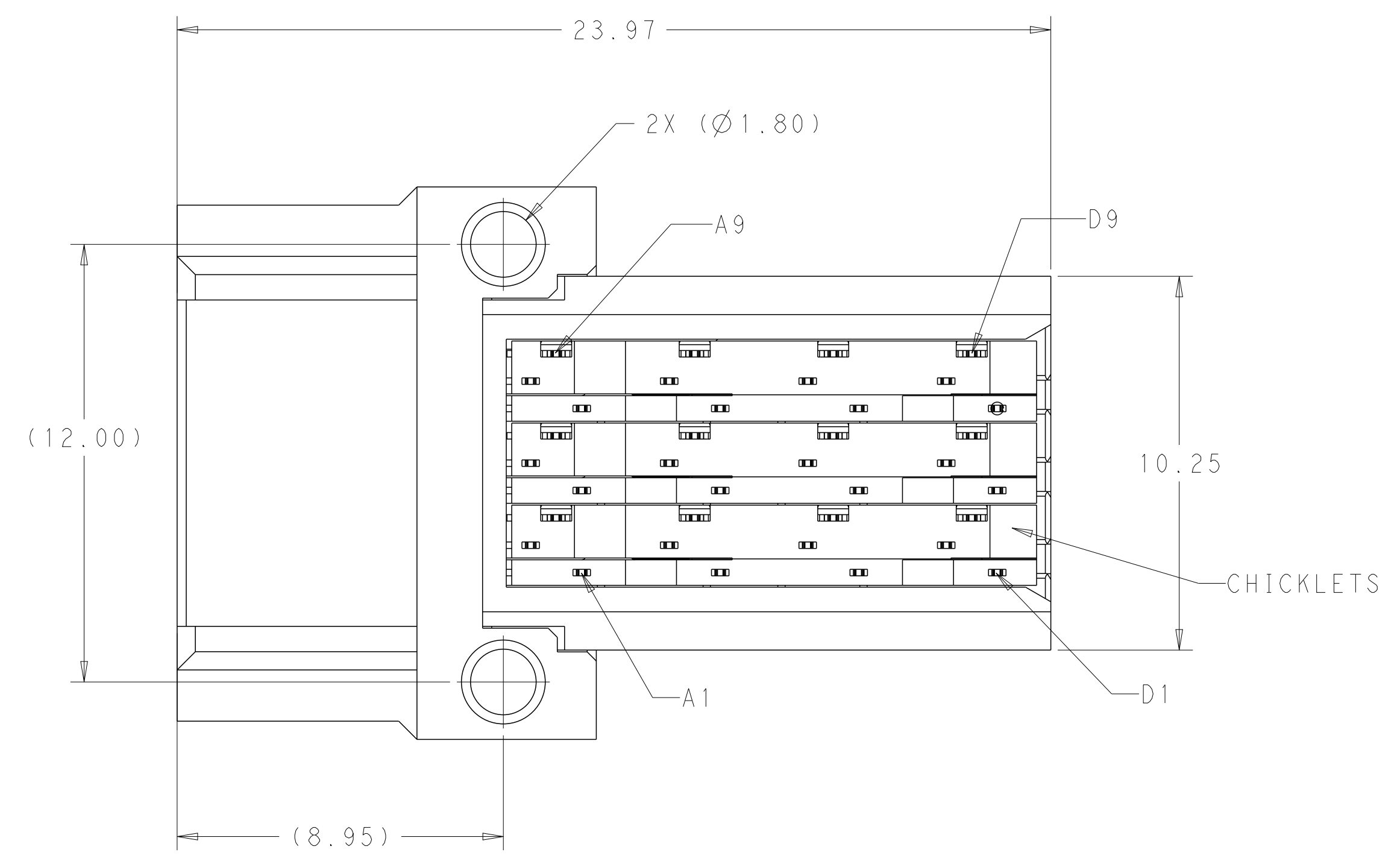
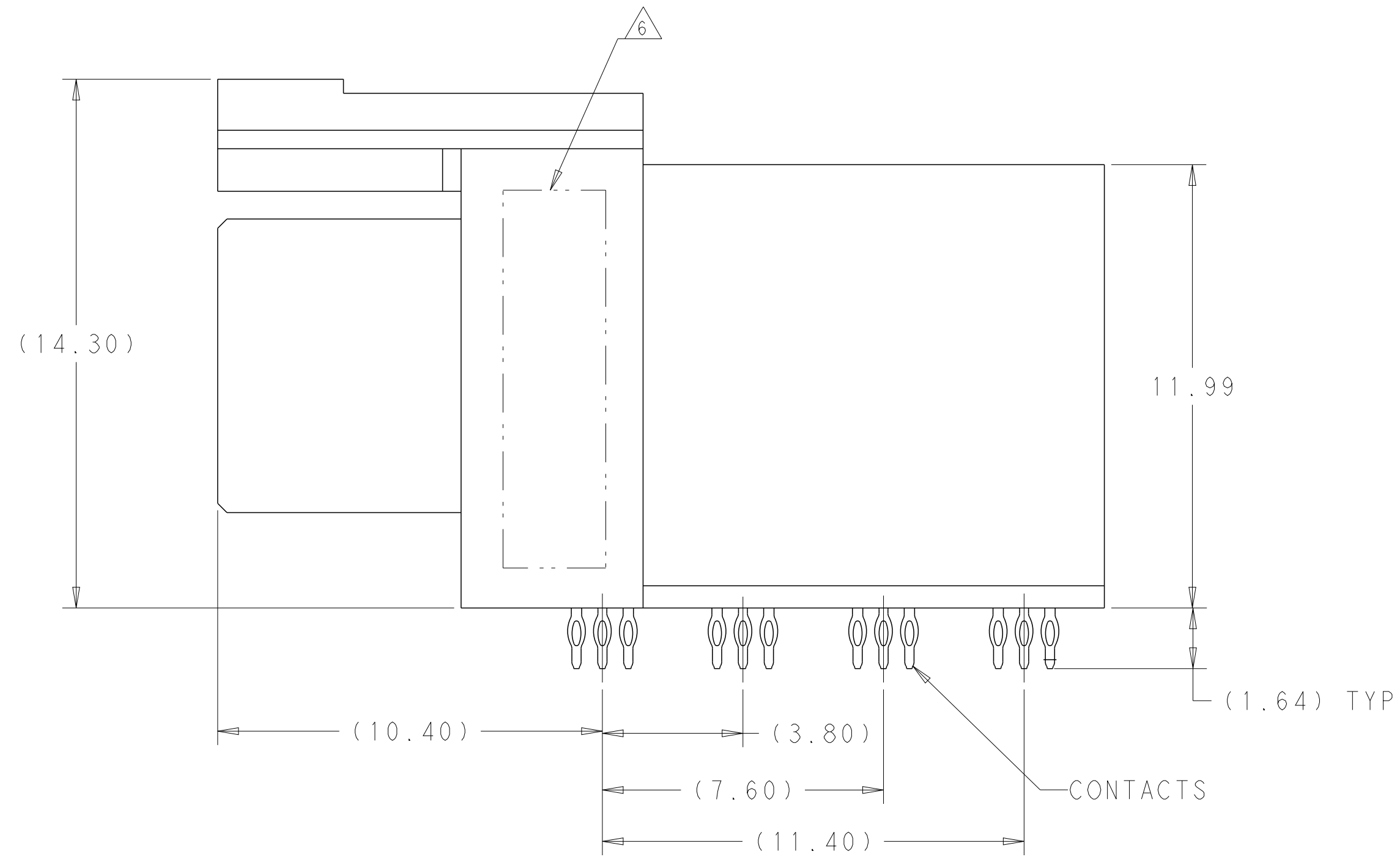
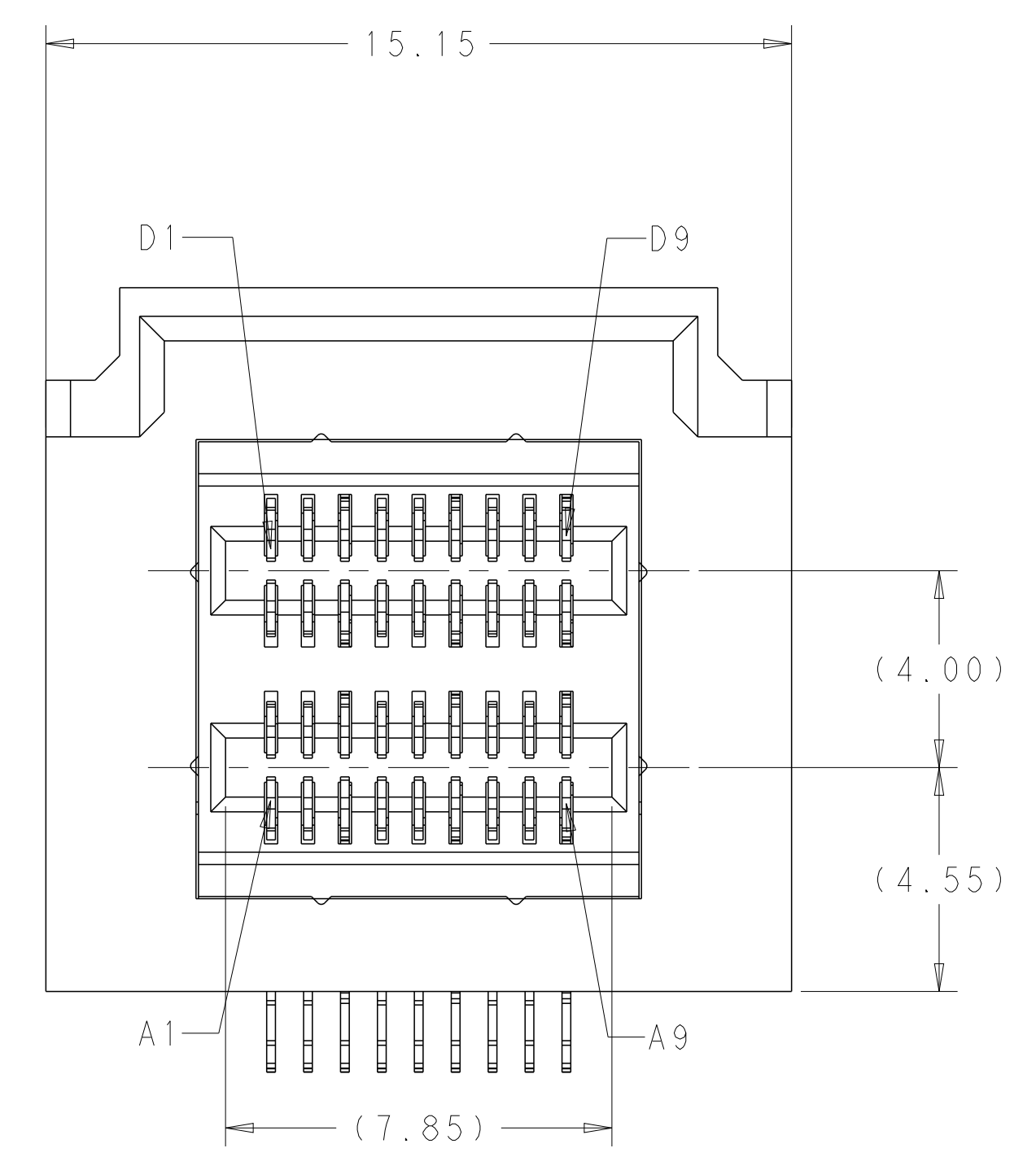


LOC		DIST		REVISIONS			
GP	00	P	LTN	DESCRIPTION	DATE	DWN	APVD
		A		REVISED PER ECO-15-000199	13JAN2015	AP	DG

- ⚠ MATERIALS
 HOUSINGS AND CHICKLETS: LCP, BLACK, UL94V-0 RATED
 CONTACTS: COPPER ALLOY
- ⚠ CONTACT FINISH: CONFORMS TO THE REQUIREMENTS OF TE PRODUCT SPECIFICATION, 108-32038 BASED ON EIA/ECA-364-1000.01A. (CONTROLLED ENVIRONMENT APPLICATIONS) ON MATING END. TIN PLATED ON PCB TAIL
- 3. MATES WITH TE PLUG 2227603-1
- 4. MOUNTING HARDWARE M2x1.35 SELF-THREADING SCREW
 SCREW LENGTH OF FASTENER = PCB THICKNESS + 3.0mm MAX (1.75mm MIN)
 MOUNTING HARDWARE NOT INCLUDED
- ⚠ RECOMMENDED COMPONENT KEEP OUT ZONE.
- ⚠ PART NUMBER AND DATE CODE MARKED IN APPROXIMATE AREA SHOWN ON OPPOSITE SIDE.

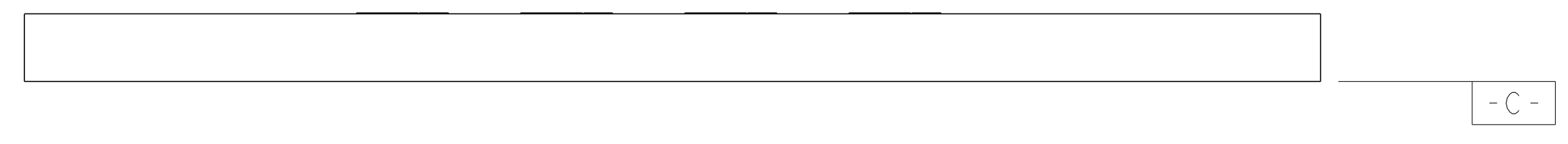
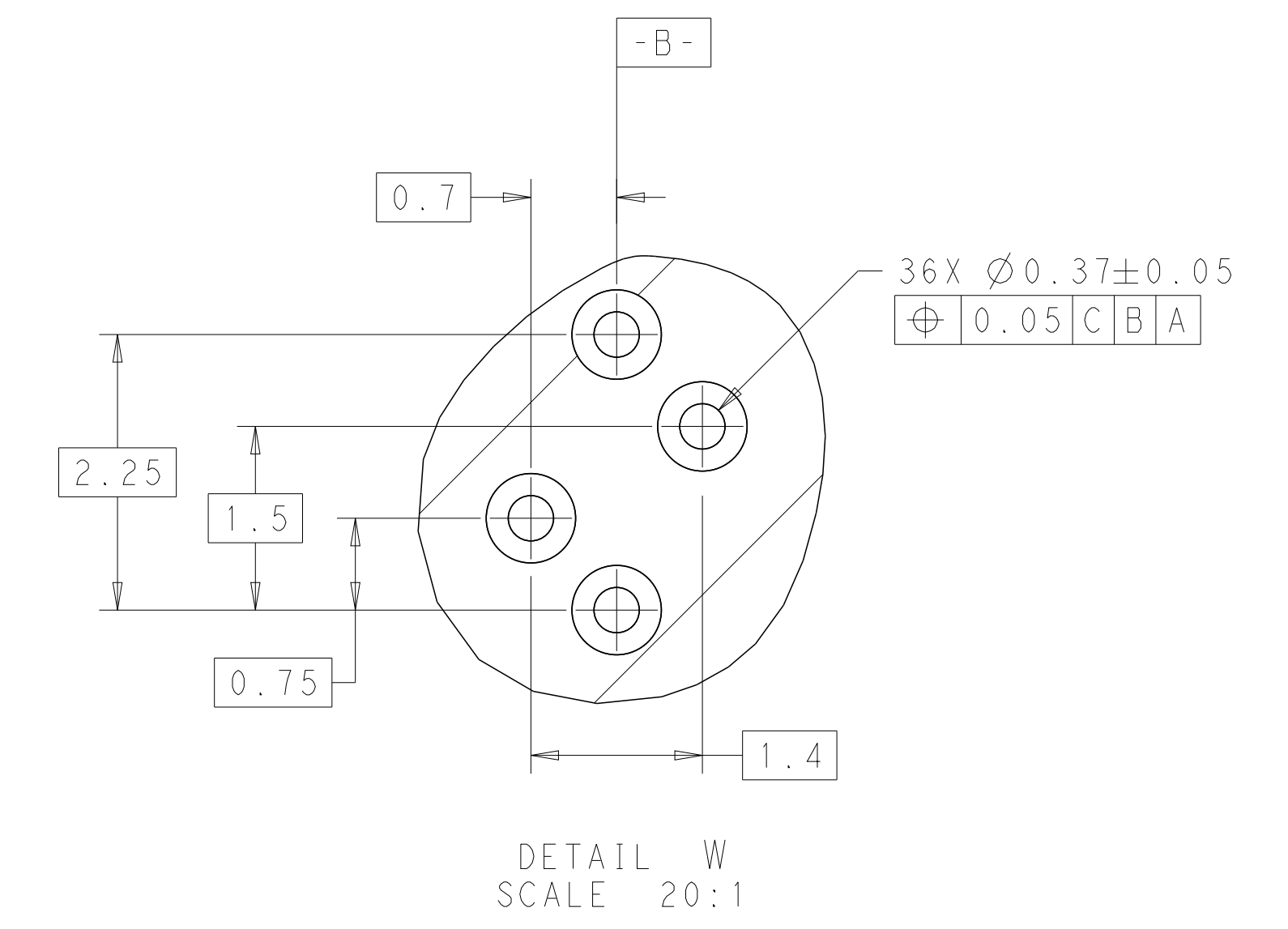
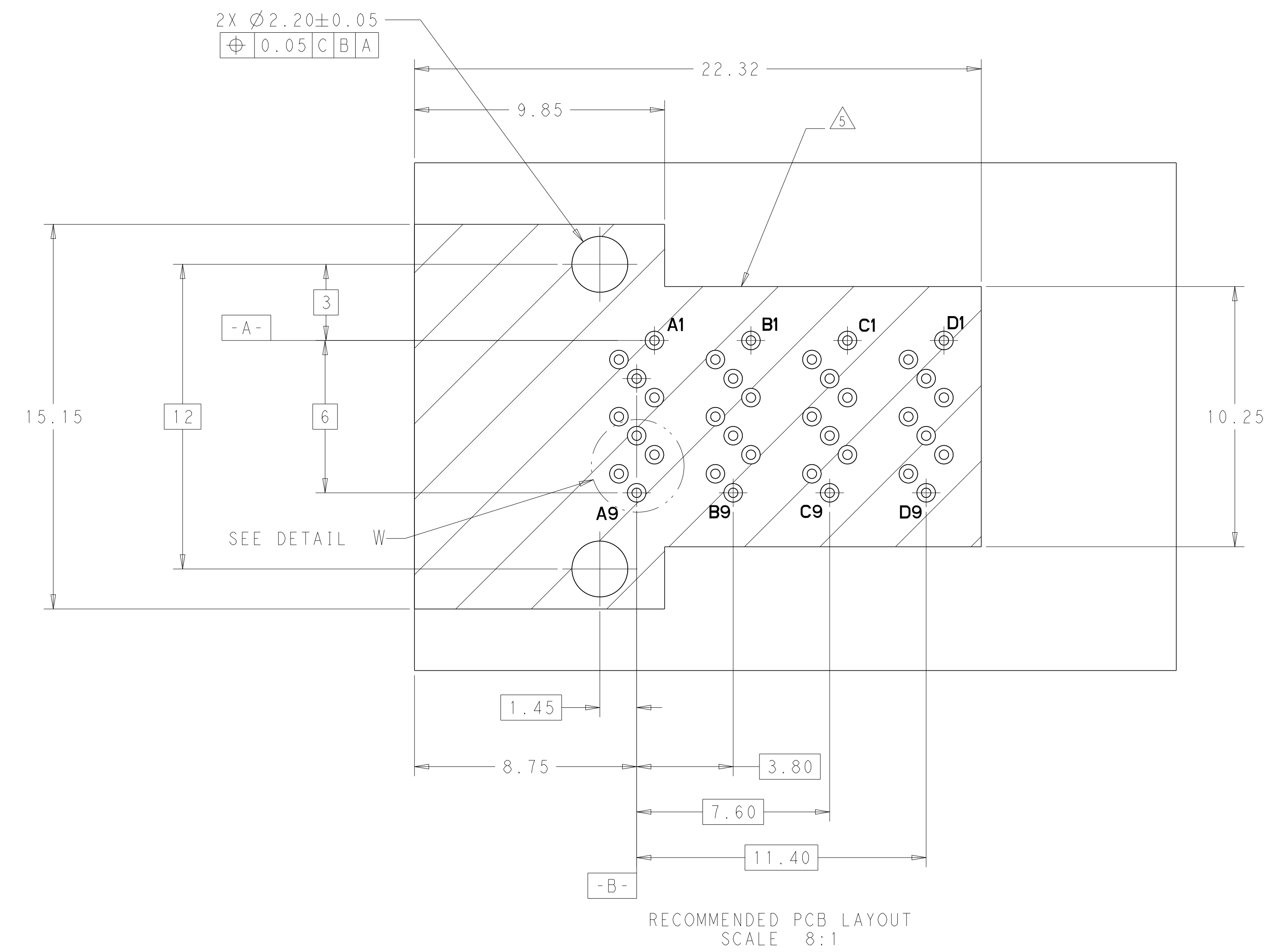


SCALE 6:1

2227580-1
 PART NUMBER

THIS DRAWING IS A CONTROLLED DOCUMENT.		DWN R. TREA 13DEC2012	TE Connectivity
		CHK R. HENRY 13DEC2012	
DIMENSIONS:	TOLERANCES UNLESS OTHERWISE SPECIFIED:	APVD -	NAME
mm	0 PLC ±	PRODUCT SPEC	RECEPTACLE ASSEMBLY,
	1 PLC ±0.13	108-32038	1X1, RIGHT ANGLE,
	3 PLC ±	APPLICATION SPEC	INTERNAL MINI SAS HD
	4 PLC ±	114-32101	SIZE CAGE CODE DRAWING NO
	ANGLES ±	WEIGHT -	A1 - C=2227580
MATERIAL	FINISH	Customer Drawing	RESTRICTED TO
		SCALE 8:1	SHEET 1 OF 2
			REV A

LOC		DIST		REVISIONS			
P	LTN	DESCRIPTION	DATE	DMN	APVD		
-	-	SEE SHEET 1	-	-	-		



THIS DRAWING IS A CONTROLLED DOCUMENT.		DMN R. TREA 13DEC2012	TE Connectivity	
DIMENSIONS: mm		CHK R. HENRY 13DEC2012	NAME RECEPTACLE ASSEMBLY, 1X1, RIGHT ANGLE, INTERNAL MINI SAS HD	
TOLERANCES UNLESS OTHERWISE SPECIFIED: 0 PLC ± 1 PLC ± 2 PLC ±0.13 3 PLC ± 4 PLC ± ANGLES ± FINISH ±		APVD -	PRODUCT SPEC 108-32038	RESTRICTED TO -
MATERIAL -		APPLICATION SPEC 114-32101	SIZE A1	Customer Drawing
		WEIGHT -	CAGE CODE C=2227580	SCALE 8:1
				SHEET 2 OF 2
				REV A