

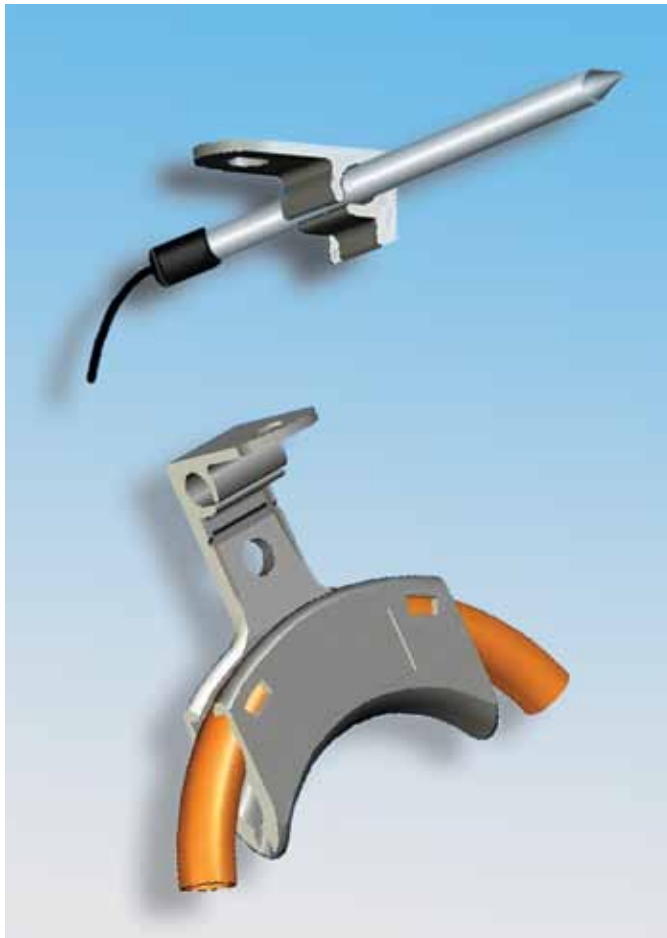


**STURDY DESIGN REPLACES  
OLD COPPER  
"ONE SIZE ONLY" CLIPS**



### Features and Benefits:

- ◇ Unit can hold three different sizes of capillary tubing 1/8", 1/4" and 3/8"
- ◇ Slots for tie anchors
- ◇ Inside tapered ridges allow tubing to be snapped in place
- ◇ Mounting in either horizontal or vertical planes
- ◇ Corner slot accepts 1/4" sensors
- ◇ Clips can be separated into two parts
  - Use one as a capillary mounting clip
  - The other part can be used as a sensor mounting bracket
- ◇ Plenum rated, class 94V-2 nylon
- ◇ Available in NATURAL, GREY & BLACK

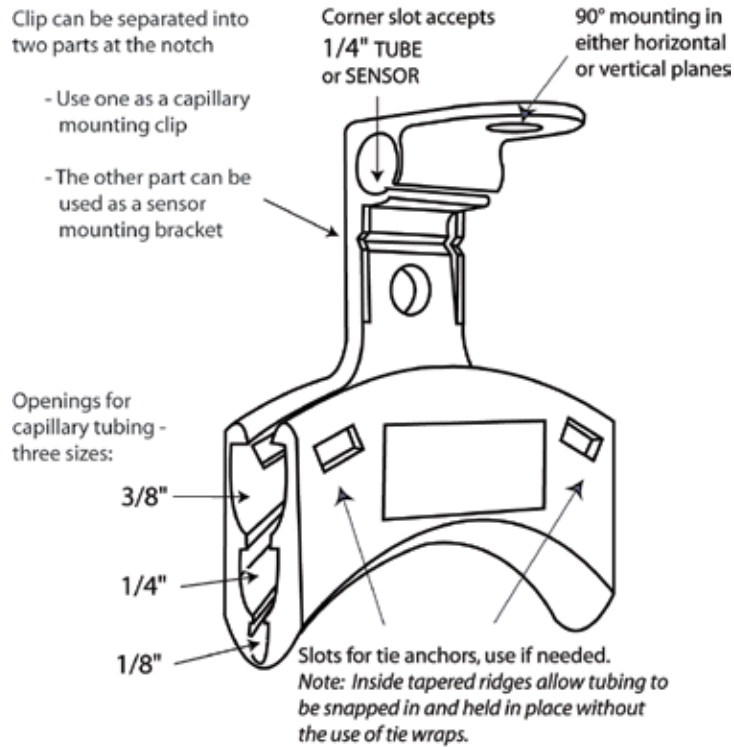


### Ordering Information:

PART NUMBER	
CC1-N.....	NATURAL
CC1-G.....	GREY
CC1-BK.....	BLACK

Custom colors and logos available (10,000 piece minimum)

**Design Enhancements:**



**Dimensions:**

