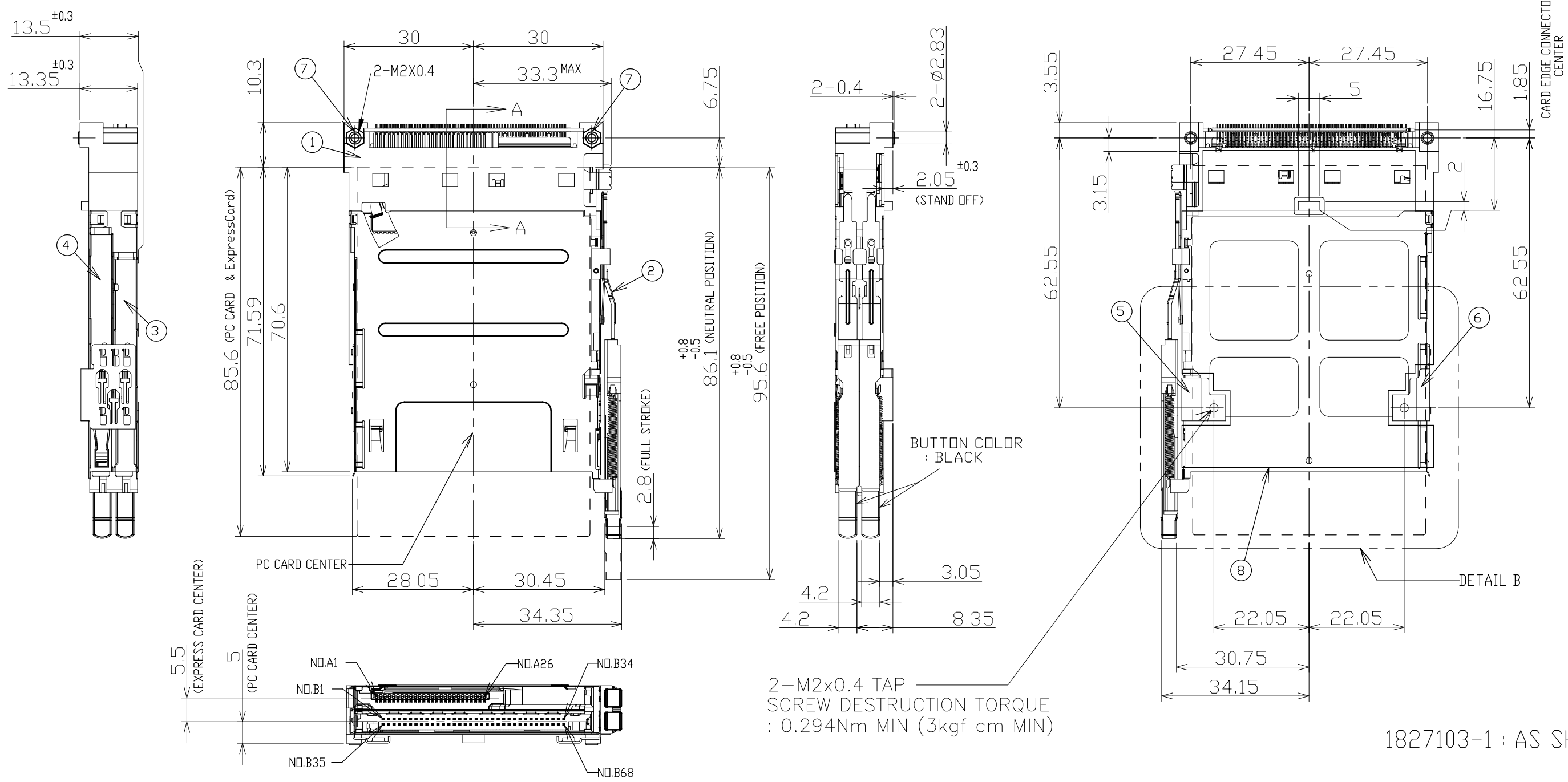


THIS DRAWING IS UNPUBLISHED. RELEASED FOR PUBLICATION
 © COPYRIGHT - BY TYCO ELECTRONICS CORPORATION. ALL RIGHTS RESERVED.

LOC	DIST	REVISIONS					
J	/	P	LTR	DESCRIPTION	DATE	DWN	APVD
		B		REVISED	11MAR2011	K.Y	S.K



QTY	NAME	ITEM
1	INSULATION SHEET	⑧
2	BUSH (M2x0.4)	⑦
1	BRACKET (L)	⑥
1	BRACKET (R)	⑤
1	LOWER SHELL	④
1	UPPER SHELL	③
1	PUSH-PUSH SUB ASSY	②
1	HEADER ASSY (TOP TYPE, RIGHT BUTTON)	①

THIS DRAWING IS A CONTROLLED DOCUMENT.

DIMENSIONS: 単位: 耗 mm	TOLERANCES UNLESS OTHERWISE SPECIFIED: 一般公差	DWN H.FUKUZAKI 10JUN2005	Tyco Electronics Corporation Kawasaki, Japan	
	0 PLC ± - 1 PLC ± - 2 PLC ± - 3 PLC ± - 4 PLC ± - ANGLES ± -	CHK Y.WATANABE 10JUN2005	NAME Y.YAMAMOTO 10JUN2005	
		PRODUCT SPEC 製品規格 108-78210	EXPRESS-CARDBUS COMBO SLOT TOP MOUNT TYPE PUSH-PUSH RIGHT BUTTON	
MATERIAL 材料	FINISH 仕上	APVD Y.YAMAMOTO 10JUN2005	SIZE A3	CAGE CODE 00779
CUSTOMER DRAWING		APPLICATION SPEC 取付適用規格	DRAWING NO 番号 G-1827103	RESTRICTED TO
		WEIGHT 38.66g	SCALE 尺度 1:1	SHEET 1 OF 4
				REV B

4

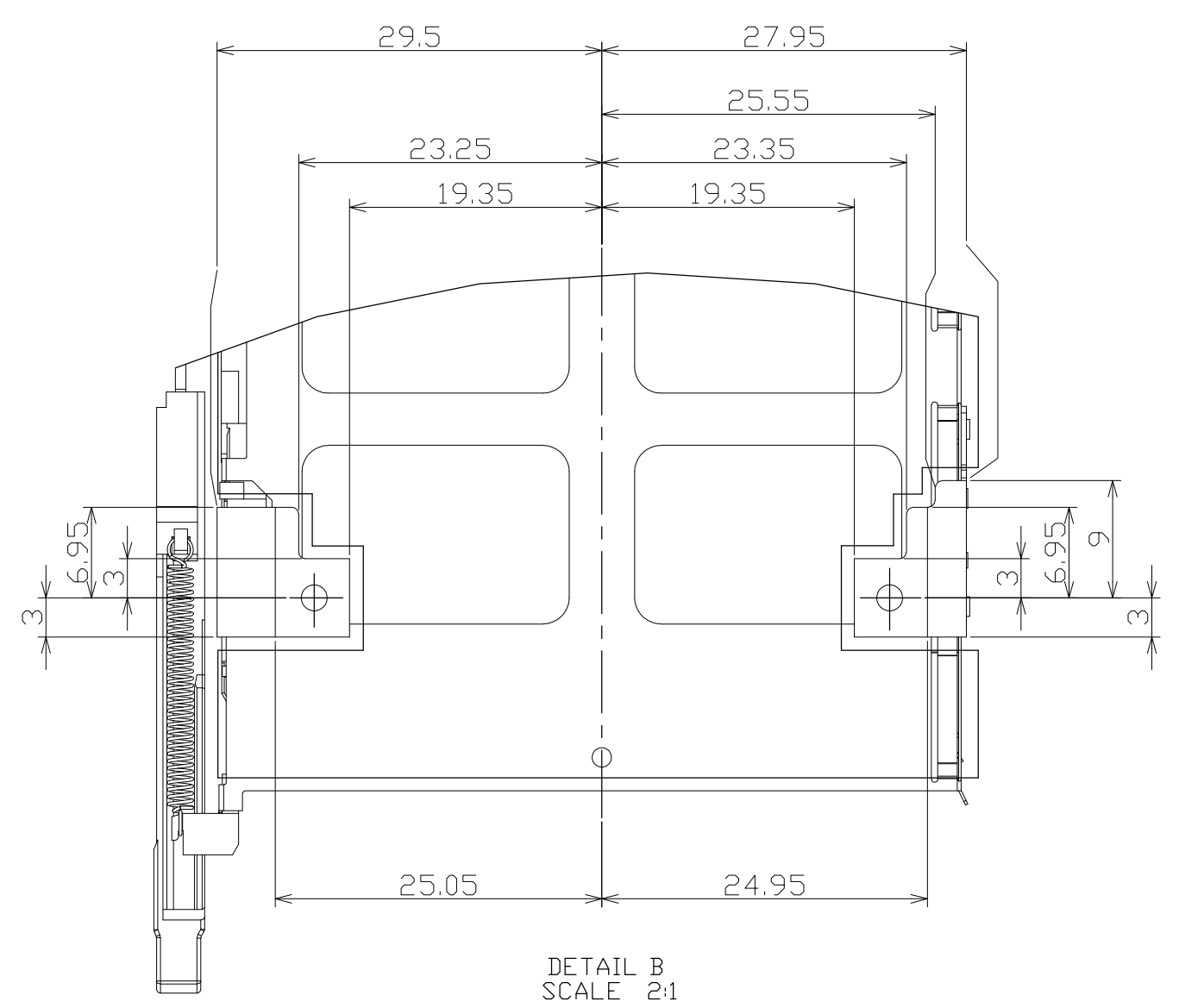
3

2

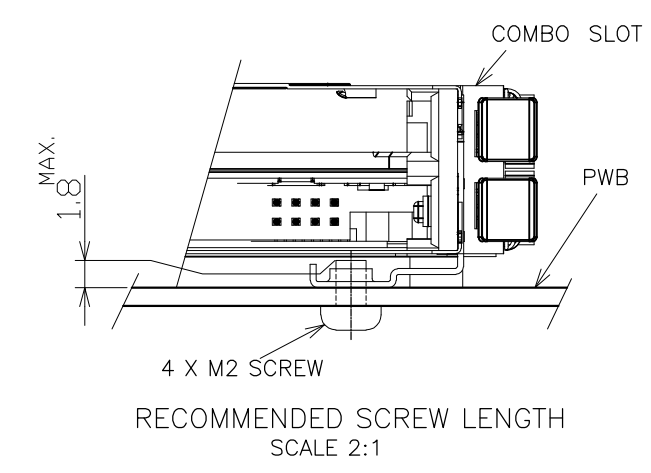
1

THIS DRAWING IS UNPUBLISHED. RELEASED FOR PUBLICATION
 © COPYRIGHT BY TYCO ELECTRONICS CORPORATION. ALL RIGHTS RESERVED.

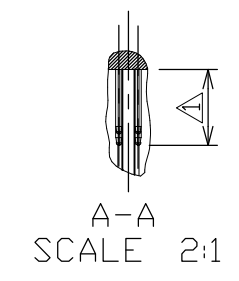
LOC	DIST	REVISIONS					
J		P	LTR	DESCRIPTION	DATE	DWN	APVD
		-		SEE SHEET 1	-	-	-



DETAIL B
SCALE 2:1



RECOMMENDED SCREW LENGTH
SCALE 2:1



A-A
SCALE 2:1

TABLE-1

POST LENGTH	5	3.5	4.25
CIRCUIT NO.	1,17,34,35,51,68	36,67	OTHERS

THIS DRAWING IS A CONTROLLED DOCUMENT.		DWN	Tyco Electronics Corporation Kawasaki, Japan		
DIMENSIONS: 単位: 耗 mm		CHK	NAME 名称		
TOLERANCES UNLESS OTHERWISE SPECIFIED: 一般公差		APVD	EXPRESS-CARDBUS COMBO SLOT TOP MOUNT TYPE PUSH-PUSH RIGHT BUTTON		
0 PLC ± - 1 PLC ± - 2 PLC ± 3 PLC ± 4 PLC ± ANGLES ±		PRODUCT SPEC 製品規格	SIZE	CAGE CODE	DRAWING NO 番号
MATERIAL 材料		APPLICATION SPEC 取付適用規格	A3	00779	G-1827103
FINISH 仕上		WEIGHT	CUSTOMER DRAWING		RESTRICTED TO
		SCALE 尺度	1:1	SHEET 2	OF 4 REV B

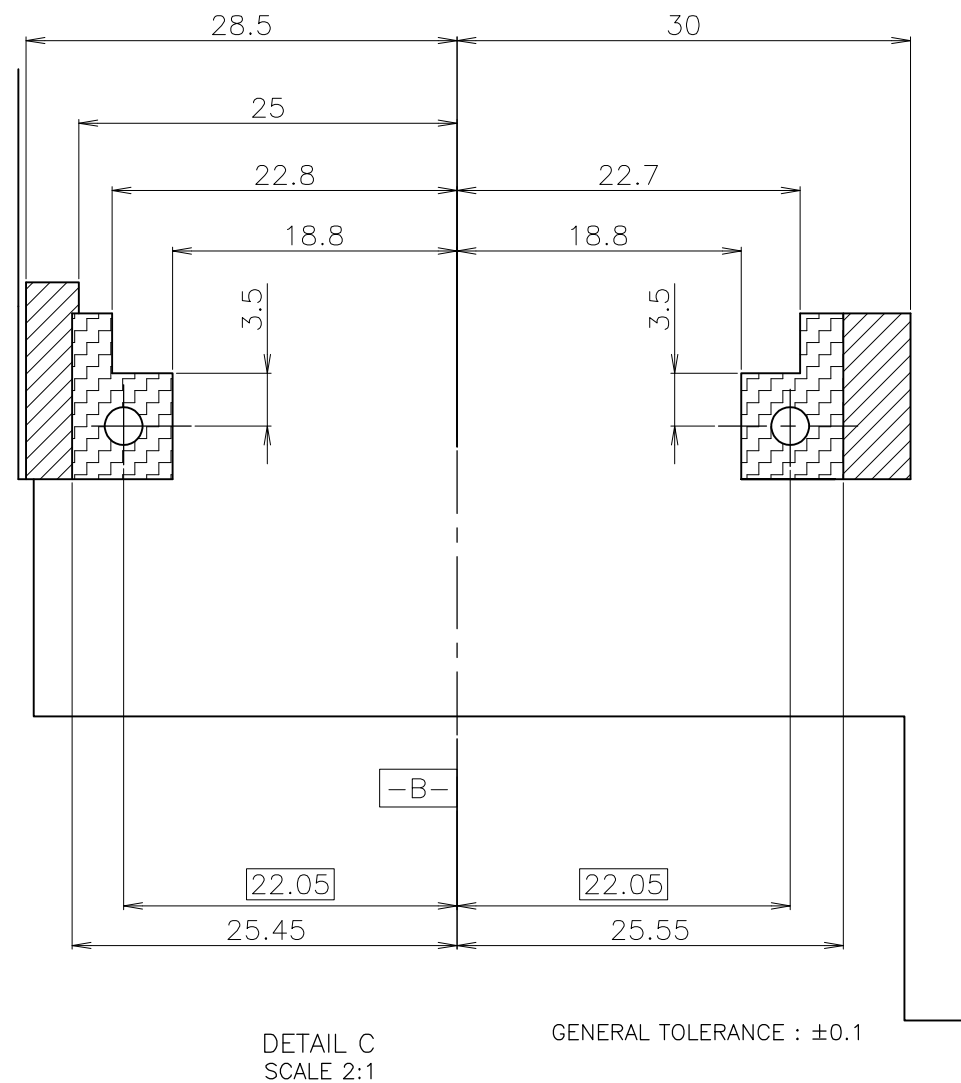
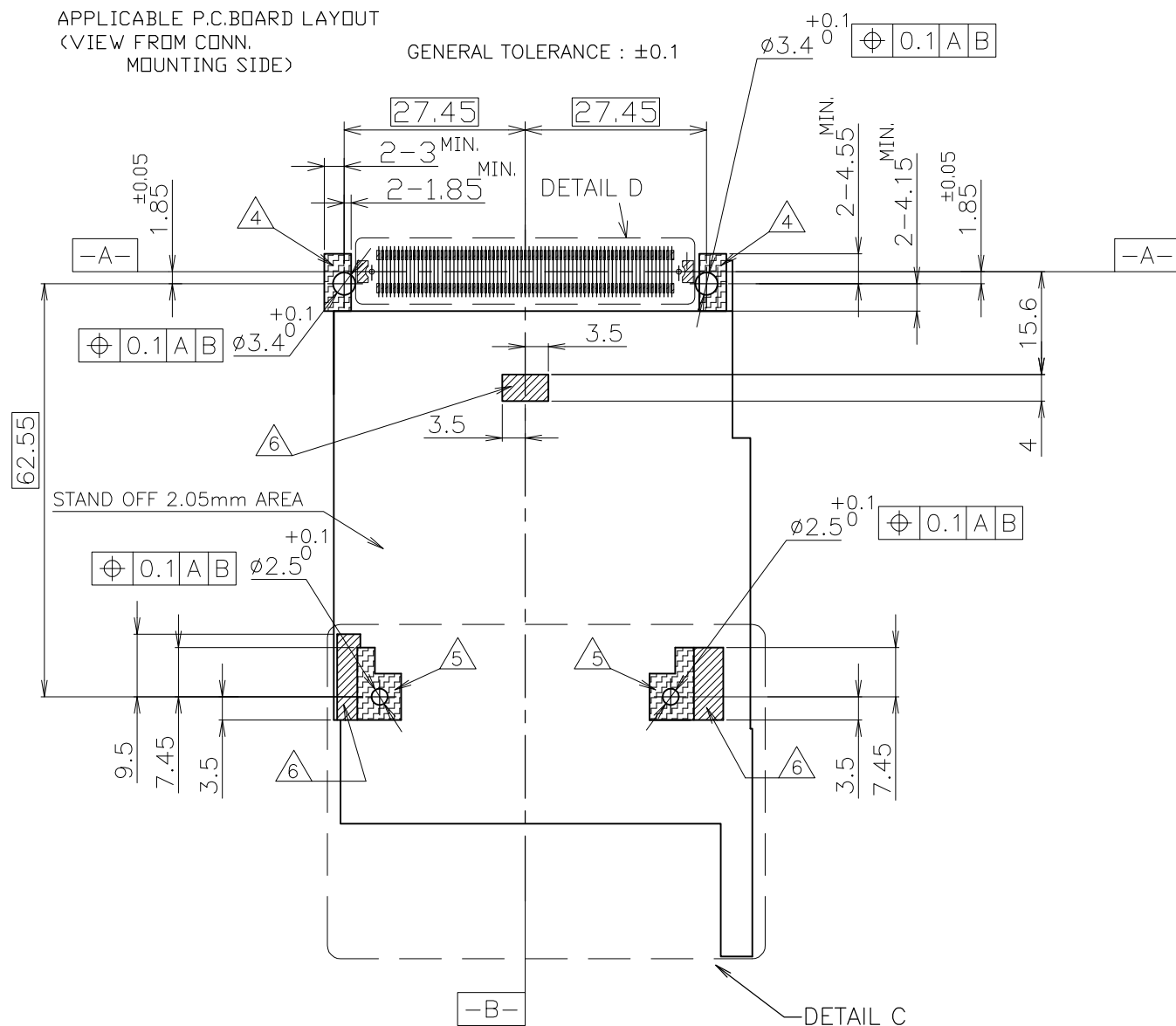
THIS DRAWING IS UNPUBLISHED. RELEASED FOR PUBLICATION

© COPYRIGHT BY TYCO ELECTRONICS CORPORATION. ALL RIGHTS RESERVED.

LOC	DIST	REVISIONS			DATE	DWN	APVD
J		P	LTR	DESCRIPTION			
		-	-	SEE SHEET 1	-	-	-

APPLICABLE P.C.BOARD LAYOUT
(VIEW FROM CONN.
MOUNTING SIDE)

GENERAL TOLERANCE : ±0.1



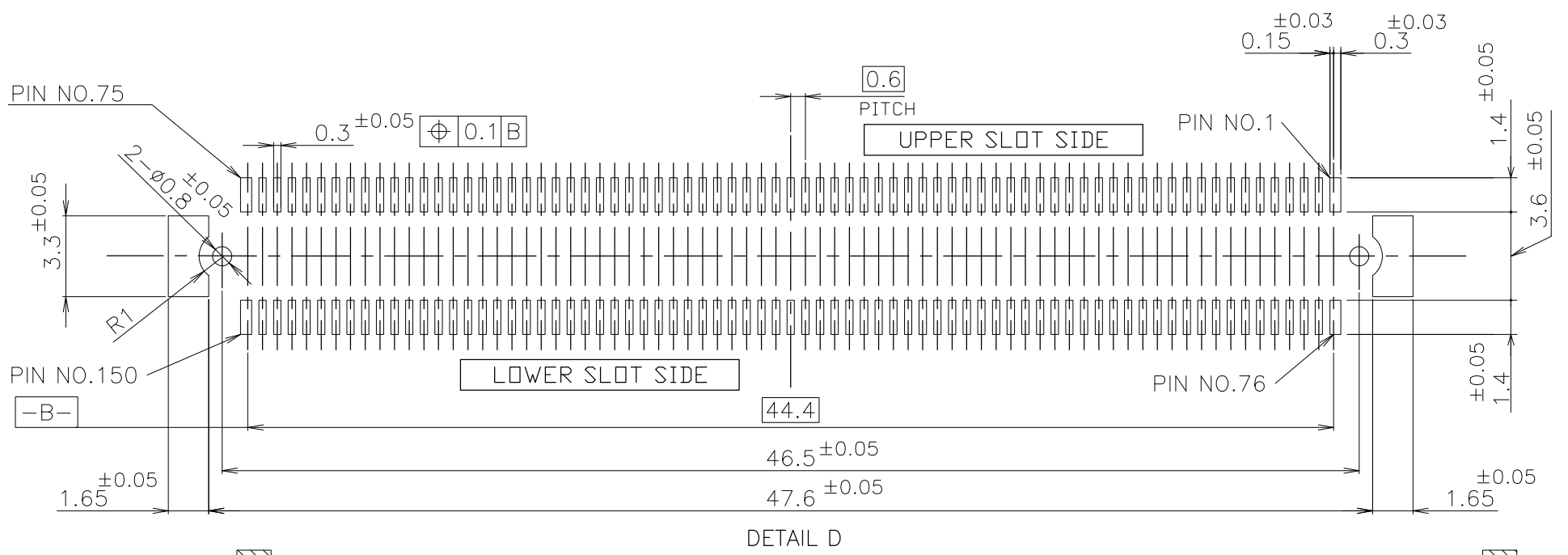
NOTE

- 1 REFER TO TABLE 1 FOR POST CONTACT LENGTH.
- 2 RECOMMENDED TIGHTENING TORQUE
: FROM 0.15N·m(1.5kg·cm) TO 0.2N·m(2kg·cm)
- 3 APPLIED CARD: PCMCIA ATTRIBUTE PC CARD.
- 4 NO ELECTRONICS COMPONENTS.(NO SIGNAL LINE AREA)
- 5 GROUNDING PAD.
- 6 NO COMPONENT AREA.
- 7 GENERAL TOLERANCE : ±0.5 , ±3°
- 8 THE AXIAL FORCE TO SCREW WHEN MOUNTING CARDBUS
: 14.7N(1.5kgf)MAX.

THIS DRAWING IS A CONTROLLED DOCUMENT.		DWN	Tyco Electronics Corporation Kawasaki, Japan		
DIMENSIONS: 単位: 耗 mm		CHK	NAME 名称		
TOLERANCES UNLESS OTHERWISE SPECIFIED: 一般公差		APVD	EXPRESS-CARDBUS COMBO SLOT TOP MOUNT TYPE PUSH-PUSH RIGHT BUTTON		
0 PLC ±		PRODUCT SPEC 製品規格	SIZE	CAGE CODE	DRAWING NO 番号
1 PLC ±		APPLICATION SPEC 取付適用規格	A3	00779	G-1827103
2 PLC ±		WEIGHT	RESTRICTED TO		
3 PLC ±			SCALE 1:1		
4 PLC ±			SHEET 3 OF 4		
ANGLES ±			REV B		
FINISH 仕上		CUSTOMER DRAWING			

THIS DRAWING IS UNPUBLISHED. RELEASED FOR PUBLICATION
 © COPYRIGHT BY TYCO ELECTRONICS CORPORATION. ALL RIGHTS RESERVED.

LOC	DIST	REVISIONS		
J		P	LTR	DESCRIPTION
		-	-	SEE SHEET 1
				DATE
				DWN
				APVD



0.6mm PITCH CARD EDGE CONNECTOR FOR THIS CARDBUS PRODUCTS	
PARTS NUMBER	DESCRIPTION
6123215-1	HARD TRAY ASSY
6376045-1	DN TAPING(EMBOSS)

PIN ASSIGNMENT FOR TOP MOUNT

COMMON		UPPER SLOT		LOWER SLOT	
PIN NO.	EXPRESS CARD	PIN NO.	EXPRESS CARD	PIN NO.	REC CONN
	SIGNAL NAME		SIGNAL NAME		150P
B35	A1	150	GND	75	COMMON
B34	A2	149	GND	74	COMMON
B33	A3	148	USB D-	73	
B32	A4	147	USB D+	72	
B31	A5	146	GND	71	
B30	A6	145	CP USB#	70	
B29	A7	144	GND	69	
B28	A8	143	RESERVED	68	
B27	A9	142	GND	67	
B26	A10	141	RESERVED	66	
B25	A11	140	GND	65	
B24	A12	139	N/C	64	
B23	A13	138	GND	63	
B22	A14	137	GND	62	
B21	A15	136	SMBCLK	61	
B20	A16	135	SMBDATA	60	
B19	A17	134	GND	59	
B18	A18	133	+1.5V	58	
B17	A19	132	WAKE#	57	
B16	A20	131	GND	56	
B15	A21	130	GND	55	
B14	A22	129	GND	54	
B13	A23	128	GND	53	
B12	A24	127	GND	52	
B11	A25	126	GND	51	
B10	A26	125	GND	50	
B9		124	PERST#	49	
B8		123	+3.3V	48	
B7		122	GND	47	
B6		121	GND	46	
B5		120	CLKREQ#	45	
B4		119	GND	44	
B3		118	GND	43	
B2		117	GND	42	
B1		116	GND	41	
		115	GND	40	
		114	GND	39	
		113	GND	38	
		112	GND	37	
		111	GND	36	
		110	REFCLK-	35	
		109	REFCLK+	34	
		108	GND	33	
		107	GND	32	
		106	GND	31	
		105	GND	30	
		104	GND	29	
		103	PERn0	28	
		102	PERp0	27	
		101	GND	26	
		100	GND	25	
		99	PEIn0	24	
		98	PEIp0	23	
		97	GND	22	
		96	GND	21	
		95	GND	20	
		94	GND	19	
		93	GND	18	
		92	GND	17	
		91	GND	16	
		90	GND	15	
		89	GND	14	
		88	GND	13	
		87	GND	12	
		86	GND	11	
		85	GND	10	
		84	GND	9	
		83	GND	8	
		82	GND	7	
		81	GND	6	
		80	GND	5	
		79	GND	4	
		78	GND	3	
		77	GND	2	
		76	GND	1	

THIS DRAWING IS A CONTROLLED DOCUMENT.

DIMENSIONS: 单位: 耗 mm

TOLERANCES UNLESS OTHERWISE SPECIFIED: 一般公差

0 PLC	±
1 PLC	±
2 PLC	±
3 PLC	±
4 PLC	±
ANGLES	±

MATERIAL 材料

FINISH 仕上

PRODUCT SPEC 製品規格

APPLICATION SPEC 取付適用規格

WEIGHT

CUSTOMER DRAWING

DWN

CHK

APVD

Tyco Electronics Tyco Electronics Corporation Kawasaki, Japan

NAME 名称 EXPRESS-CARDBUS COMBO SLOT TOP MOUNT TYPE PUSH-PUSH RIGHT BUTTON

SIZE A3 CAGE CODE 00779 DRAWING NO 番号 1827103 RESTRICTED TO

SCALE 尺度 1:1 SHEET 4 OF 4 REV B