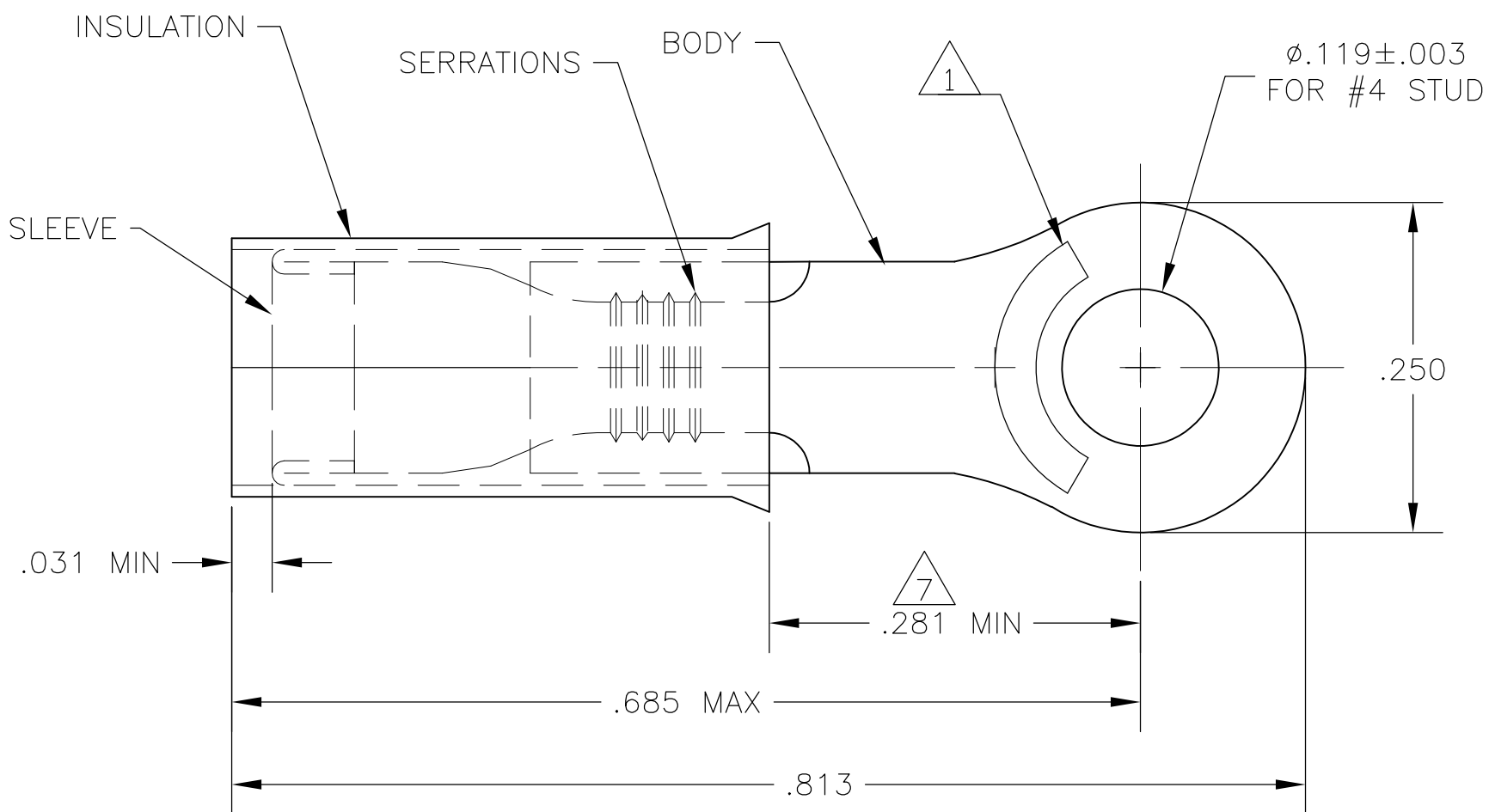


THIS DRAWING IS UNPUBLISHED. RELEASED FOR PUBLICATION  
 © COPYRIGHT - By - ALL RIGHTS RESERVED.

| LOC | DIST | REVISIONS   |                           |         |        |
|-----|------|-------------|---------------------------|---------|--------|
| P   | LTR  | DESCRIPTION | DATE                      | DWN     | APVD   |
| G   | 14   | E2          | REVISED PER ECO-11-005027 | 11MAR11 | RK HMR |

|                                |                                |                                |
|--------------------------------|--------------------------------|--------------------------------|
| <b>AMP</b><br>WIRE RANGE       | Listed                         | LR7189<br>Certified            |
| 16-14 AWG<br>SOLID OR STRANDED | 16-14 AWG<br>SOLID OR STRANDED | 16-14 AWG<br>SOLID OR STRANDED |



- 1 STAMP AMP 16-14\*, APPROX AS SHOWN.
- 2 TONGUE THICKNESS IS .031±.002
- 3 FOR .105-.150 WIRE INSULATION DIA
- 4 MAX RECOMMENDED OPERATING TEMP IS 105°C.
- 5 300 VOLT MAX RATING.
- 6 WIRE CROSS SECTIONAL AREA RANGE 1.04-2.62mm [2,050-5,180 CIR MILS]
- 7 APPLIES FROM EDGE OF METAL WIRE BBL TO CENTER OF STUD HOLE.

|          |      |               |  |                       |
|----------|------|---------------|--|-----------------------|
| OBSOLETE | 5000 | ON TAPE, REEL | BODY & SLEEVE: COPPER PER ASTM B152<br>TIN PL. PER ASTM B-545<br>INSULATION: NYLON PER ASTM D4066, TYPE I<br>COLOR: BLUE | <del>2 323676 1</del> |
|          | -    | LOOSE PIECE   |  | 323676                |
|          | QTY  | PACKAGING     | MATERIAL / FINISH  | PART NO               |

|  |  |                                 |  |  |  |
|--|--|---------------------------------|--|--|--|
| THIS DRAWING IS A CONTROLLED DOCUMENT. |  | DWN<br>jr_ruth<br>01MAR10       | TE Connectivity  |  |  |
| DIMENSIONS: INCHES                     |  | CHK<br>T MICHELUTTI<br>01MAR10  |  |  |  |
| TOLERANCES UNLESS OTHERWISE SPECIFIED: |  | APVD<br>T MICHELUTTI<br>01MAR10 | WIRE TERMINAL<br>PIDG, RING TONGUE<br>WIRE SIZE: 16-14 |  |  |
| 0 PLC ± -                              |  | PRODUCT SPEC                    | SIZE   |  |  |
| 1 PLC ± -                              |  | UL486B                          | CAGE CODE  |  |  |
| 2 PLC ± -                              |  | APPLICATION SPEC                | DRAWING NO   |  |  |
| 3 PLC ± .008                           |  | 114-2157                        | RESTRICTED TO  |  |  |
| 4 PLC ± -                              |  | WEIGHT                          | A3 00779 C-323676                                      |  |  |
| ANGLES ± 1°                            |  | FINISH                          | SCALE 8:1  |  |  |
| MATERIAL SEE TABLE                     |  | SEE TABLE                       | SHEET 1 OF 1   |  |  |
|  |  | CUSTOMER DRAWING                | REV E2   |  |  |