

4

3

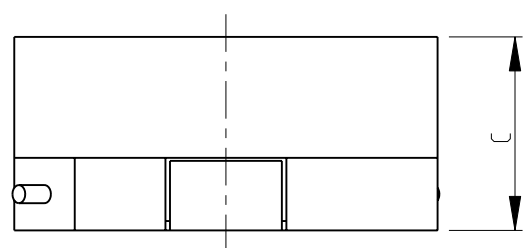
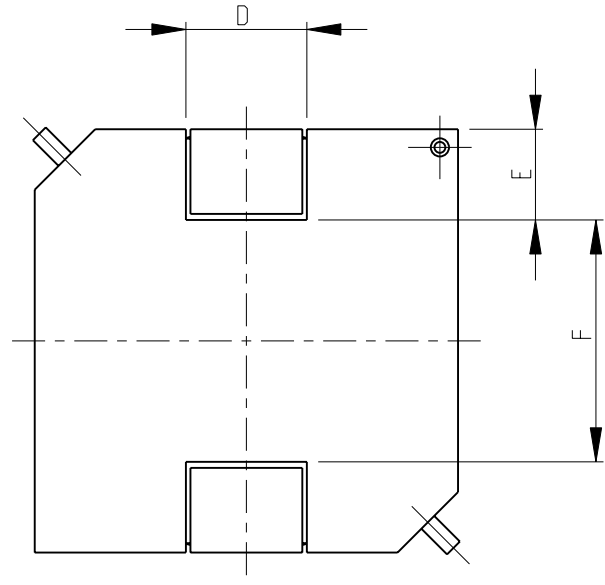
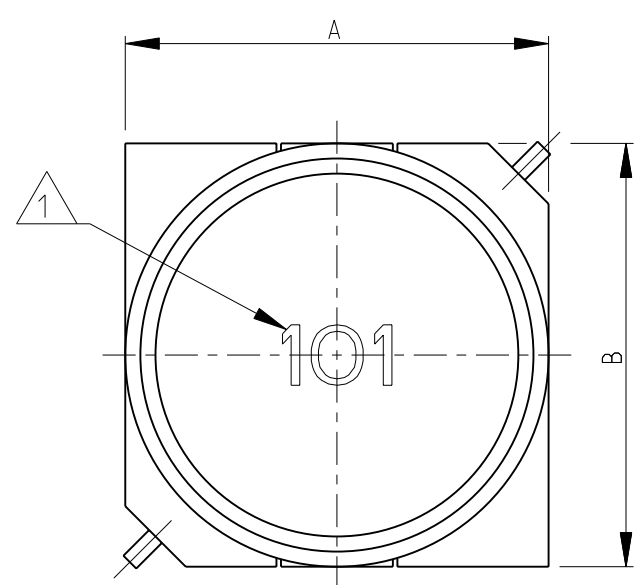
2

1

THIS DRAWING IS UNPUBLISHED. RELEASED FOR PUBLICATION 2008

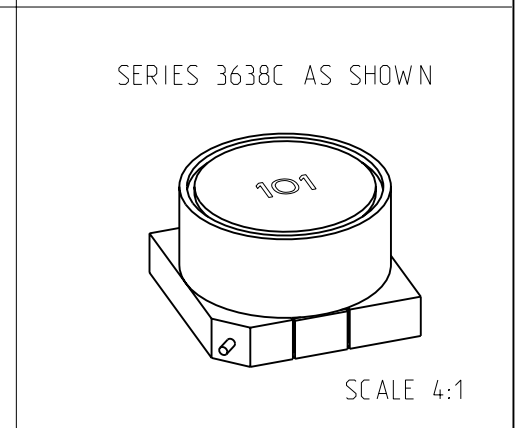
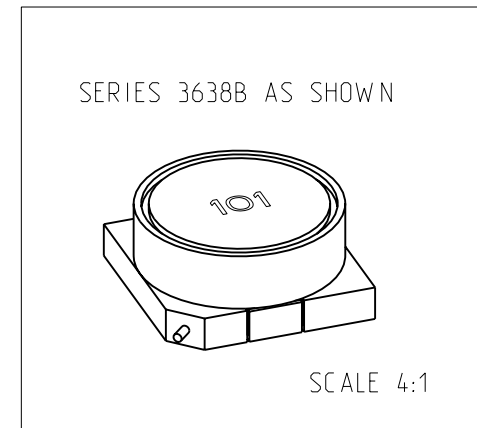
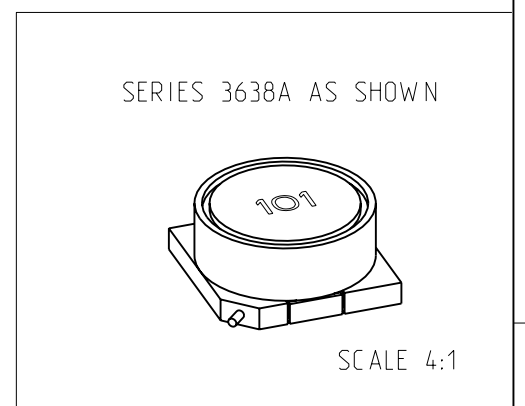
© COPYRIGHT 2008 BY TYCO ELECTRONICS CORPORATION. ALL RIGHTS RESERVED.

LOC	DIST	REVISIONS			
P	LTR	DESCRIPTION	DATE	DWN	APVD
E	B	A	NEW RELEASE	14-NOV-08	SM St.P

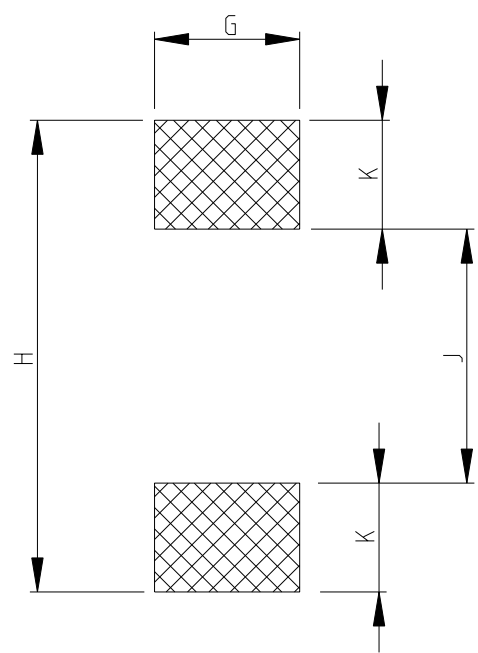


- 1 INDUCTANCE CODE
- 2 AVAILABLE IN 3 DIFFERENT PACKAGES.
- 3 FOR FURTHER INFORMATION SEE DATA SHEET FOR 3638 SERIES-SHIELDED SMD POWER INDUCTORS

RoHS Compliant



RECOMMENDED LAND PATTERN



3638C	7.0±0.3	7.0±0.3	4.5±0.3	2.0	1.5	4.0	2.4	7.8	1.8	4.2
3638B	7.0±0.3	7.0±0.3	3.2±0.3	2.0	1.5	4.0	2.4	7.8	1.8	4.2
3638A	6.0±0.3	6.0±0.3	2.8±0.3	2.0±0.3	1.9	2.2	2.4	6.7	2.3	2.1
SERIES	A	B	C	D	E	F	G REF.	H REF.	K REF.	J REF.

THIS DRAWING IS A CONTROLLED DOCUMENT FOR TYCO ELECTRONICS CORPORATION. IT IS SUBJECT TO CHANGE AND THE CONTROLLING ENGINEERING ORGANIZATION SHOULD BE CONTACTED FOR THE LATEST REVISION.

DWN	SUBHASH.M	14-NOV-08	Tyco Electronics Corporation Dorcan, Swindon, SN3 5HH
CHK	PRAKASH.S	14-NOV-08	
APVD	STEPHEN.P	14-NOV-08	
PRODUCT SPEC			NAME
APPLICATION SPEC			SHIELDED SMD POWER INDUCTOR SERIES 3638
WEIGHT			SIZE
MATERIAL			CAGE CODE
FINISH			DRAWING NO
DIMENSIONS: mm			RESTRICTED TO
TOLERANCES UNLESS OTHERWISE SPECIFIED:			SCALE
0 PLC ± 0.2			SHEET
1 PLC ± 0.1			OF
2 PLC ± -			REV
3 PLC ± -			A
4 PLC ± -			
ANGLES ± 5°			
MATERIAL -			
FINISH -			
CUSTOMER DRAWING			