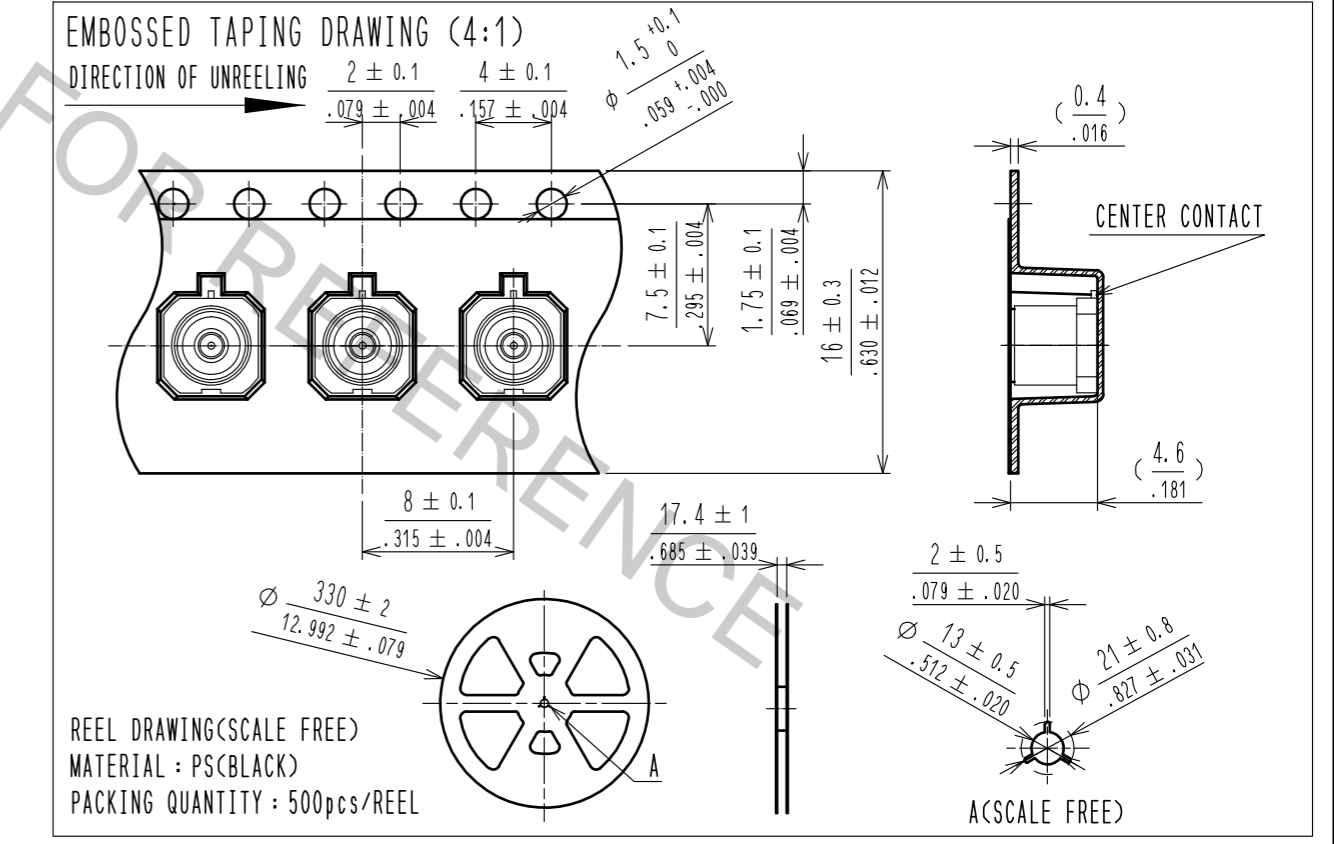
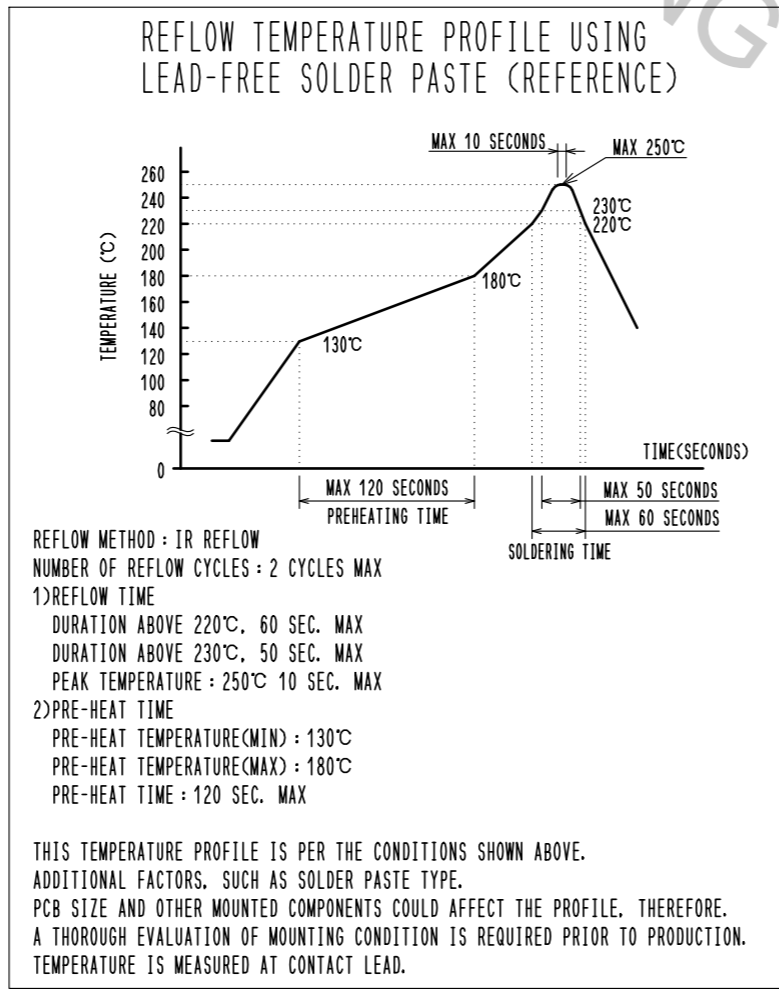
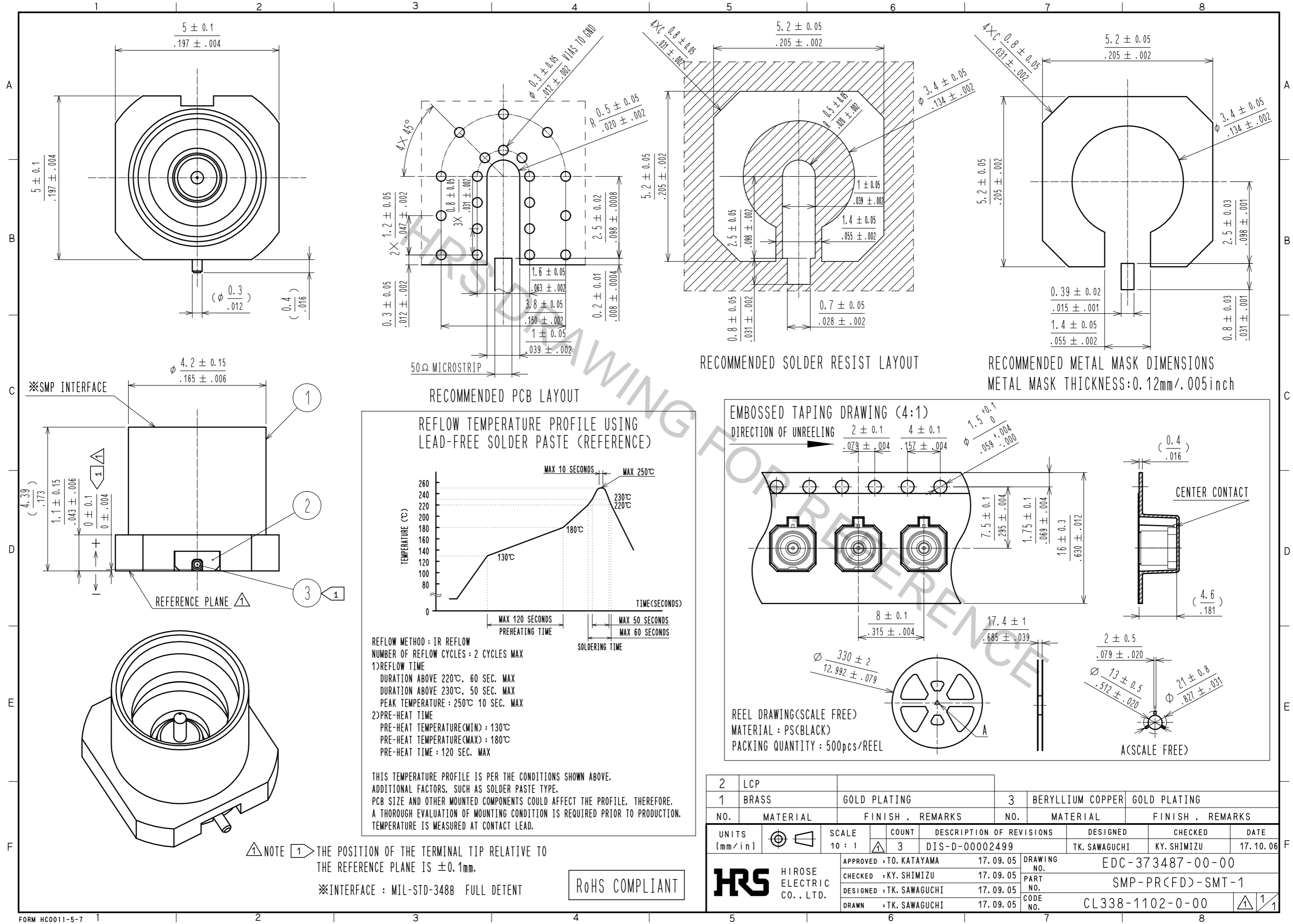


Aug.1.2018 Copyright 2018 HIROSE ELECTRIC CO., LTD. All Rights Reserved.
 In case that the application demands a high level of reliability, such as automotive,
 please contact a company representative for further information.



2	LCP		3	BERYLLIUM COPPER	GOLD PLATING				
1	BRASS	GOLD PLATING							
NO.	MATERIAL	FINISH	REMARKS	NO.	MATERIAL	FINISH	REMARKS		
UNITS	[mm/in]	SCALE	10 : 1	COUNT	3	DESCRIPTION OF REVISIONS	DESIGNED	CHECKED	DATE
APPROVED : TO. KATAYAMA 17.09.05				DRAWING NO.		EDC-373487-00-00			
CHECKED : KY. SHIMIZU 17.09.05				PART NO.		SMP-PR(FD)-SMT-1			
DESIGNED : TK. SAWAGUCHI 17.09.05				CODE NO.		CL338-1102-0-00			
DRAWN : TK. SAWAGUCHI 17.09.05									

NOTE 1 THE POSITION OF THE TERMINAL TIP RELATIVE TO THE REFERENCE PLANE IS ±0.1mm.

INTERFACE : MIL-STD-348B FULL DETENT

ROHS COMPLIANT