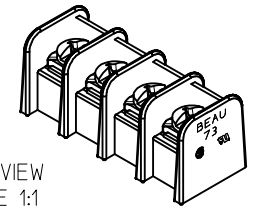
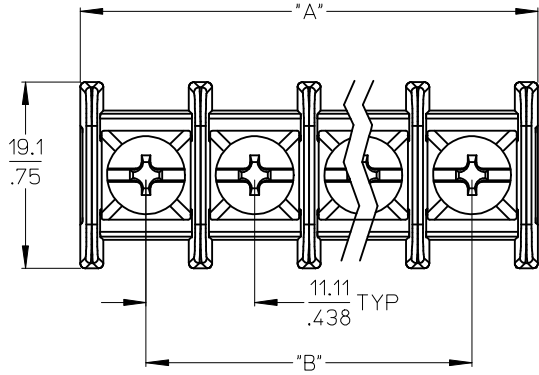
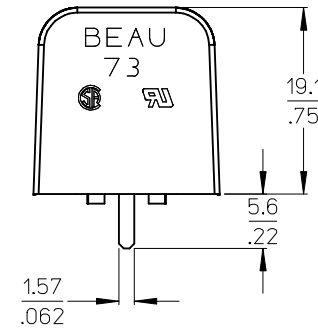
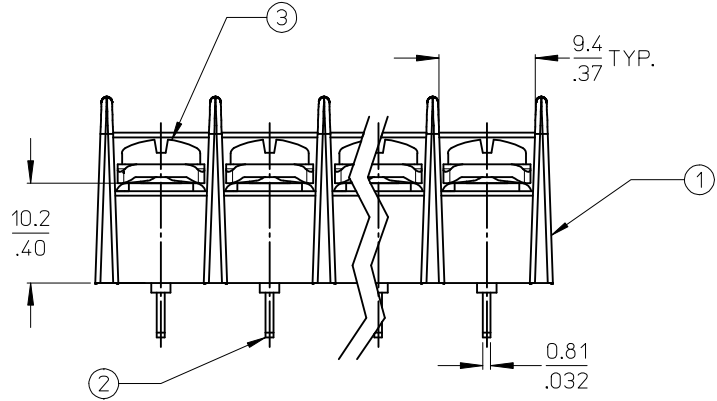


NO. OF CIRC. "XX"	DIM. "A"		DIM. "B"		ASSEMBLY MAT. NO. (-50)
02	24.5	0.97	11.11	0.438	387354302
03	35.7	1.40	22.23	0.875	387354303



AUX. VIEW
SCALE 1:1
4 CIRCUIT SHOWN



NOTES:

1. MATERIAL: SEE TABLE.
2. FINISHES: SEE TABLE.
3. "XX" REFERS TO THE QUANTITY OF CIRCUITS.
4. ROHS COMPLIANT.

ITEM	QTY.	DESCRIPTION	MATERIAL	ENGINEERING NO.
3	XX	SCREW AND WASHER, #8-32, PAN PHSL(-50 OPT)	STEEL	ZN, CLEAR CHROMATE
2	XX	TERMINAL, PC #8-32	BRASS	TIN PLATE
1	1	CS INSULATOR, SINGLE ROW	POLYESTER (PBT)	BLACK

INITIAL RELEASE
EC NO: IPG2013-0363
DRAWN: JENCINAS 2012/08/28
CHKD: JMACNEIL 2012/08/28
APPR: JMACNEIL 2012/09/14

QUALITY SYMBOLS
▽=0
▽/≠=0

	GENERAL TOLERANCES (UNLESS SPECIFIED)	
	mm	INCH
4 PLACES	± ---	± ---
3 PLACES	± ---	± .005
2 PLACES	± 0.13	± .01
1 PLACE	± 0.3	± ---
ANGULAR ± 2 °		

DIMENSION STYLE
MM/IN

DRAWN BY: JENCINAS DATE: 2012/08/27
CHECKED BY: JMACNEIL DATE: 2012/08/28
APPROVED BY: JMACNEIL DATE: 2012/09/14

SCALE: 2:1
DESIGN UNITS: INCH
THIRD ANGLE PROJECTION

TITLE: 11.11MM/.438" SR BTS, CS, PC TERM. ASY W/PADS NO MTG E. OVERSIZE SCREW

MATERIAL NO. SEE CHART
DOCUMENT NO. SD-38735-008

SHEET NO. 1 OF 1

DRAFT WHERE APPLICABLE MUST REMAIN WITHIN DIMENSIONS

THIS DRAWING CONTAINS INFORMATION THAT IS PROPRIETARY TO MOLEX INCORPORATED AND SHOULD NOT BE USED WITHOUT WRITTEN PERMISSION