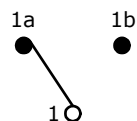


RECOMMENDED PANEL MOUNTING

PANEL THICKNESS	X
0.75-1.25	19.20-19.30
1.25-2.00	19.30-19.40
2.00-3.00	19.50-19.60

SWITCH FUNCTION		
POS. 1	POS. 2	POS. 3
ON	OFF	(ON)
1-1b	NONE	1-1a

MOMENTARY=(ON)

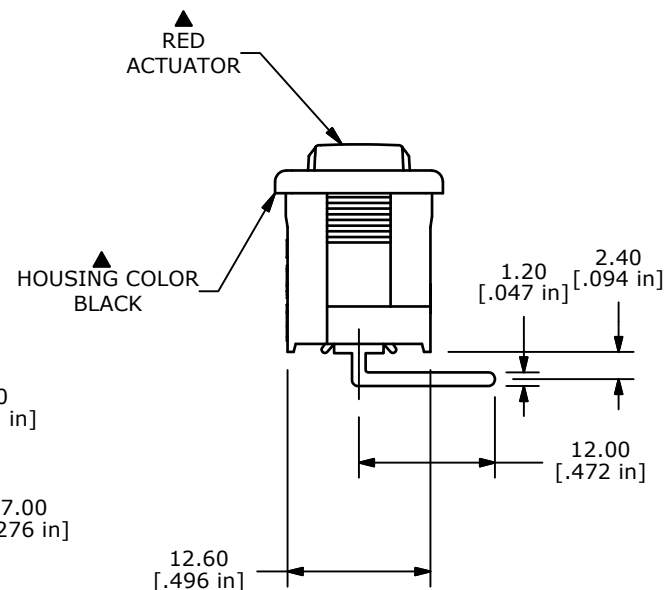
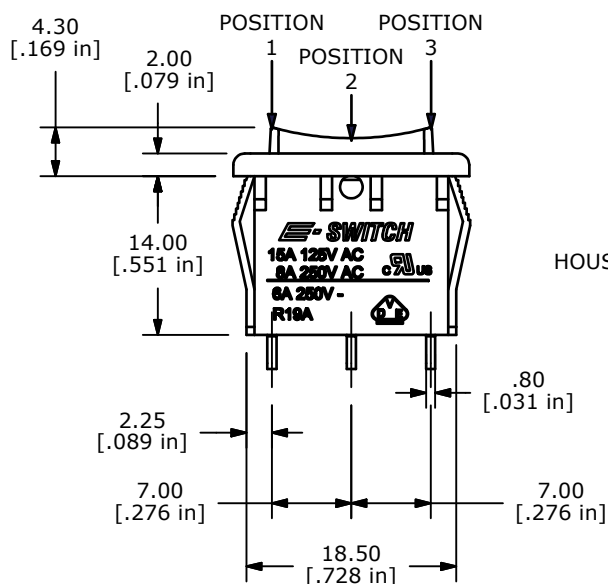
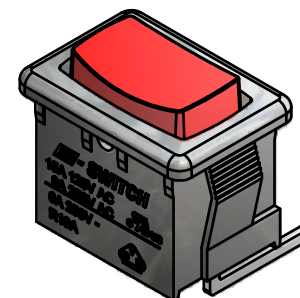
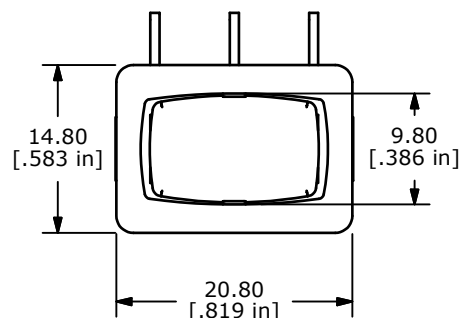


CURCUIT: SPDT

NOTES:

- ALL DIMENSIONS IN MM [INCH]
- GENERAL TOLERANCE: X.X=±0.4  
X.XX=±0.25
- TERM. NOS. FOR REF. ONLY
- RATING: 15A @125VAC;  
8A @250VAC.
- ▲ LAMP VOLTAGE: NO LAMP
- MATERIAL:  
CONTACT SURFACE:SILVER ALLOY  
TERMINAL: COPPER ALLOY w/SILVER PLATE
- ELECTRICAL LIFE: 10,000 CYCLES
- CONTACT RESISTANCE: <20 MILLI-OHMS INITIAL
- DIELECTRIC STRENGTH: >1,500V AC 1 MIN
- ▲ DENOTES CRITICAL PARAMETER.
- 2002/95/EC (ROHS) COMPLIANT

PC MOUNTING



TITLE R1966HBLKREDEL				
SCALE 1.5:1	DATE 1/5/2012	DR BMA	DWG M300016	REV A

A	20384	RELEASED FOR PRODUCTION	01/05/12	BMA
REV	PCR NO	DESCRIPTION	DATE	BY

THE INFORMATION CONTAINED IN THIS DOCUMENT IS PROPRIETARY TO E-SWITCH AND IS NOT TO BE COPIED OR TRANSFERRED