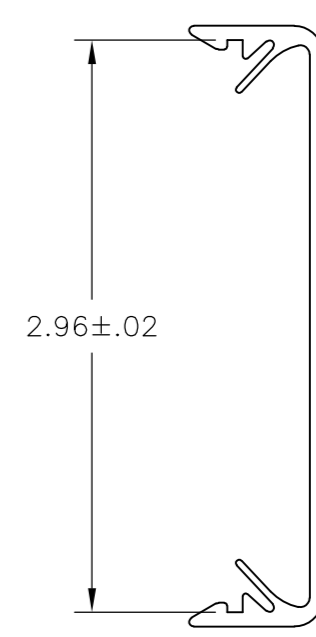
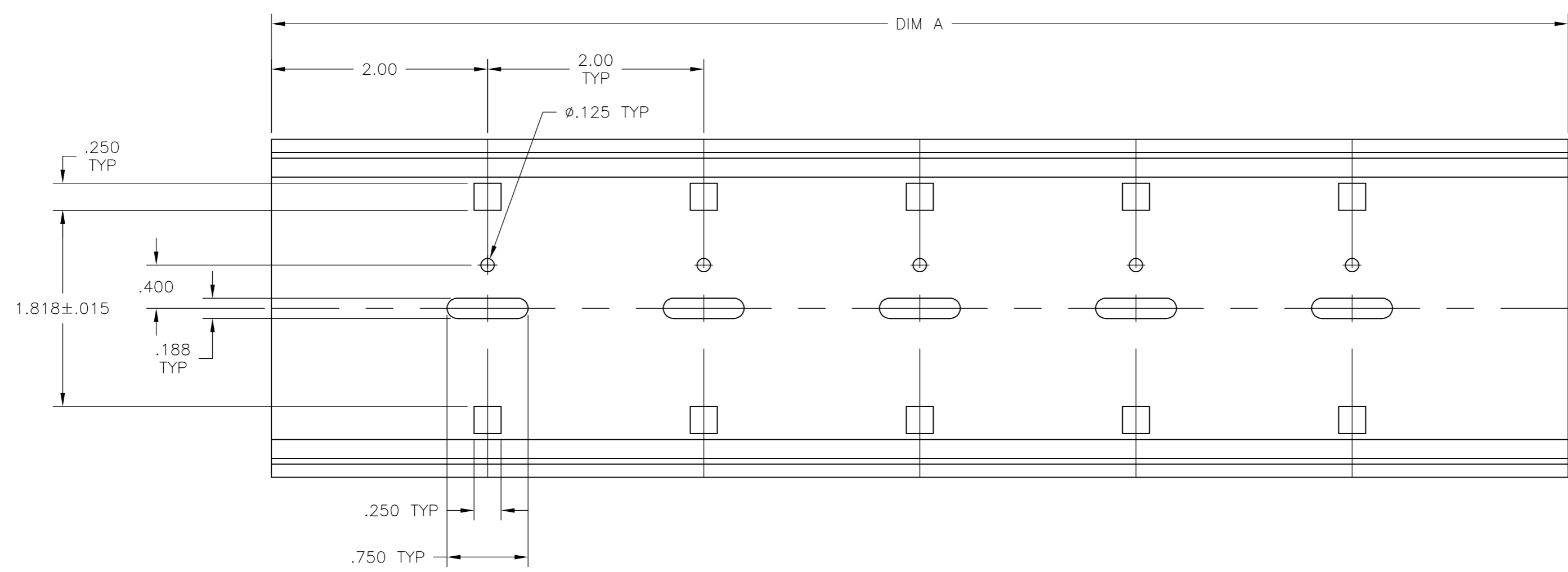


THIS DRAWING IS UNPUBLISHED. RELEASED FOR PUBLICATION
 © COPYRIGHT - By - ALL RIGHTS RESERVED.

LOC		DIST		REVISIONS			
P	LTR	DESCRIPTION		DATE	DWN	APVD	
	C	REVISED PER ECO-13-011850		13NOV2013	KH	MB	

- 1 ALL DIMENSIONS ARE ±.015 UNLESS OTHERWISE NOTED.
- 2 MATERIAL: RIGID, PVC, COLOR: GRAY
- 3 RECOMMENDED PC BOARD WIDTH 3.00"



	48.00	TK2D-48	9-1437685-1
OBSOLETE	24.00	TK2D-24	8-1437685-9
OBSOLETE	12.00	TK2D-12	8-1437685-8
	DIM A	CATALOG NUMBER	PART NUMBER

THIS DRAWING IS A CONTROLLED DOCUMENT.		DWN	S SCHLEGEL	5/6/09	 TE Connectivity
DIMENSIONS: INCHES		CHK	C RICARD	5/6/09	
TOLERANCES UNLESS OTHERWISE SPECIFIED:		APVD	C RICARD	5/6/09	
0 PLC ± - 1 PLC ± - 2 PLC ± .02 3 PLC ± .005 4 PLC ± - ANGLES ± 1°		PRODUCT SPEC		NAME	
MATERIAL -		FINISH -		TK2D SNAPTRACK	
		WEIGHT	-	SIZE	A2
		CUSTOMER DRAWING		CAGE CODE	00779
				DRAWING NO	C-8-1437685-8
				RESTRICTED TO	-
				SCALE	NTS
				SHEET	1 of 1
				REV	C