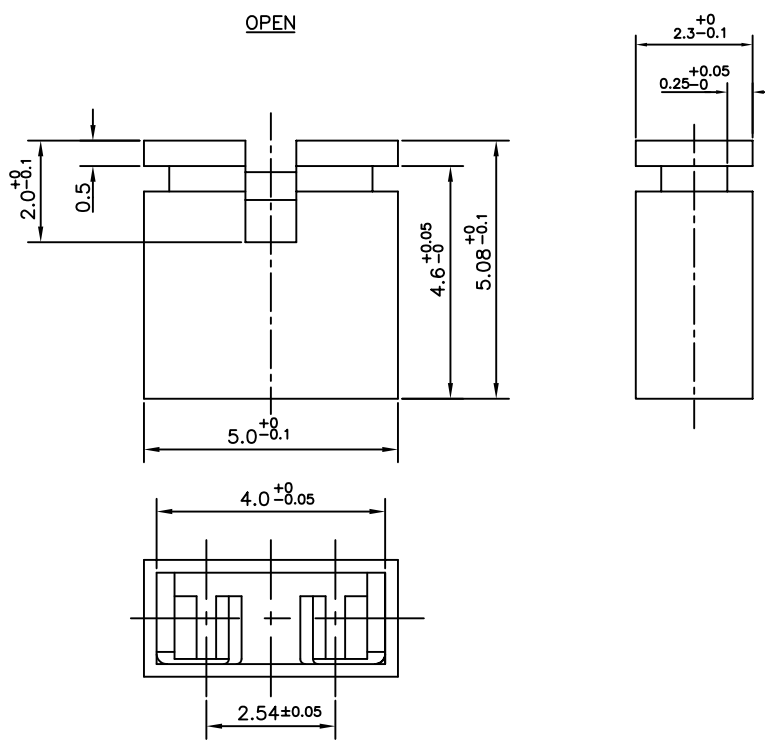
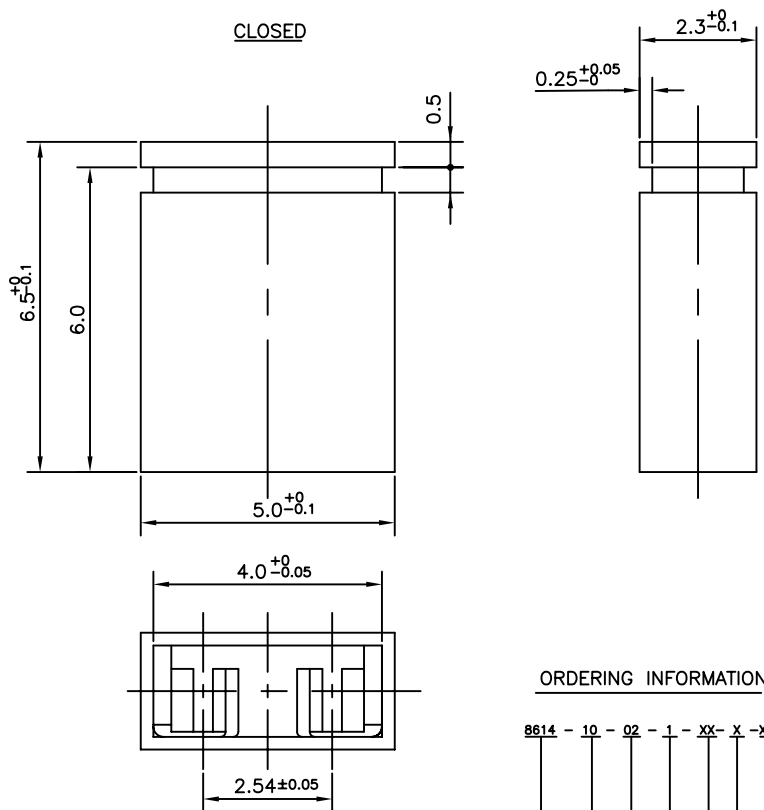


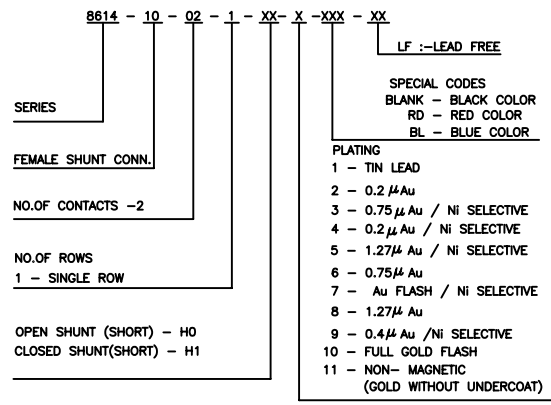


FCIconnect.com

Copyright FCI



ORDERING INFORMATION



TECHNICAL SPECIFICATION

INSULATOR MATERIAL : SELF EXTINGUISHING THERMOPLASTIC (UL94 V0)
 CONTACT MATERIAL : COPPER ALLOY
 MAXIMUM VOLTAGE : 500 V rms.
 NOMINAL CURRENT : 3A AT 20°C
 INSULATION RESISTANCE : > 1000 MΩ
 CLIMATIC CATAGORY : -55°C TO +125°C / 21 DAYS EXPOSURE TO- INDUSTRIAL ENVIRONMENT HUMIDITY TEST AS HE-14.
 CONTACT RESISTANCE : < 20mΩ

NOTES :
 1. THE PRODUCT (LF) MEETS EUROPEAN UNION DIRECTIVES AND OTHER COUNTRY REGULATIONS AS DESCRIBED IN GS-22-008

mat'l. code		surface		tolerance		projection		product family	
REF TECH SPEC		ISO 1302		ISO 406 ISO 1101				8614	
ltr		ecn no		dr		date		title	
C		106-0124		MKV		2002-07-12		FEMALE SHORTING PLUG (OPEN & CLOSED)	
D		106-0126		MKV		2003-06-07		scale	
E		106-0127		MKV		2004-09-29		MM	
F		106-0116		AB		2006-07-20		scale -	
enr		JAIK.A		1998-12-06		enr		dwg no	
chr		ALEX BABU		2006-07-20		chr		sheet 1 of 1	
appd		BIJU K P		2006-07-20		appd		C-8614-0085	
sheet index		revision sheet		C		D		E	
1		1		1		1		A3	
2		3		4		5		6	