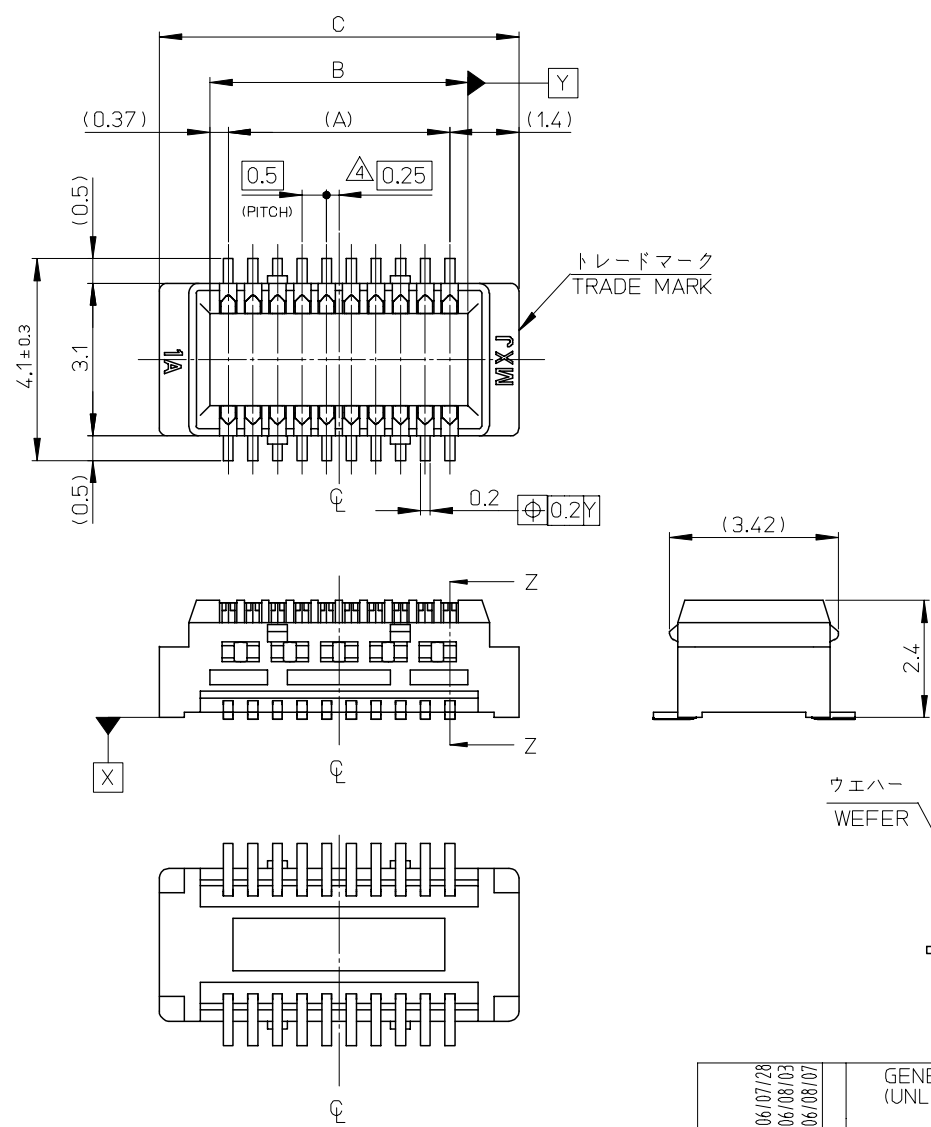


10 9 8 7 6 5 4 3 2 1

F  
E  
D  
C  
B  
A



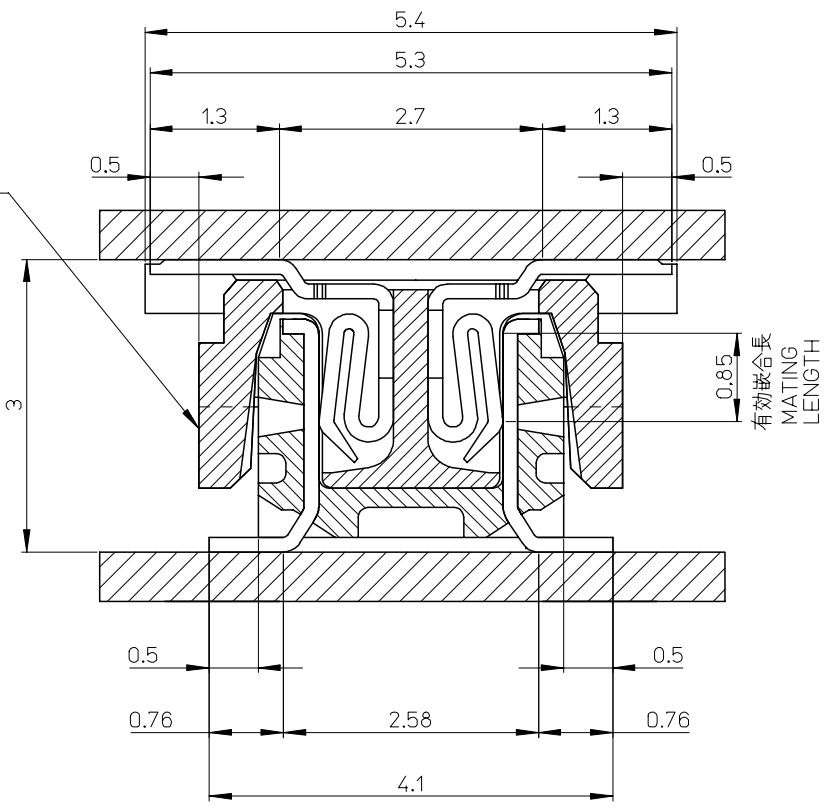
注記  
NOTES

1. 使用材料 MATERIAL  
ハウジング: LCPガラス入り (黒), UL94V-0  
HOUSING: LCP(G.F.)(COLOR: BLACK), UL94V-0  
ターミナル: 黄銅 (t=0.15)  
TERMINAL: BRASS (t=0.15)
2. メッキ仕様 PLATING  
全体仕上げ: 金メッキ 0.1 MICROMETER MIN.  
ALL OVER: GOLD 0.1 MICROMETER MIN.  
下地メッキ: ニッケルメッキ 1.5 MICROMETER MIN.  
UNDER PLATING: NICKEL 1.5 MICROMETER MIN.
3. 基準面 [X] からのソルダーテールの半田付け面のズレ量は、上方向 0、下方向 0.15MAX. とする。  
MISALIGNMENT OF SOLDER TAIL FROM [X]: UPPER DIRECTION 0, LOWER DIRECTION 0.15 MAX.
- △ (全極数/2) = 偶数の場合に適用。  
APPLY FOR (CIRCUIT/2) = EVEN.
5. 嵌合相手: 5299I シリーズ 54167 シリーズ  
MATE WITH: 5299I SERIES, 54167 SERIES.
6. テール平坦度は、0.1MAX.  
TAIL COPLANARITY TO BE 0.1MAX.

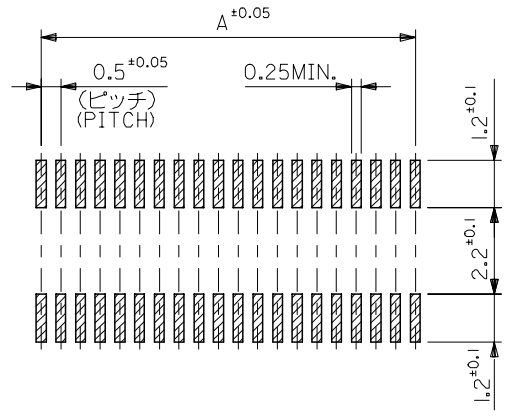
7.3	5.24	4.5	502280-0200	20
C	B	A	ENG. No.	極数 CUIRCUIT

RELEASED EC NO: J2007-0273 DRWN: TENAGASE 2006/07/28 CHKD: THARUYAMA 2006/08/03 APPR: NUKITA 2006/08/07 REV 0	GENERAL TOLERANCES (UNLESS SPECIFIED)		DIMENSION STYLE MM ONLY		SCALE 10:1		DESIGN UNITS METRIC		THIRD ANGLE PROJECTION	
	10 UNDER	± 0.2	DRAWN BY	DATE	TITLE 0.5 B-TO-B PLUG ASSY 0/M HGT=3.0 (W/O BOSS, NAIL) -LEAD FREE- MOLEX INCORPORATED					
	10 OVER 30 UNDER	± 0.25	CHECKED BY	DATE						
	30 OVER	± 0.3	APPROVED BY	DATE						
	ANGULAR ± 3 °		MATERIAL NO. 502280-**00		DOCUMENT NO. SD-502280-001		SHEET NO. 1 OF 2			
DRAFT WHERE APPLICABLE MUST REMAIN WITHIN DIMENSIONS		SIZE A3		THIS DRAWING CONTAINS INFORMATION THAT IS PROPRIETARY TO MOLEX INCORPORATED AND SHOULD NOT BE USED WITHOUT WRITTEN PERMISSION						

嵌合相手 MATE WITH  
5299|-\*\*\*0 (白 WHITE)  
54167-\*\*\*1 (黒 BLACK)

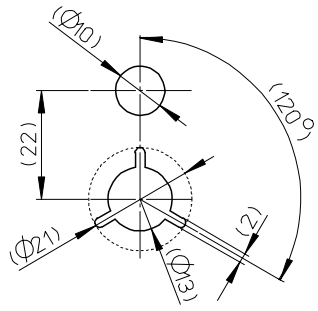
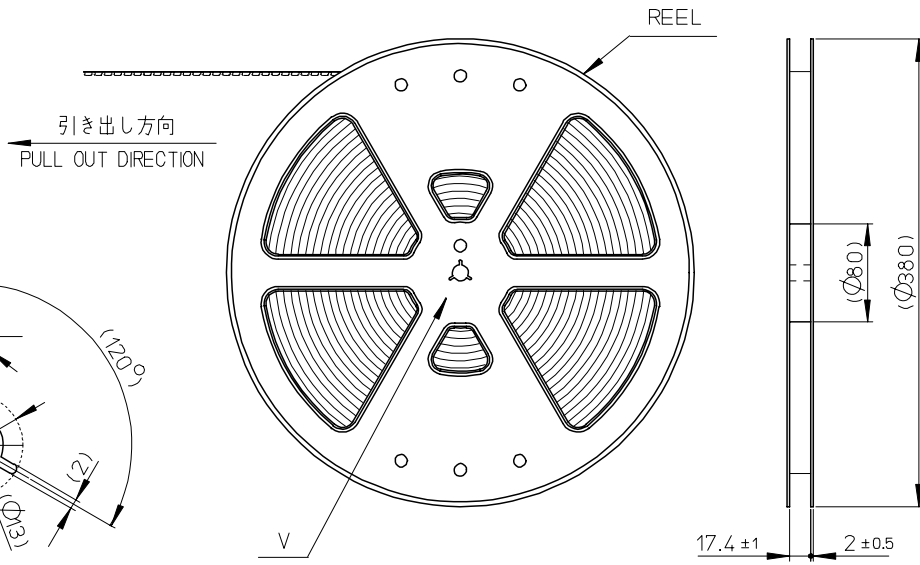


嵌合断面図 (参考)  
MATED DRAWING (REF.)



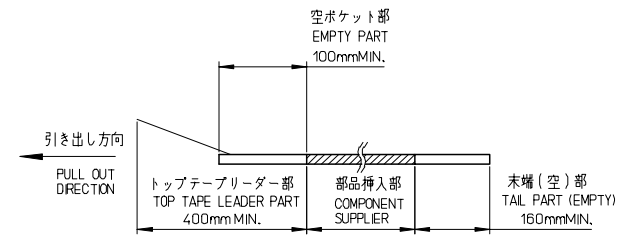
参考基板レイアウト (マウント面)  
P.C.BOARD PATTERN  
DIMENSION. (REF.)  
(MOUNTING AREA)

RELEASED EC NO: J2007-0273 DRWN: TENAGASE 2006/07/28 CHKD: THARUYAMA 2006/08/03 APPR: NUKITA 2006/08/07 REV 0	GENERAL TOLERANCES (UNLESS SPECIFIED)		DIMENSION STYLE MM ONLY	SCALE 10:1	DESIGN UNITS METRIC	THIRD ANGLE PROJECTION
	10 UNDER	± 0.2	DRAWN BY TENAGASE	DATE 06/05/25	TITLE 0.5 B-TO-B PLUG ASSY 0/M HGT=3.0 (W/O BOSS, NAIL) -LEAD FREE-	
	10 OVER 30 UNDER	± 0.25	CHECKED BY THARUYAMA	DATE 06/05/25	MOLEX INCORPORATED DOCUMENT NO. SD-502280-001 SHEET NO. 2 OF 2	
	30 OVER	± 0.3	APPROVED BY NUKITA	DATE 06/05/25		
	ANGULAR	± 3 °	MATERIAL NO. 502280-***00			
DRAFT WHERE APPLICABLE MUST REMAIN WITHIN DIMENSIONS		SIZE A3		THIS DRAWING CONTAINS INFORMATION THAT IS PROPRIETARY TO MOLEX INCORPORATED AND SHOULD NOT BE USED WITHOUT WRITTEN PERMISSION		



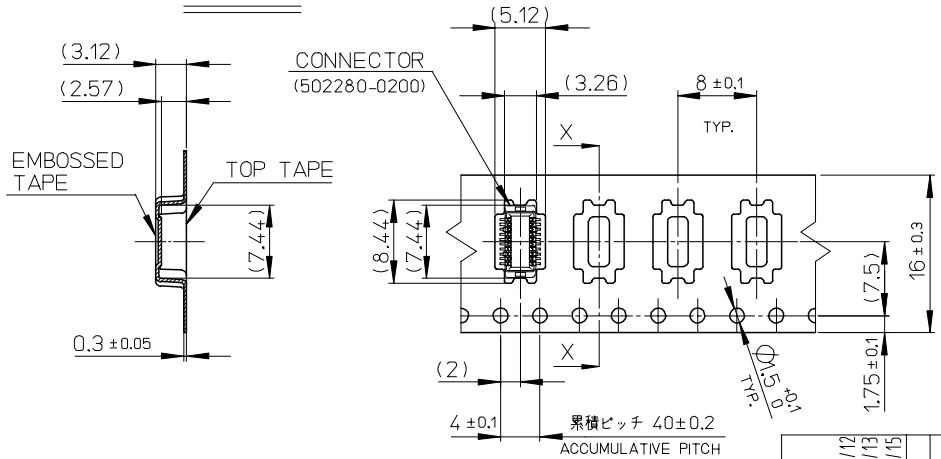
注記  
NOTES

- 製品詳細寸法については製品単体図面参照。  
DETAILED DIMENTION OF THIS PRODUCT, SEE PRODUCT DRAWING.
- 梱包数量： 3000 個/リール  
NUMBER OF CONNECTORS : 3000 PCS/REEL
- リードテープ長さ  
LEAD TAPE LENGTH



4. 材料 MATERIAL

キャリアテープ：ポリスチレン  
CARRIER TAPE : POLYSTYRENE  
トップテープ：PET+その他  
TOP TAPE : PET+OTHERS  
リール：ポリスチレン<リサイクル材含む>  
REEL : POLYSTYRENE<RECYCLE MATERIAL CONTAINED>



16mm	502280-0204	20
キャリアテープ幅 CARRIER TAPE WIDTH	製品番号 MATERIAL No.	極数 CIRCUIT

REVISED EC NO: J2007-2224 DRWRT:SUROKA 2007/03/12 CHKDK:TOYODA 2007/03/13 APPR:NUKITA 2007/03/15	DESCRIPTION	GENERAL TOLERANCES (UNLESS SPECIFIED)		DIMENSION STYLE MM ONLY		SCALE ---	DESIGN UNITS METRIC	THIRD ANGLE PROJECTION	
		10 UNDER	± 0.2	DRAWN BY TENAGASE	DATE 06/05/25	TITLE EMBOSSSED TAPE PKG FOR 0.5 B-TO-B PLUG ASSY 0/M HGT=3.0 -LEAD FREE-			
		10 OVER 30 UNDER	± 0.25	CHECKED BY THARUYAMA	DATE 06/05/25	MOLEX INCORPORATED			
		30 OVER	± 0.3	APPROVED BY NUKITA	DATE 06/05/25				
A	REV	ANGULAR	± 3 °	MATERIAL NO. 502280-**04		DOCUMENT NO. SD-502280-002		SHEET NO. 1 OF 1	