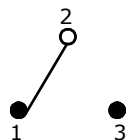


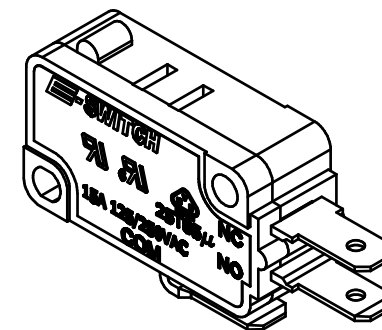
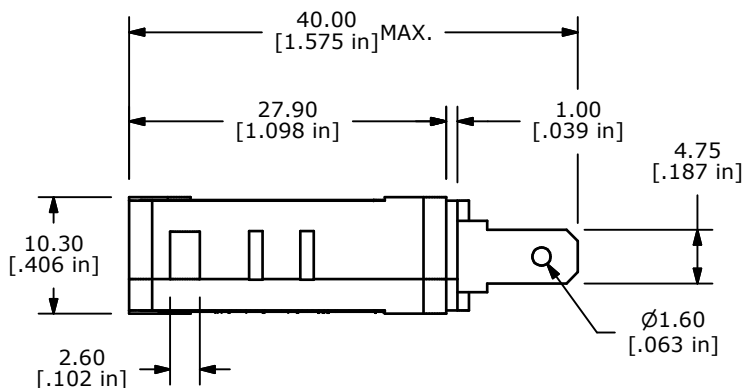
PANEL MOUNTING

O.P. (MM)	P.T. (MM)
14.7 ± 0.5	2.0 MAX.

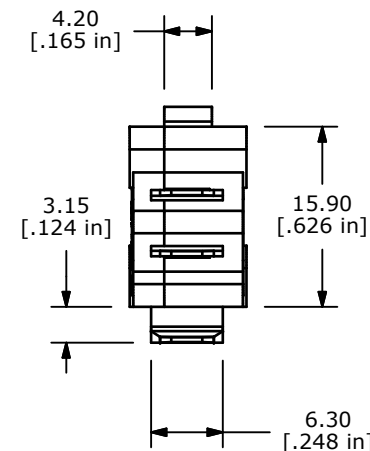
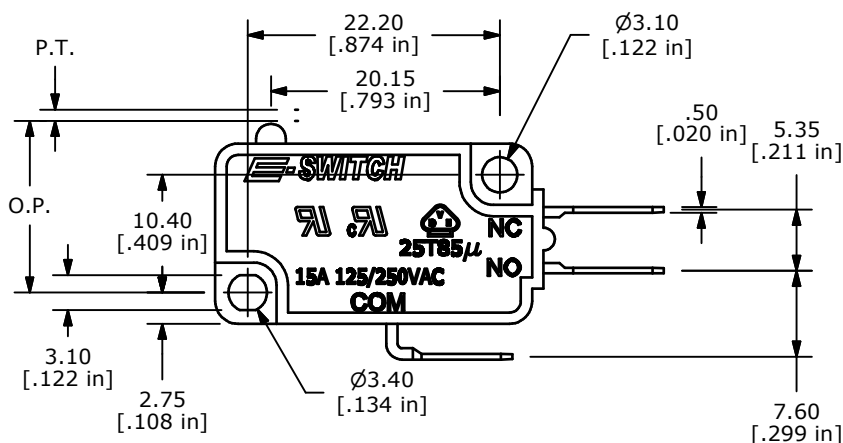
O.P. = OPERATING POINT
P.T. = PRE-TRAVEL



CIRCUIT : SPDT



ISOMETRIC



NOTES:

1. ALL DIMENSIONS IN MM [INCH]
2. GENERAL TOLERANCE: X.X=±0.4
X.XX=±0.25
- ▲3. RATING: 15A @125/250VAC UL, CUL, VDE APPROVED
4. OPERATING FORCE: 250±50 GRAMS
5. OPERATING TEMP: -25°C TO 85°C
6. ELECTRICAL LIFE: 50,000 CYCLES MIN.
7. MECHANICAL LIFE: 1,000,000 CYCLES TYP.
8. INSULATION RESISTANCE: 100 MEGA-OHMS MIN.
9. DIELECTRIC STRENGTH: 1500VAC 1 MINUTE (INITIAL VALUE)
10. CONTACT RESISTANCE: 100 MILLI -OHMS MAX.
11. 2002/95/EC (ROHS) COMPLIANT
12. ▲ DENOTES CRITICAL PARAMETER.



TITLE LS0851500F250C1A

A	17719	RELEASED FOR PRODUCTION	9/27/07	BF
REV	PCR NO	DESCRIPTION	DATE	BY

THE INFORMATION CONTAINED IN THIS DOCUMENT IS PROPRIETARY TO E-SWITCH AND IS NOT TO BE COPIED OR TRANSFERRED

SCALE	DATE	DR	DWG	REV
1.5:1	9/27/2007	BF	Q950044	A