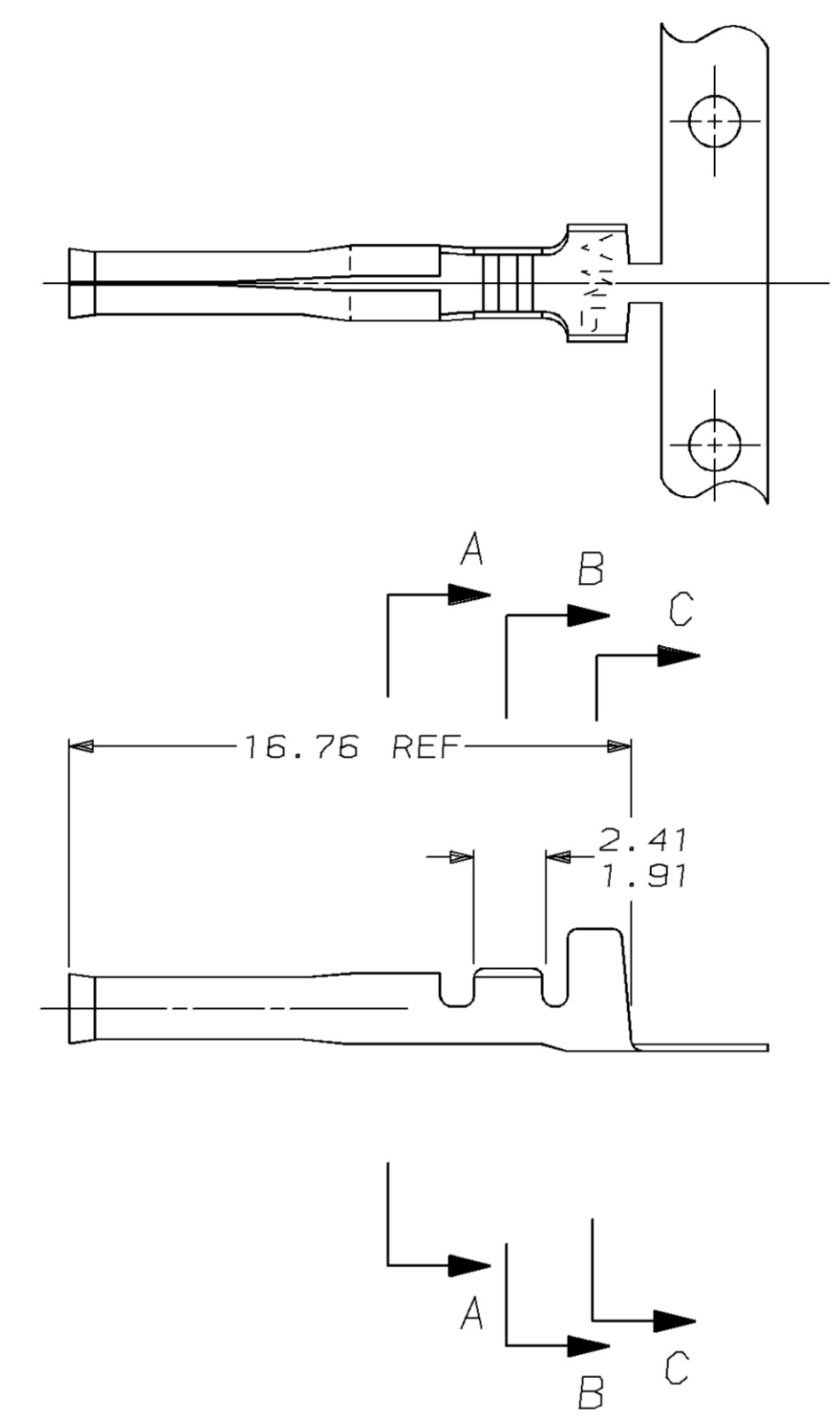
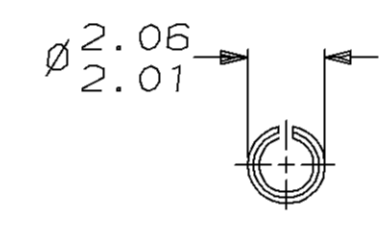
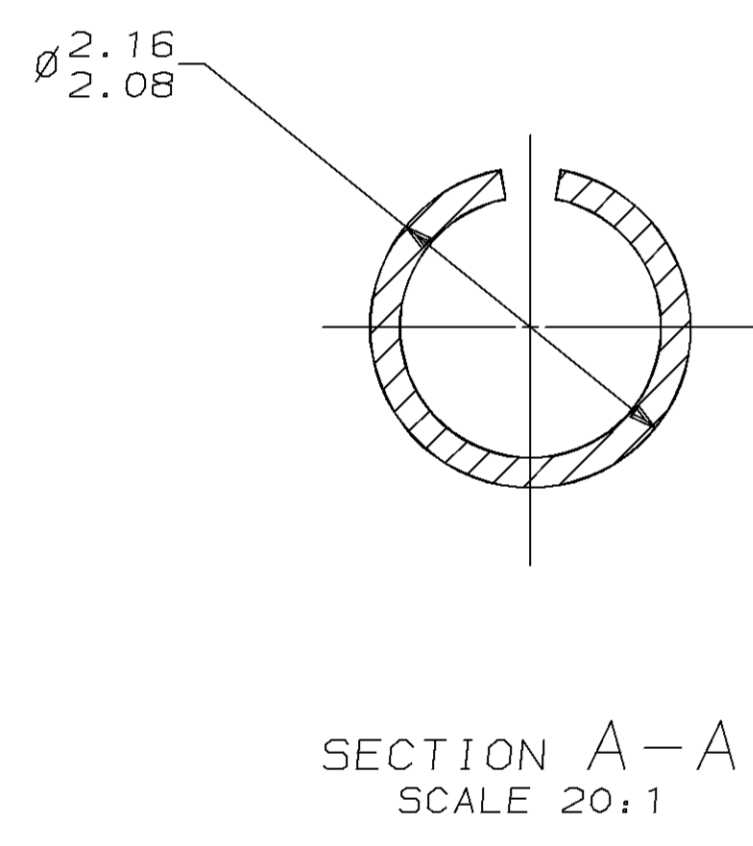
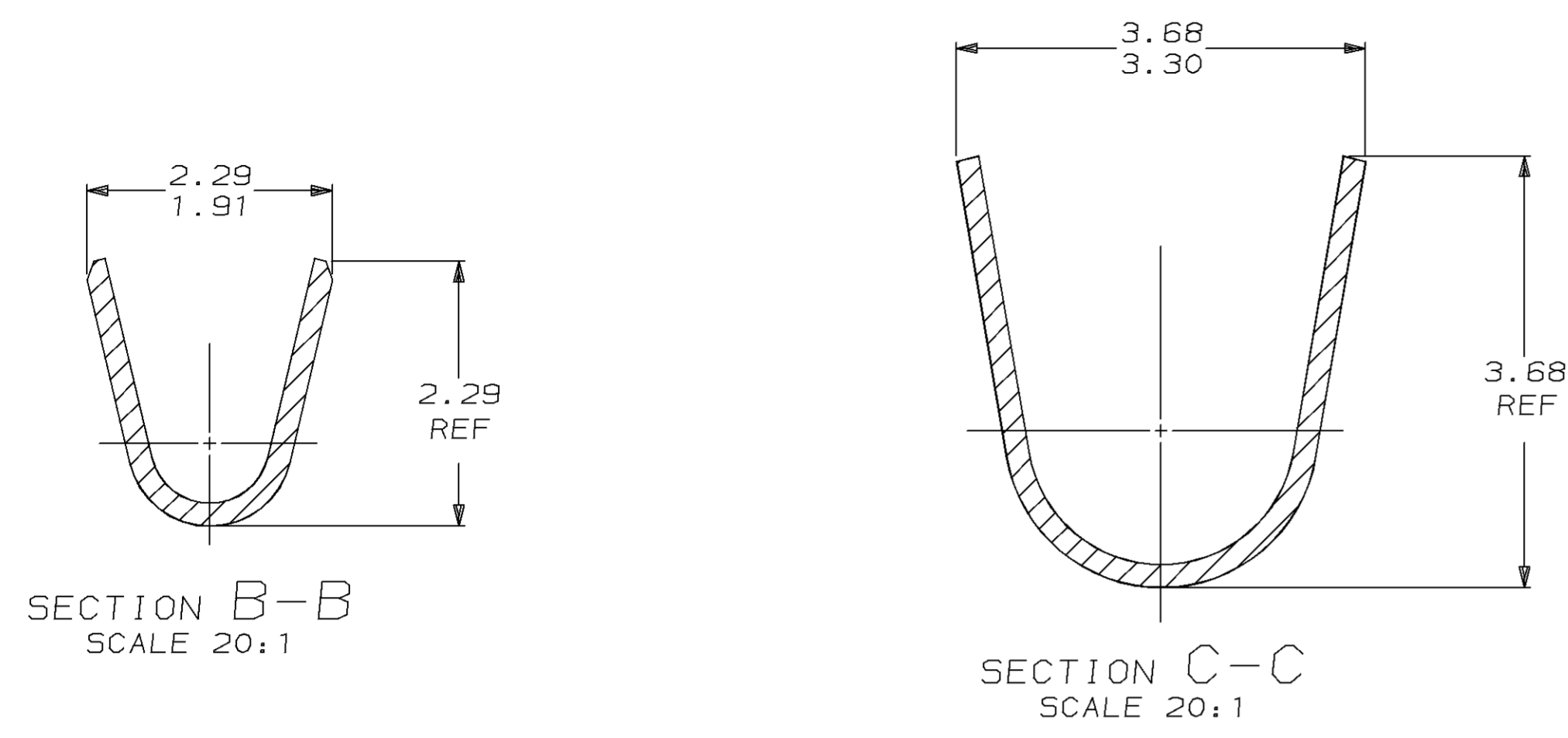


LOC		DIST		P		F		ZONE		LTR		REVISIONS		DATE	APPD	
CM	53												0	RLSD PER PR CM 95-150	12-07-95	BL RS



MM	IN	MM	IN
2.08	.082	-	-
2.06	.081	16.76	.660
2.01	.079	3.68	.145
1.91	.075	3.30	.130
1.27	.050	2.79	.110
0.20	.008	2.41	.095
0.13	.005	2.29	.090
.062	.0024	2.16	.085

CONVERSION TABLE

FINISH	MATERIAL	INSULATION DIAMETER	WIRE RANGE	PART NO
PRE-TIN	0.20 BRASS	1.27-2.79	0.2-0.9mm ² (24-18) AWG	794103-1

DO NOT SCALE PRINT. UNLESS SPECIFIED DIMENSIONS IN mm [INCHES] TOLERANCES ON: 2 PLC DEC ± - 3 PLC DEC ± 0.13 ANGLES ± 0°30'	DR 12-07-95 B. LEWIS CHK 12-07-95 R. SWING APPD 12-07-95 C. CASH APPD 12-07-95 C. CASH PRODUCT SPEC	AMP INCORPORATED Harrisburg, Pa. 17105
SEE TABLE	APPLICATION SPEC	
FINISH	SEE TABLE	NAME .062 SOCKET, LANCELESS, COMMERCIAL PIN & SOCKET SIZE D CAGE CODE 00779 DRAWING NO 794103 SCALE 5:1 SHEET 1 OF 1

