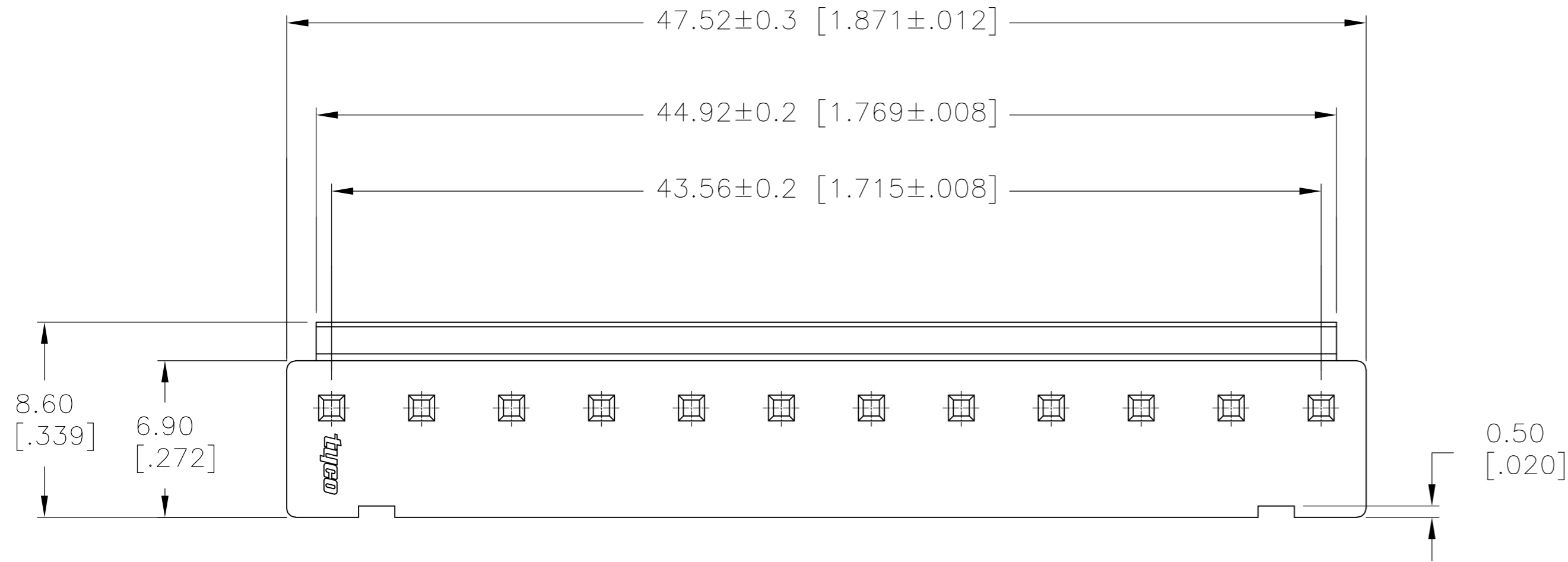
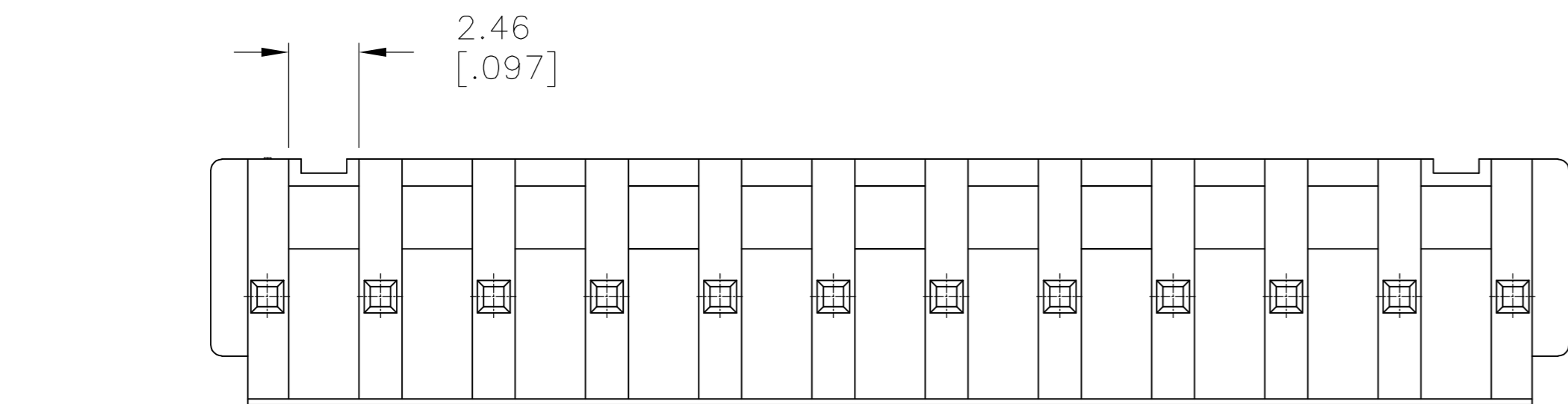
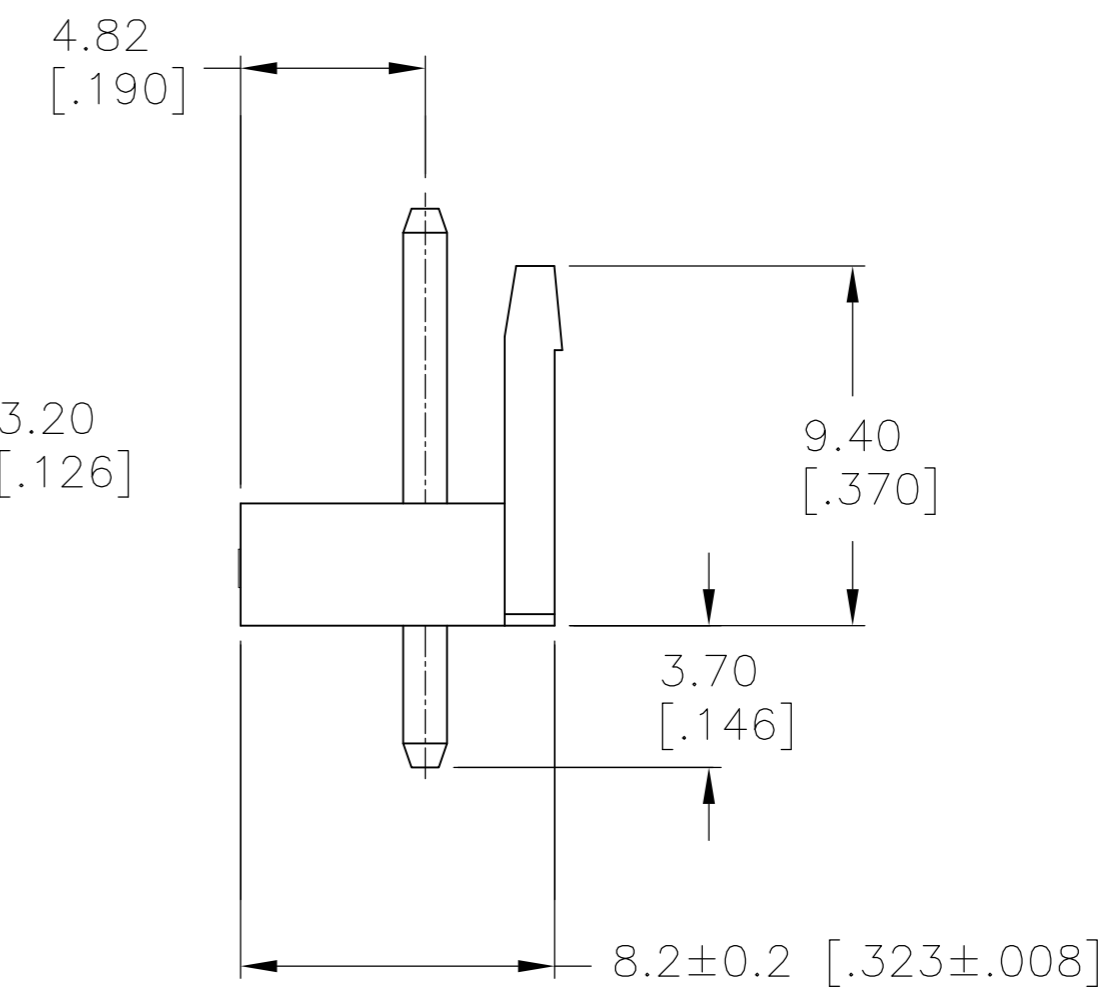
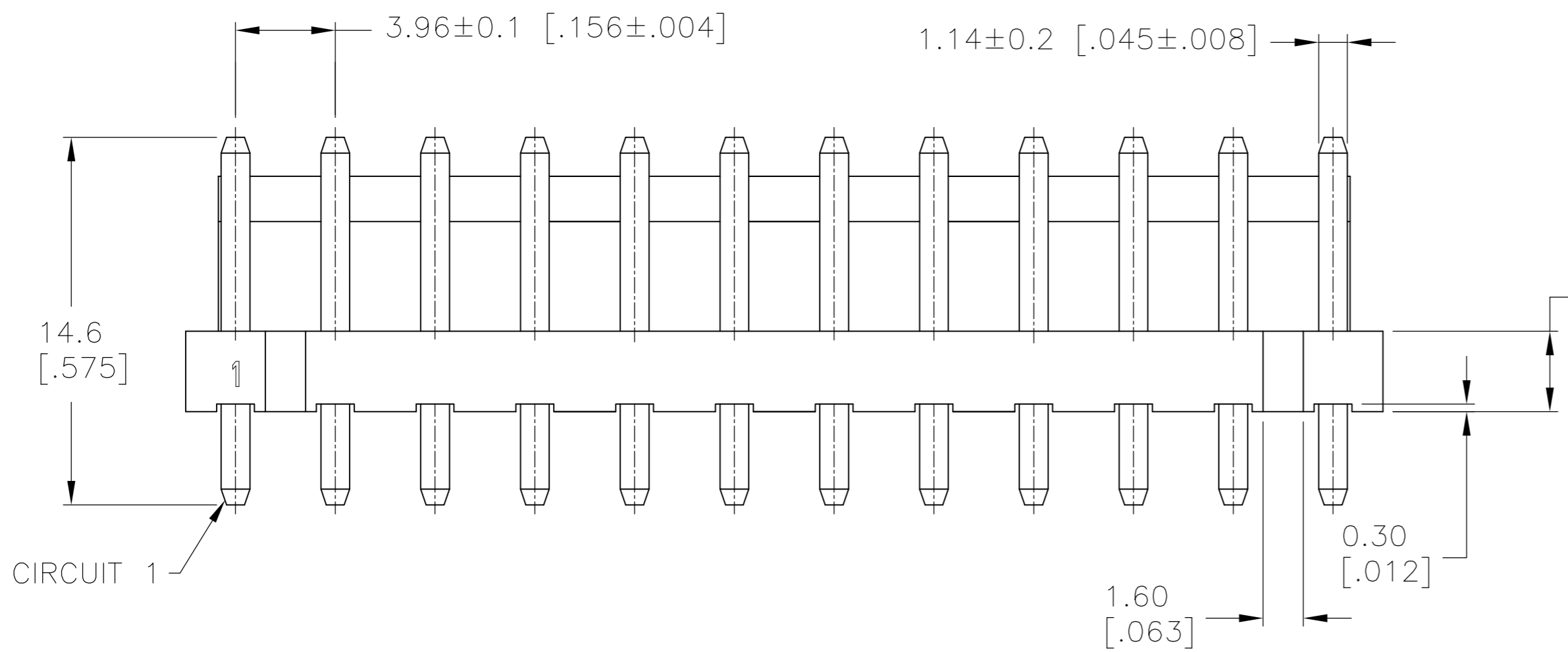


THIS DRAWING IS UNPUBLISHED. RELEASED FOR PUBLICATION
 © COPYRIGHT - By - ALL RIGHTS RESERVED.

REVISIONS				
P	LTR	DESCRIPTION	DATE	APVD
A2		REVISED PER ECR-16-017535	09JAN17	O.C D.Z



- 1 HOUSING MATERIAL: NYLON UL 94V-0.
- 2 PIN CONTACT MATERIAL: BRASS.



CIRCUIT 1

NATURAL	12	1-647689-2
COLOR	NO OF POSITIONS	PART NUMBER

THIS DRAWING IS A CONTROLLED DOCUMENT.		DWN K. WHITAKER 17NOV03	TE Connectivity	
DIMENSIONS: mm [INCHES]		CHK J. ELLIS 17NOV03		
TOLERANCES UNLESS OTHERWISE SPECIFIED:		APVD J. ELLIS 17NOV03	NAME - EP HEADER ASSEMBLY	
0 PLC ± -		PRODUCT SPEC	SIZE A2	
1 PLC ± 0.15 [.006]		APPLICATION SPEC	CAGE CODE 00779	
2 PLC ± 0.10 [.004]			DRAWING NO C-647689	
3 PLC ± 0.05 [.002]			RESTRICTED TO -	
4 PLC ± -			SCALE 4:1	
ANGLES ± 3°			SHEET 1 of 1	
MATERIAL -		WEIGHT	REV A2	
FINISH -		CUSTOMER DRAWING		