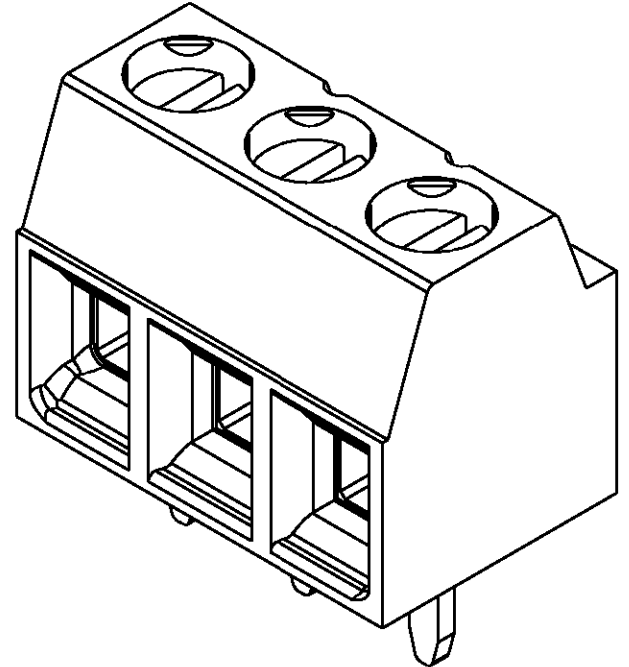
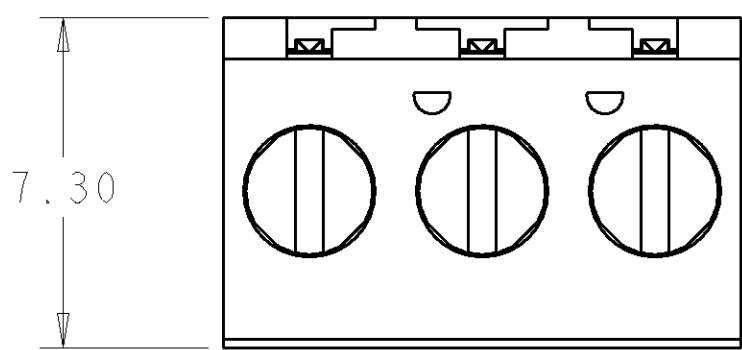


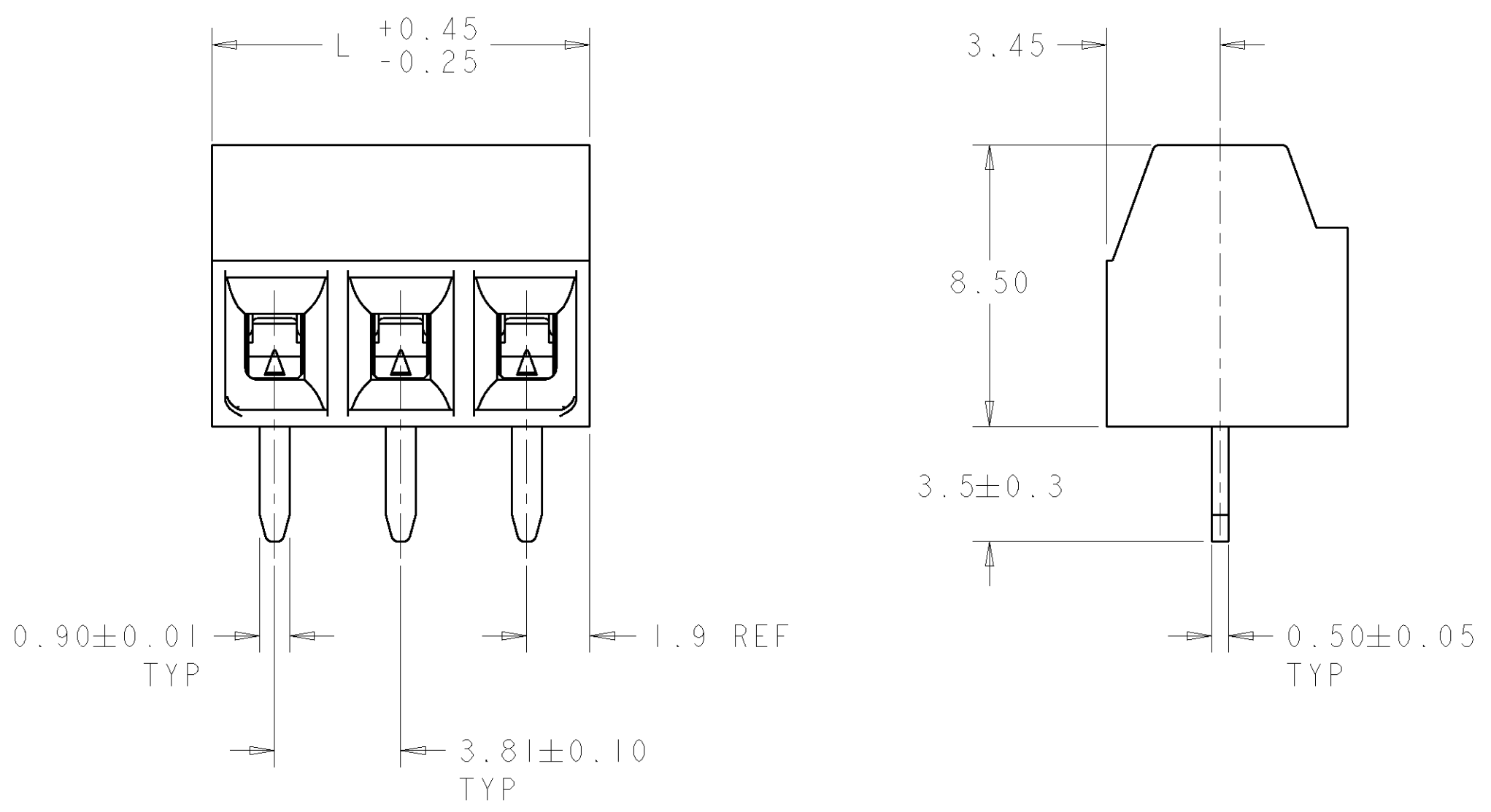
THIS DRAWING IS UNPUBLISHED. RELEASED FOR PUBLICATION 20  
 © COPYRIGHT 20 BY TYCO ELECTRONICS CORPORATION. ALL RIGHTS RESERVED.

LOC	DIST	REVISIONS					
FT	0	P	LTR	DESCRIPTION	DATE	DWN	APVD
		O		RELEASED	18JUN2003	SW	CR
		A		REVISED EC 0G3B-0652-04	13AUG2004	SW	CR



1546552-3 AS SHOWN

- ⚠ MATERIALS AND FINISH:  
 HOUSING: PA 6-6, UL 94 VO-RATED, COLOR: GREEN.  
 TERMINAL: COPPER ALLOY, TIN PLATED.  
 CLAMP: COPPER ALLOY, NICKEL PLATED.  
 CLAMPING SCREW: COPPER ALLOY, NICKEL PLATED.
- WIRE SIZE RANGE: 16-28 AWG.
  - CURRENT RATING: 12A, 150V  
OPERATING TEMPERATURE: -40°C TO +110°C
  - SUITABLE FOR 2.4mm MAX PC BOARD THICKNESS.



95.25	25	2-1546552-5
91.44	24	2-1546552-4
87.63	23	2-1546552-3
83.82	22	2-1546552-2
80.01	21	2-1546552-1
76.20	20	2-1546552-0
72.39	19	1-1546552-9
68.58	18	1-1546552-8
64.77	17	1-1546552-7
60.96	16	1-1546552-6
57.15	15	1-1546552-5
53.34	14	1-1546552-4
49.53	13	1-1546552-3
45.72	12	1-1546552-2
41.91	11	1-1546552-1
38.10	10	1-1546552-0
34.29	9	1546552-9
30.48	8	1546552-8
26.67	7	1546552-7
22.86	6	1546552-6
19.05	5	1546552-5
15.24	4	1546552-4
11.43	3	1546552-3
7.62	2	1546552-2
L	NO OF POSN	PART NUMBER

RECOMMENDED PC BOARD LAYOUT

THIS DRAWING IS A CONTROLLED DOCUMENT FOR TYCO ELECTRONICS CORPORATION. IT IS SUBJECT TO CHANGE AND THE CONTROLLING ENGINEERING ORGANIZATION SHOULD BE CONTACTED FOR THE LATEST REVISION.		DWN S. WELDON 18JUN2003	<b>BUCHANAN</b> Tyco Electronics Harrisburg, PA 17105-3608	
DIMENSIONS: mm		CHK C. RICHARD 18JUN2003		
TOLERANCES UNLESS OTHERWISE SPECIFIED:		APVD C. RICHARD 18JUN2003	NAME	
0 PLC ±		PRODUCT SPEC	TERMINAL BLOCK, PCB MOUNT, STRAIGHT, 8.5mm PROFILE, SIDE WIRE ENTRY, 3.81mm PITCH	
1 PLC ±0.3		APPLICATION SPEC	SIZE A2	RESTRICTED TO
2 PLC ±0.25		WEIGHT	CAGE CODE 00779	DRAWING NO. 1546552
3 PLC ±0.000		CUSTOMER DRAWING	SCALE 6:1	SHEET 1 OF 1
4 PLC ±0.0000			REV A	
ANGLES ±				
FINISH				