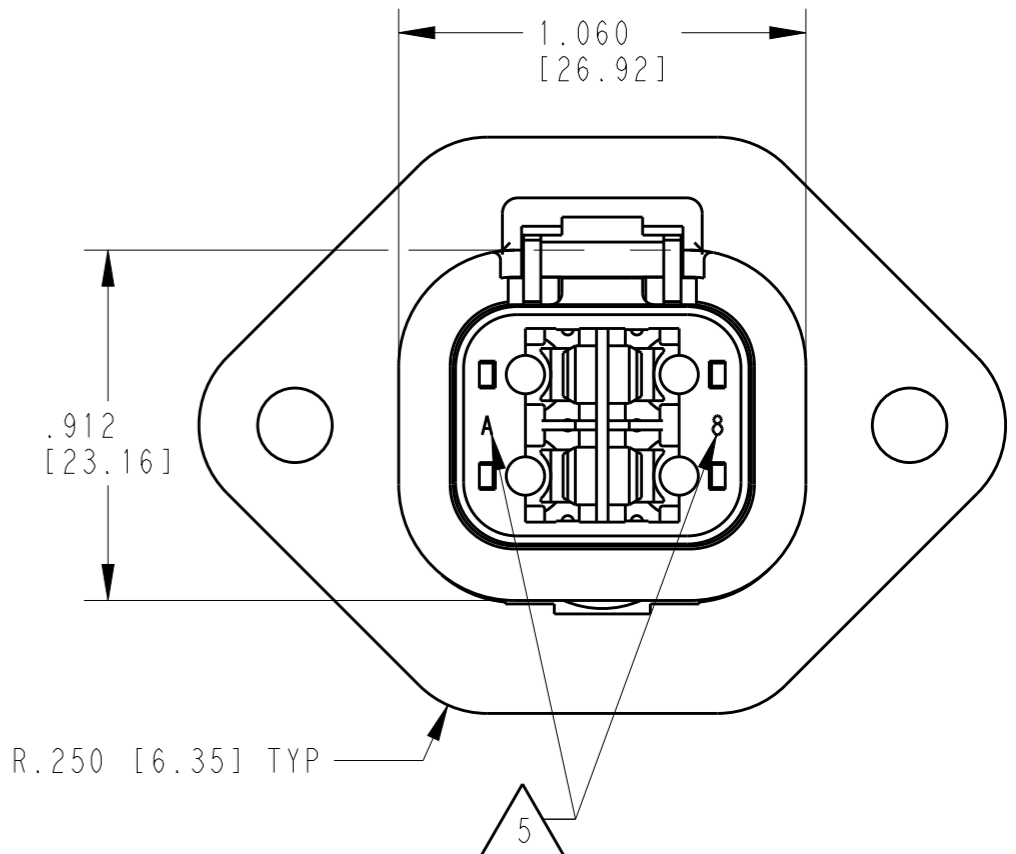
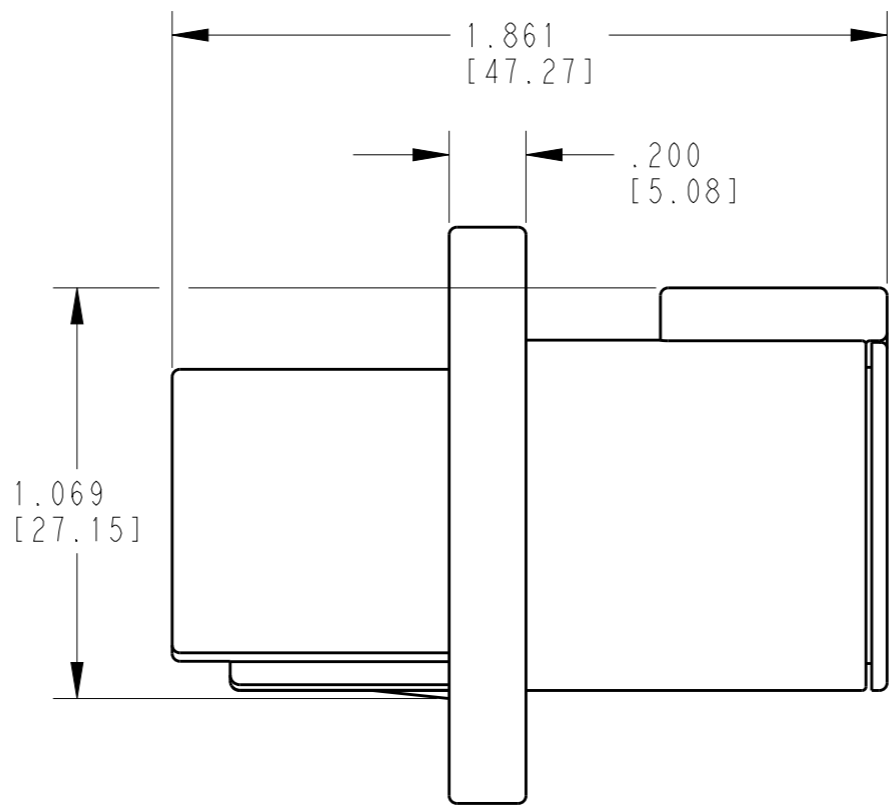
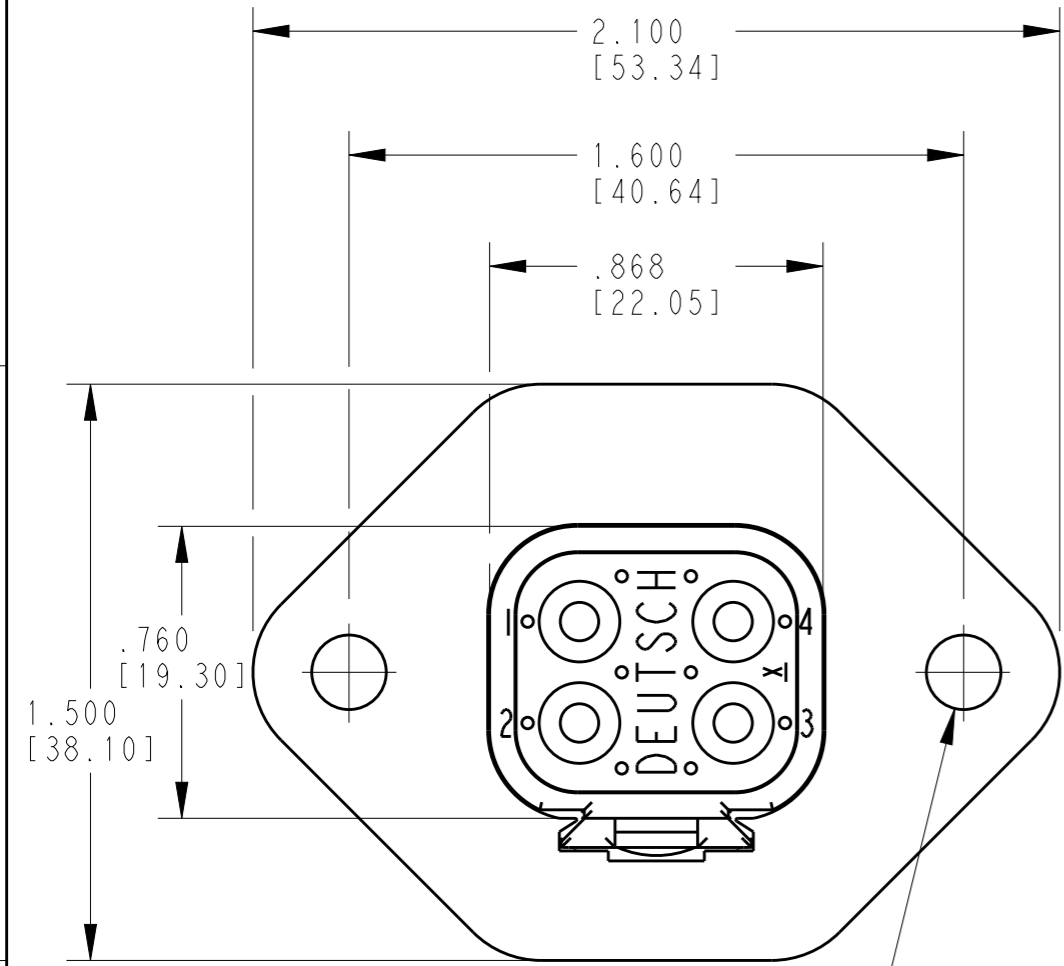
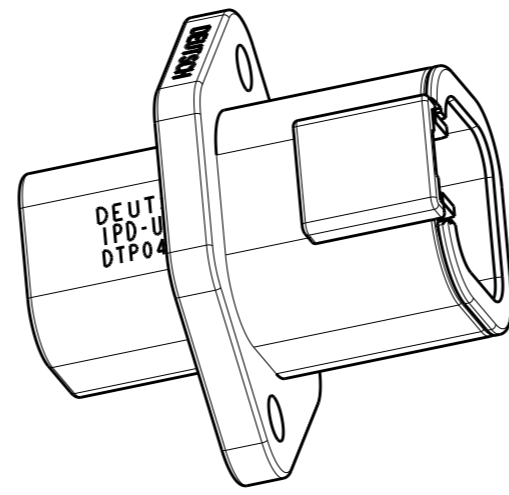


THIS DRAWING IS UNPUBLISHED
 RELEASED FOR PUBLICATION 2015
 © COPYRIGHT 2015 BY - TE CONNECTIVITY ALL RIGHTS RESERVED.

P	LTR	DESCRIPTION	DATE	DWN	APVD
C		REVISED PER E.O. P17309	14JUN2001	-	RDR
D		REVISED PER E.O. P20373	23DEC2009	-	RDR
E		REVISED PER ECO-15-003592	10APR2015	VNB	DM
E1		REVISED PER ECO-16-015651	31OCT2016	JA	DM



2X Ø .194 [4.93]
 CLEARANCE FOR #8 [M4.5]



5 DATE CODE: MONTH IS REPRESENTED BY SEQUENTIAL ALPHA CHARACTERS. EX: A=JANUARY. YEAR IS REPRESENTED BY THE LAST DIGIT. EX: 8=2008

4 MATERIAL:
 RECEPTACLE: PA66 GF15 (GREY)
 SEAL RETAINER: PA66 GF15 (GREY)
 INTERFACE SEAL: SILICONE, PHENYL FLUID LUBED (GREEN)
 FLANGE: PA66 GF15 (GREY)

3. THIS RECEPTACLE MATES WITH DTP06-4S-XXXX PLUG. (XXXX = ALL MODIFICATIONS)

2. SECONDARY WEDGE LOCK SOLD SEPARATELY: WP-4P-XXXX (XXXX = ALL MODIFICATIONS)

1 DIMENSION TOLERANCE: ±.025 [.64], EXCEPT FOR PANEL CUTOUT: ±.010 [.25]. SEE SHEET 2.

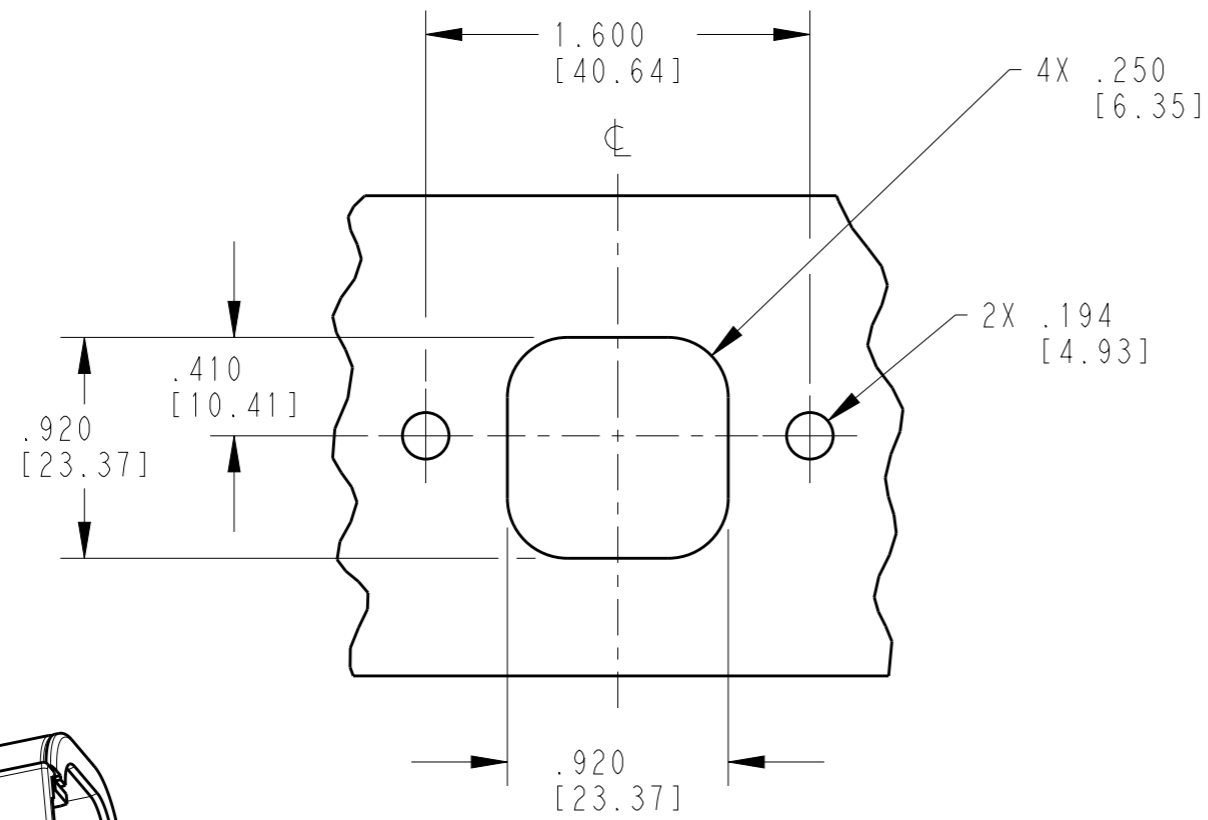
NOTES:

TE INTERNAL PN	DEUTSCH PN
DTP04-4P-L012	DTP04-4P-L012

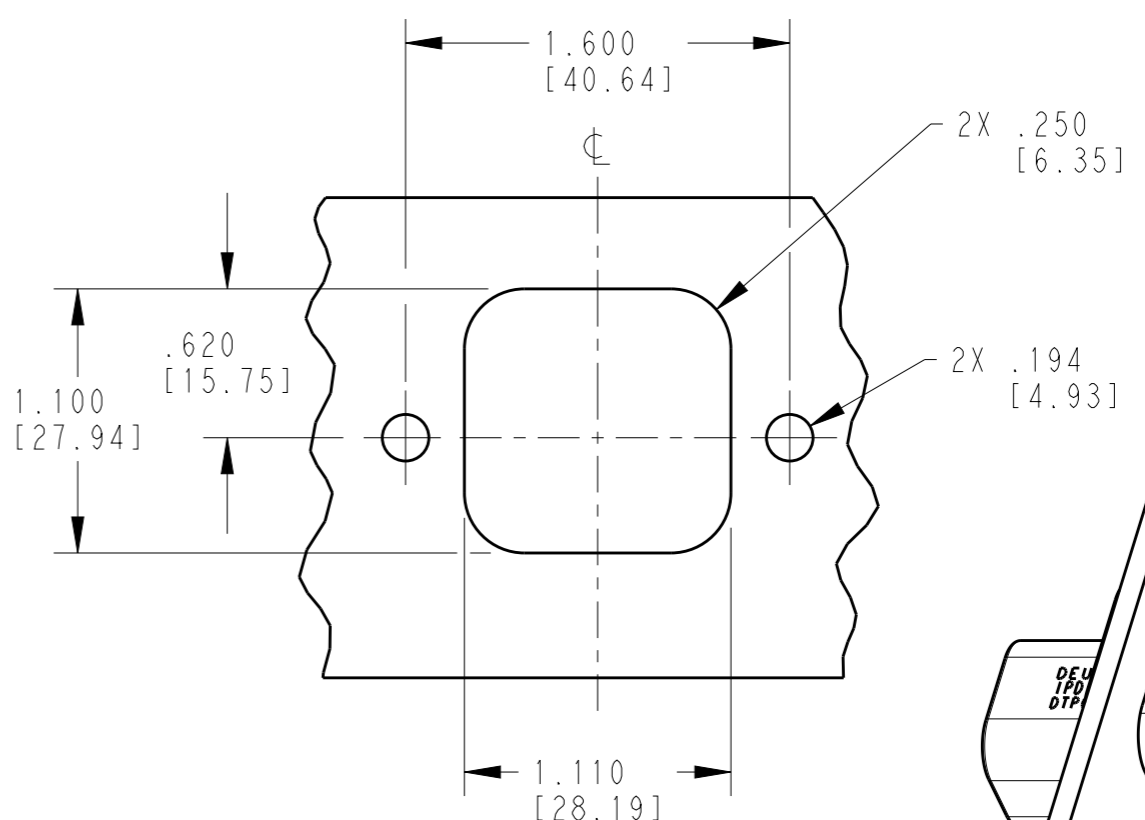
CONTACT SIZE	MIN. INSUL. O.D.	MAX INSUL. O.D.	WIRE RANGE [mm ²] REF ONLY
12	.134 [3.40]	.170 [4.32]	10-14 AWG [5.0-2.0]

THIS DRAWING IS A CONTROLLED DOCUMENT.		DWN S. PALLUTH 24OCT2000	TE TE Connectivity	
DIMENSIONS: INCHES [mm]		CHK B. BAYFORD 23DEC2009		
TOLERANCES UNLESS OTHERWISE SPECIFIED:		APVD R. REED 18DEC2009	NAME RECEPTACLE 4 CONTACTS, SIZE 12 DTP SERIES	
0 PLC ± 1		PRODUCT SPEC	SIZE A3 CAGE CODE 4AFU8 DRAWING NO. DTP04-4P-L012 RESTRICTED TO	
1 PLC ± 2		APPLICATION SPEC	SCALE 2:1 SHEET 1 OF 2 REV E1	
2 PLC ± 3		WEIGHT 21.2g		
3 PLC ± 4		CUSTOMER DRAWING		
4 PLC ±				
ANGLES ±				
FINISH				

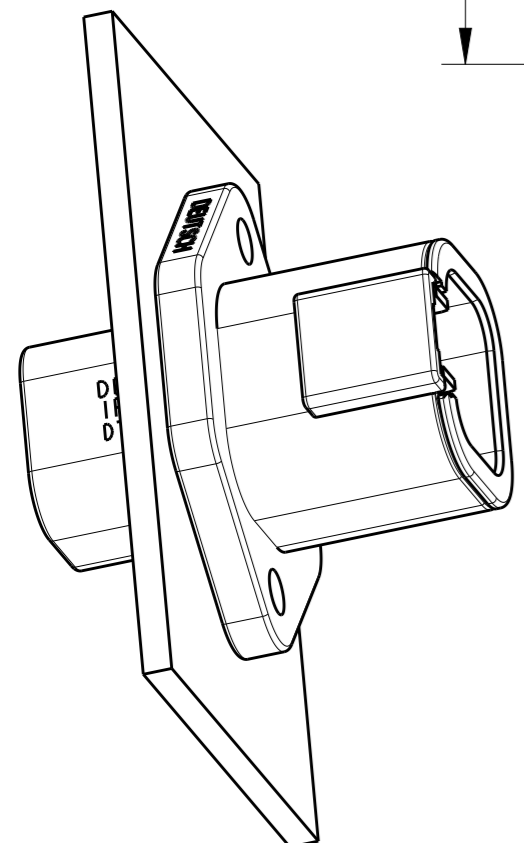
LOC	DIST	REVISIONS			
P	LTR	DESCRIPTION	DATE	DWN	APVD
		SEE SHEET 1	-	-	-



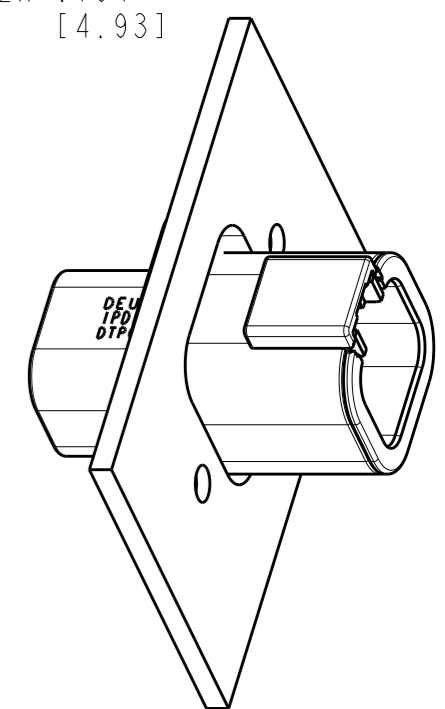
**RECOMMENDED CUTOUT
FRONT MOUNT**




**RECOMMENDED CUTOUT
REAR MOUNT**



**FRONT MOUNT
REFERENCE VIEW**



**REAR MOUNT
REFERENCE VIEW**

THIS DRAWING IS A CONTROLLED DOCUMENT.		DWN S. PALLUTH 24OCT2000	 TE Connectivity		
DIMENSIONS: INCHES [mm]		CHK B. BAYFORD 23DEC2009			
TOLERANCES UNLESS OTHERWISE SPECIFIED:		APVD R. REED 18DEC2009	NAME RECEPTACLE 4 CONTACTS, SIZE 12 DTP SERIES		
0 PLC ± 1 PLC ± 2 PLC ± 3 PLC ± 4 PLC ± ANGLES ±		PRODUCT SPEC	RESTRICTED TO		
MATERIAL 4		APPLICATION SPEC 0425-015-0000	SIZE A3	CAGE CODE 4AFU8	DRAWING NO. DTP04-4P-L012
FINISH		WEIGHT 21.2g	SCALE 2:1	SHEET 2 OF 2	REV E1
CUSTOMER DRAWING					