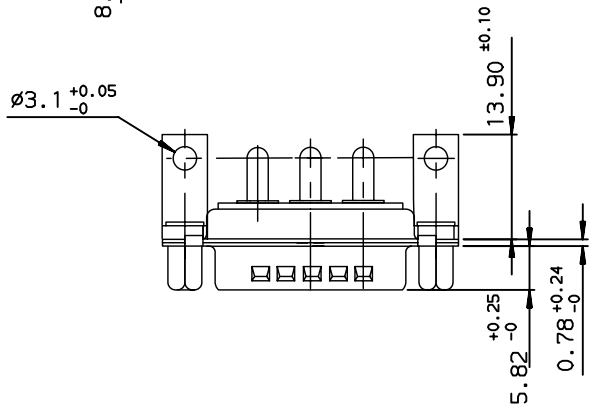
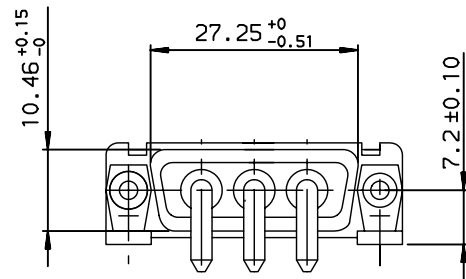
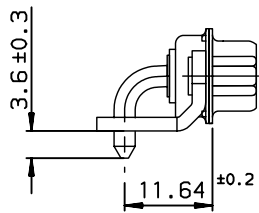
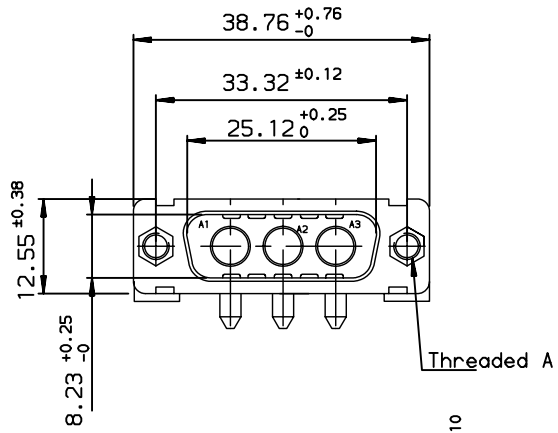
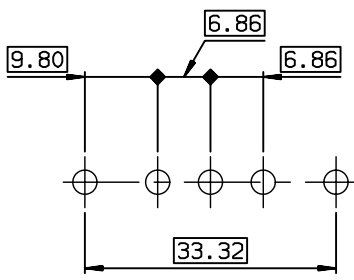


GENERAL CHARACTERISTICS : SEE DRAWING C01-8639-0001



LAYOUT DIMENSIONS (after plating)  
CONNECTOR SIDE VIEW

DAI3W3P500M40	M3
DAV3W3P500M40	UNC 4.40
PART NUMBER	Threaded A



European Views

www.fciconnect.com		surface ISO 1302 ✓	tolerance std ISO 406 ISO 1101	projection mm
TOLERANCES UNLESS OTHERWISE SPECIFIED				
Dr	PESSON	2003/09/29	ANGULAR	0.X ±0.1
Eng	PESSON	2003/09/29	LINEAR	0.XX ±0.1
Chr	LEGARE	2003/09/29	0.XX ±2°	0.XXX ±0.1
Appr	LEGARE	2003/09/29	Product family	SUB Spec ref -
title PIN CONNECTOR FOR POWERS CONTACTS			dwg no C01-8639-1794	Rev. C
catalog no			CUSTOMER	sheet 1 of 1

rev	ecn no	dr	date
B	-	MPE	2003/09/29
C	LS07-0094	MPE	2007/04/05
-	-	-	-
-	-	-	-
-	-	-	-
-	-	-	-

Copyright FCJ