

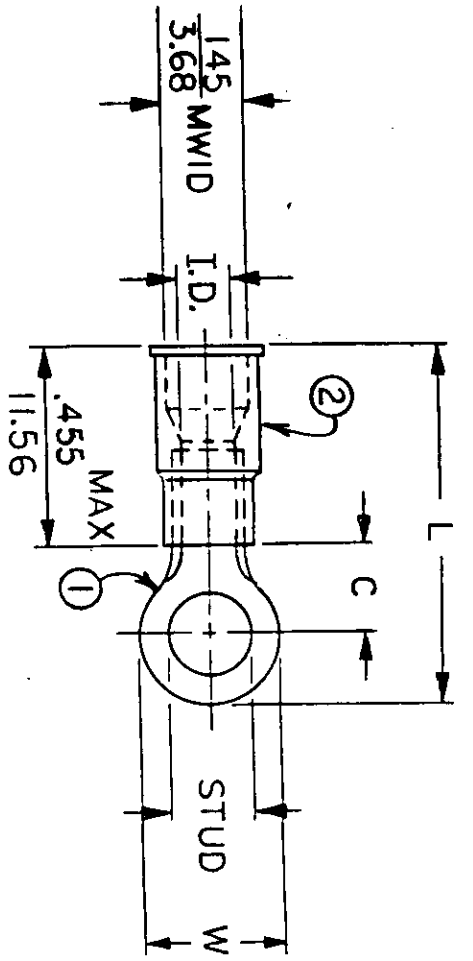
- ① MAT'L: COPPER
- PLATING: ELECTRO-TIN (.0003 MIN.)
- ② INSULATION: MOLDED PVC (RED)

STUD SIZES: (+.005)

02 = .094
 04 = .119
 06 = .146
 08 = .173
 10 = .198
 14 = .265
 56 = .328
 38 = .390

"UL" LISTING #E32244
 "CSA" LISTING #18689

ALL DIMENSIONS = INCHES
 M M



MWID = MAXIMUM WIRE
 INSULATION DIAMETER
 WIRE SIZE: 22-18 AWG
 .25-1.5 MM²

PART NUMBER	"W" ±.010	"C" MIN.	"L" MAX.	"ID" MIN.	AVAILABLE STUD SIZES	STOCK THICKNESS
A-220-	.225 5.71	.157 3.99	.759 19.28	.062 1.57	02X, 04X, 06X	.028 ^{+.001} _{-.000} .71
A-221-	.312 7.92	.270 6.86	.946 23.26	.062 1.57	06X, 08X, 10X	.028 ^{+.001} _{-.000} .71
A-222-	.467 11.86	.386 9.80	1.110 28.19	.062 1.57	10X, 14X, 56X	.031 ^{+.001} .79
A-226-	.534 13.56	.552 14.02	1.309 33.25	.054 1.37	10X, 14X, 56X, 38X	.028 ^{+.001} _{-.000} .71
A-232-	.254 6.45	.240 6.10	.857 21.77	.062 1.57	04X, 06X, 08X	.028 ^{+.001} _{-.000} .71

DIMENSIONAL TOLERANCES UNLESS OTHERWISE SPECIFIED

REFERENCE SCALE: NTS

DATE

TITLE:

RING TONGUE
 TERMINAL
 INSULKRIMP
 200-SERIES



DWG. NO. A CUSTOMER DWG.

FRAC.	DEC.	ANG.
±	±	±

DRWN. BY: K-	CHKD. BY: GZ	APPRD. BY:
10-23-84	11-9-84	