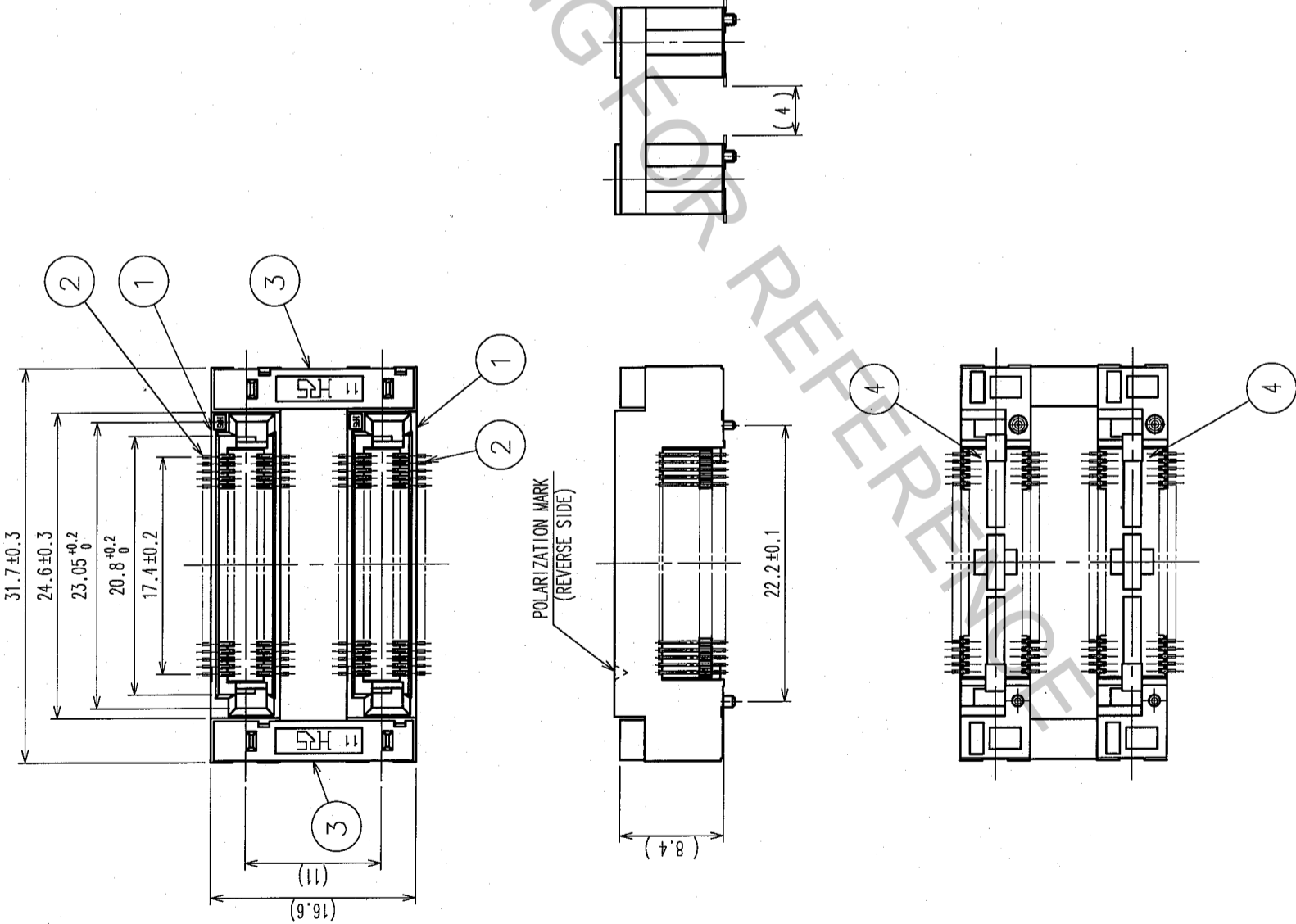
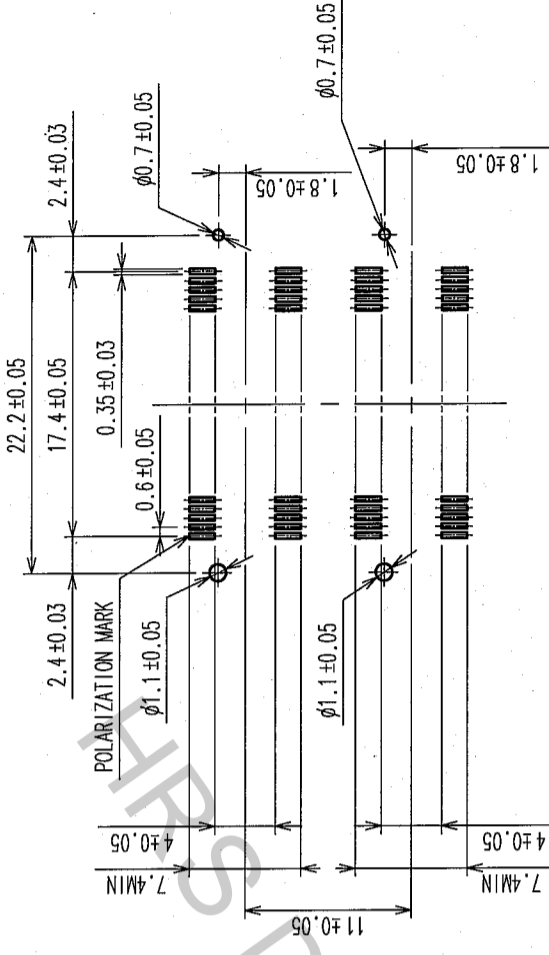


COUNT	DESCRIPTION OF REVISIONS	BY	CHKD	DATE	COUNT	DESCRIPTION OF REVISIONS	BY	CHKD	DATE
△									
△									
△									



RECOMMENDED LAND PATTERN DIMENSION
OF PCB (MOUNTING SIDE)



- NOTES
- 1 LEAD CO-PLANARITY SHALL BE 0.1mm MAX.
 - 2 AFTER MOUNTING BOARD, REF. NO.3 SHALL BE REMOVED.
 - 3 FOR MODIFICATION, ETC., PREVENTIVE HOLE FOR SINK MARK MAY BE ADDED DEPENDS ON CIRCUMSTANCES.
 - 4 THE DIMENSIONS IN PARENTHESES ARE FOR REFERENCE.

1,3,4	PPS	LIGHT BROWN (UL94V-0)	2	PHOSPHOR BRONZE	CONTACT AREA: GOLD 0.1μm min. LEAD AREA: TIN-PLATING 1μm min. UNDER PLATING: NICKEL 1μm min.
NO.	MATERIAL	FINISH, REMARKS	NO.	MATERIAL	FINISH, REMARKS
CL	CL				
DESIGNED		DRAWN		APPROVED	
A. SUZUKAWA		A. SUZUKAWA		<i>(Signature)</i>	
06. 1.24		06. 1.24		06. 01. 30	
		DRAWING NO.		PART NO.	
		EDC3-150971-25		FX8C-60/60S11-SV5J (71)	
		SCALE		CODE NO.	
		2 : 1		CL578-0921-4-71	
		UNITS		1/2	
		JIS			

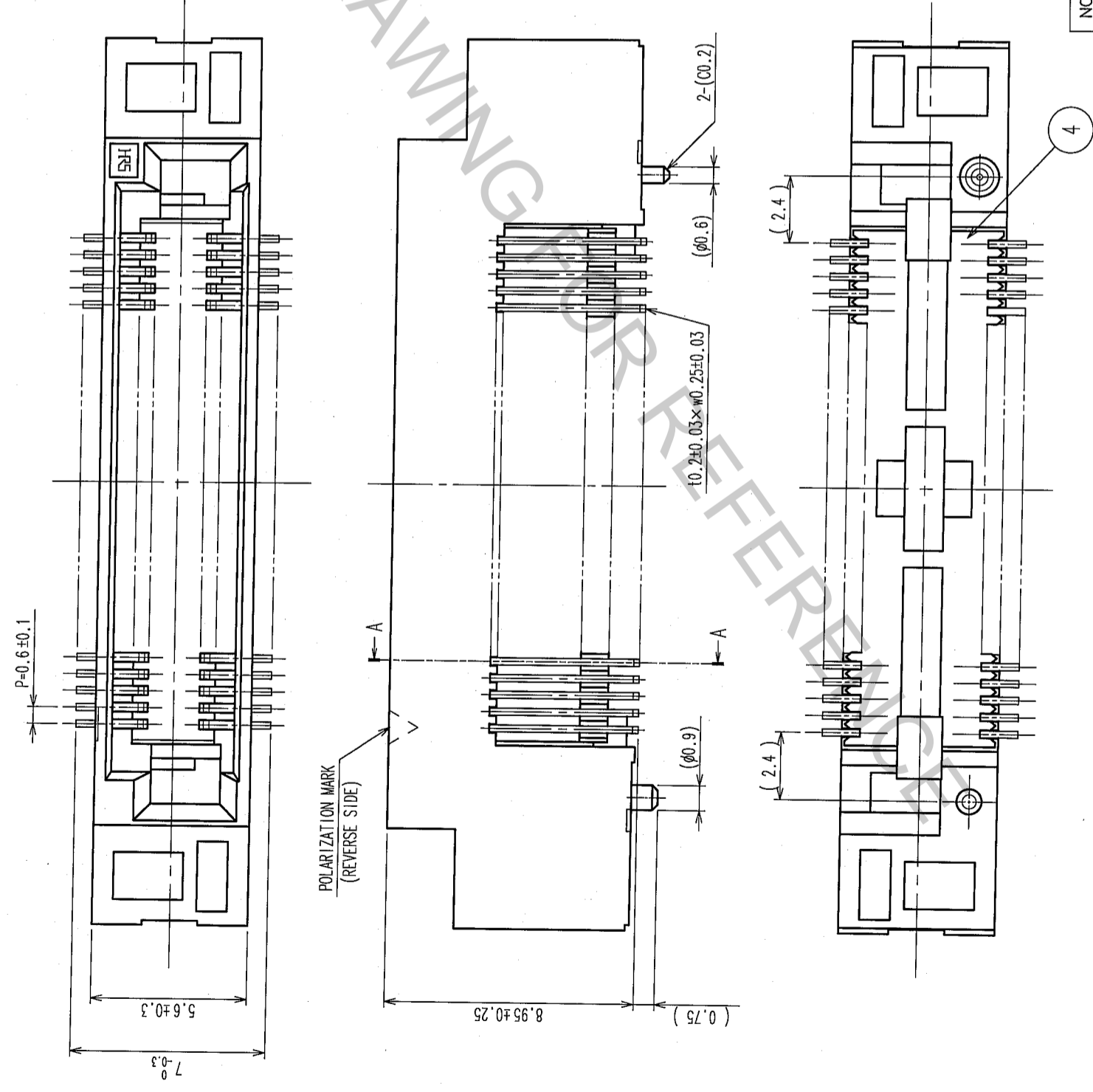
TO	
PCK	



HIROSE ELECTRIC CO., LTD.

COUNT	DESCRIPTION OF REVISIONS	BY	CHKD	DATE	COUNT	DESCRIPTION OF REVISIONS	BY	CHKD	DATE
△					△				
△					△				
△					△				

DETAIL AFTER REMOVING JOINT



NOTE THE DIMENSIONS IN PARENTHESES ARE FOR REFERENCE.

TO	
PCK	

NO.	MATERIAL	FINISH, REMARKS	NO.	MATERIAL	FINISH, REMARKS
CL					
DRAWING NO. EDC3-150971-25		PART NO. FX8C-60/60S11-SV5J(71)		APPROVED	
SCALE 5 : 1		DRAWN A. SUZUKAWA		CHECKED T. Oyamada	
UNITS mm		DESIGNED W. Nakamura		RELEASED	
		DATE 06.1.24		DATE 06.01.30	
		DRAWN BY		DATE 06.01.30	
		CODE NO. CL578-0921-4-71		DATE	
		HIROSE ELECTRIC CO., LTD.		DATE	