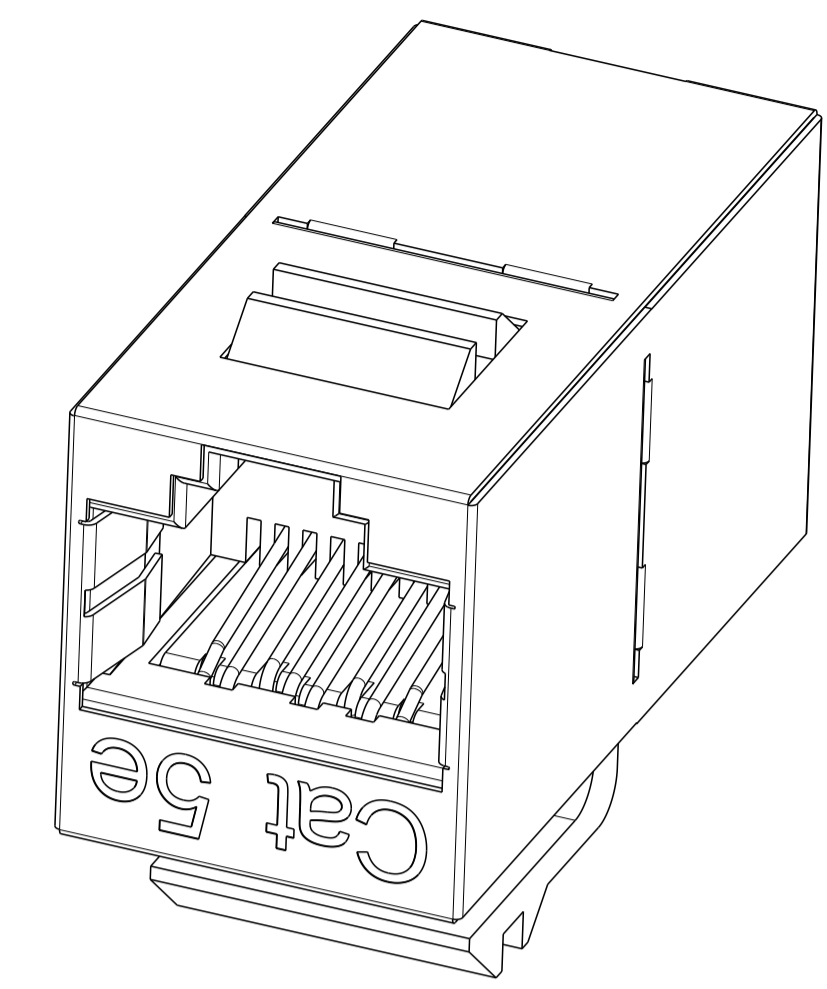
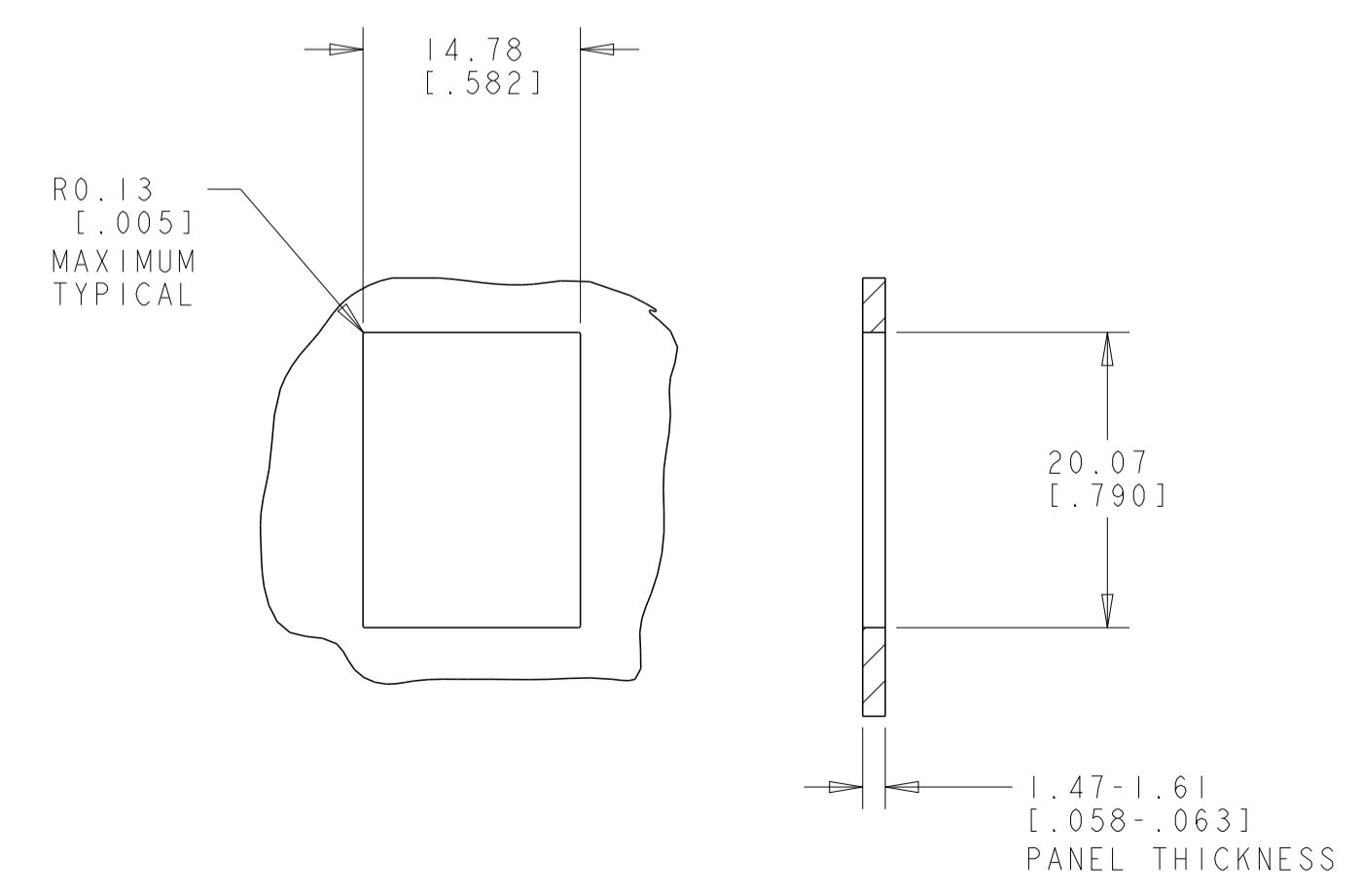
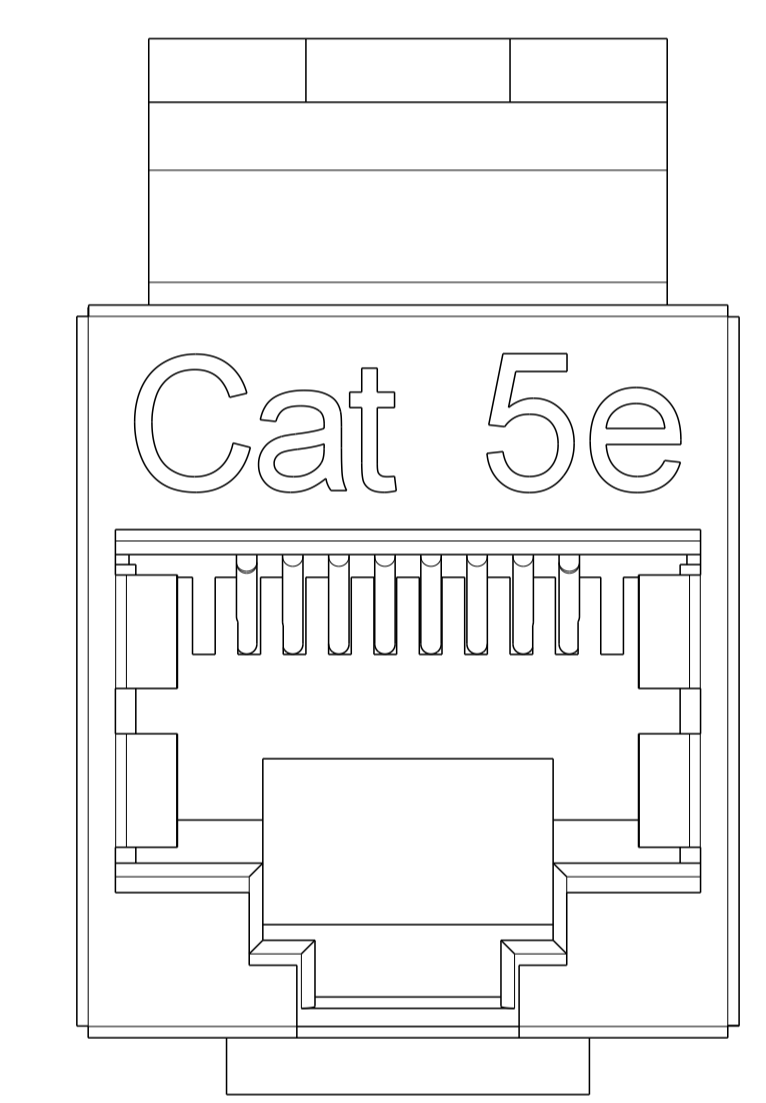
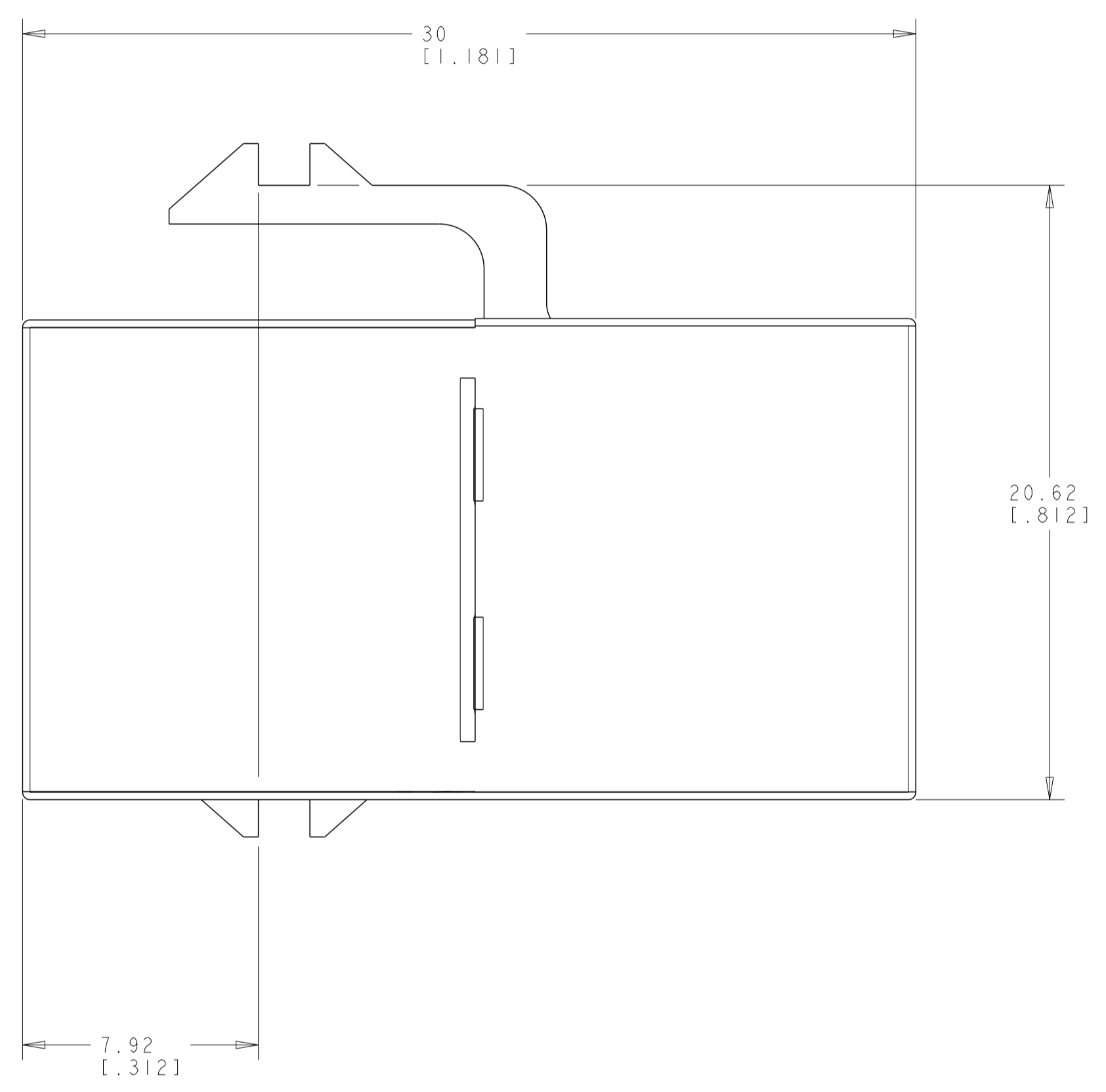
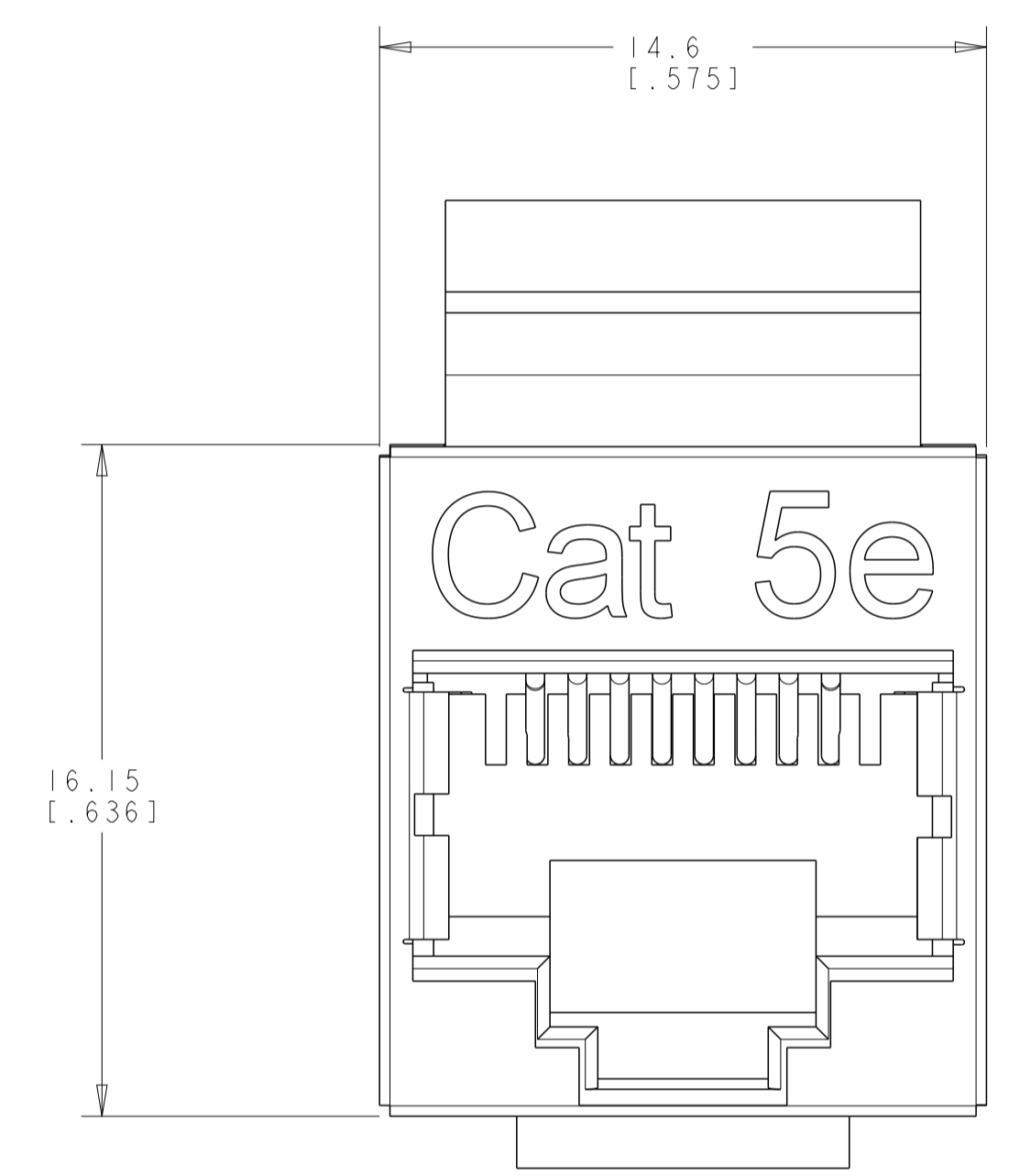


REVISIONS				
P	LTN	DESCRIPTION	DATE	APVD
A	RLSD;	ECO-09-027567	14DEC2009	GG RA
B	REV:	40024240MCO	19AUG2015	GG RA

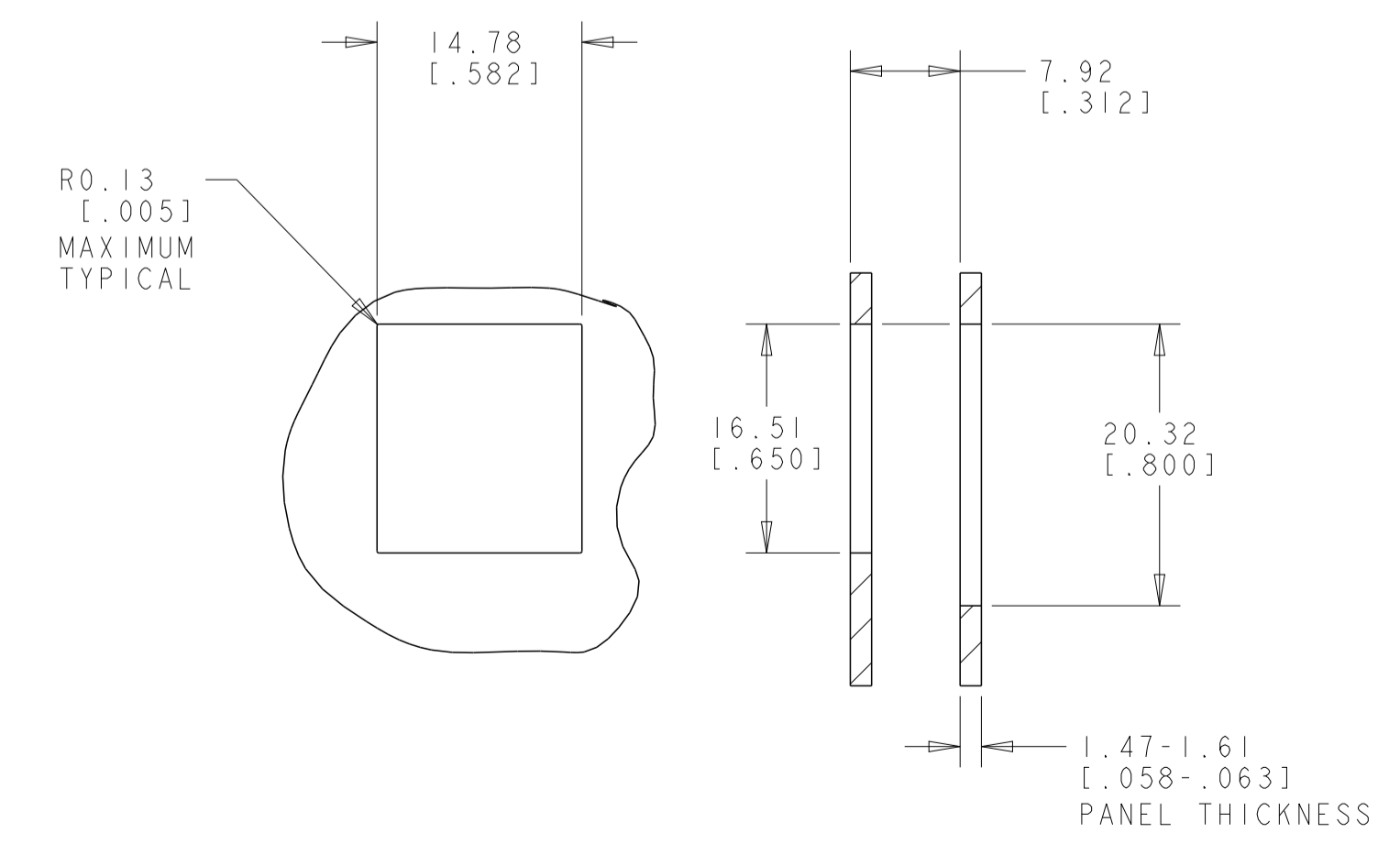


SCALE 4:1

- 1. ALL DIMENSIONS SHOWN ARE NOMINAL UNLESS OTHERWISE SPECIFIED.
- 2. MATERIAL:
 SHIELDED CASE - COPPER C2680, T=0.25MM, 30u" NICKEL PLATED
 COUPLER HOUSING - ABS HIGH-IMPACT UL94V-0 THERMOPLASTIC
 CONTACTS - PHOSPHOR BRONZE, 50u" GOLD OVER 50u" NICKEL UNDERCOAT.
- 3. MOUNTING PANEL THICKNESS .062 [1.57] NOMINAL.



SINGLE PANEL CUTOUT



SUGGESTED FLUSH MOUNT
 PANEL APPLICATION CUTOUT

2111122-1
 PART NUMBER

THIS DRAWING IS A CONTROLLED DOCUMENT.		DWN G. GARRETT 18NOV2009	TE Connectivity
DIMENSIONS: INCHES [MM]		CHK R. ASHBY 18NOV2009	
DIMENSIONS: INCHES [MM] 0 PLC ± 1 PLC ± 2 PLC ± 3 PLC ± 4 PLC ± ANGLES ± FINISH ±		TOLERANCES UNLESS OTHERWISE SPECIFIED: ± ± ± ± ± ±	NAME COUPLER, SL, INLINE, CAT5E, SHIELDED - APPLICATION SPEC - SIZE CAGE CODE DRAWING NO A100779C=2111122 RESTRICTED TO -
MATERIAL		APVD R. ASHBY 18NOV2009	WEIGHT -
Customer Drawing		SCALE 6:1	SHEET 1 OF 1 REV B