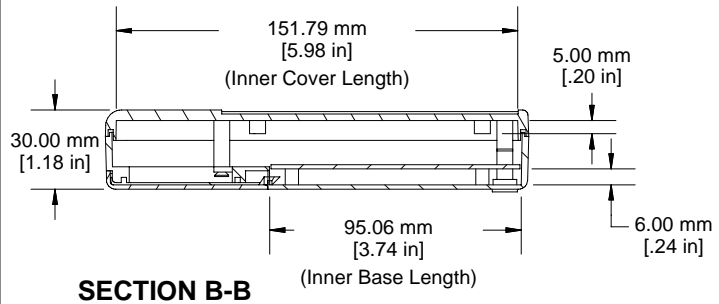
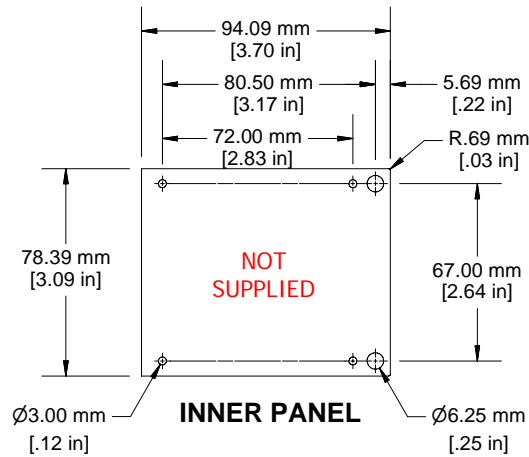


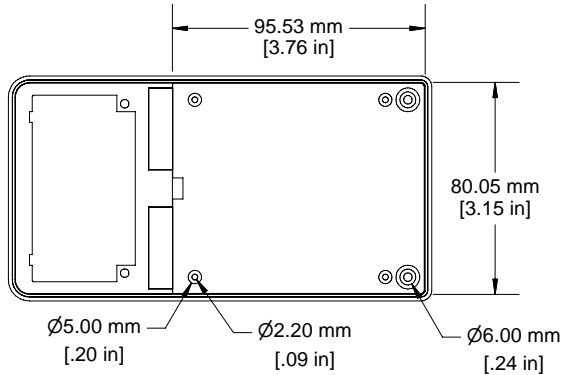
SECTION A-A



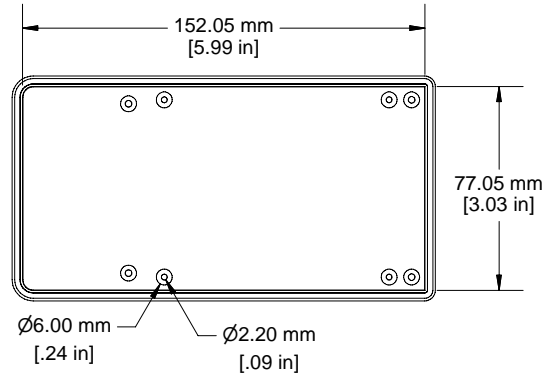
SECTION B-B



INNER PANEL



BOX - INSIDE



LID - INSIDE

Enclosures can be Factory Modified (Milling, Drilling, Printing etc.)
 Contact Factory mjm@hammondmfg.com for quotes
 Solid models of this enclosure available in STEP or IGES.

PART NUMBERS	
RH3055 Enclosure	
Material: ABS (UL94-HB), Light Gray color	RH3055
Material: ABS (UL94-HB), Black color	RH3051BK
ACCESSORIES	
Lid Screws: M3 x 18	
Circuit Board Screws, 4 Supplied (M2.6 self tap)	
Suggested Lid Screw Torque: 30 ozf-in (21 cN-m)	

**HAMMOND
MANUFACTURING™**

RH3055

www.hammondmfg.com