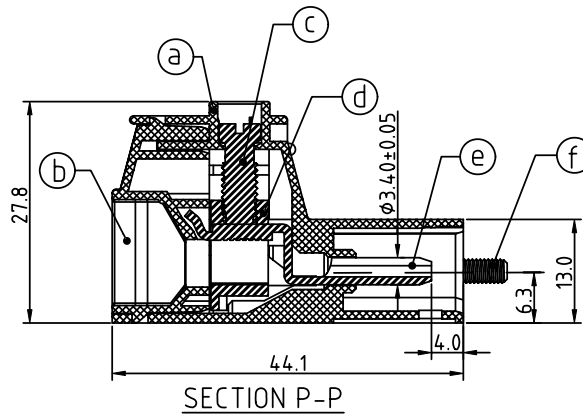
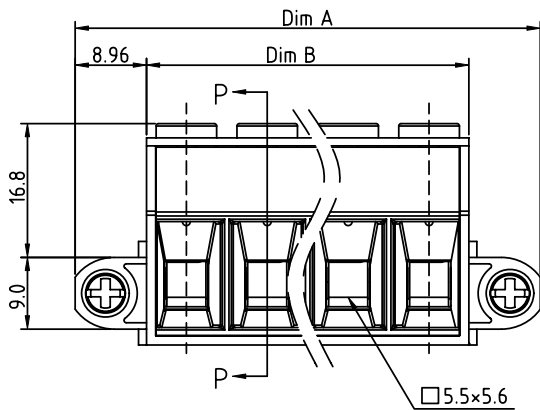
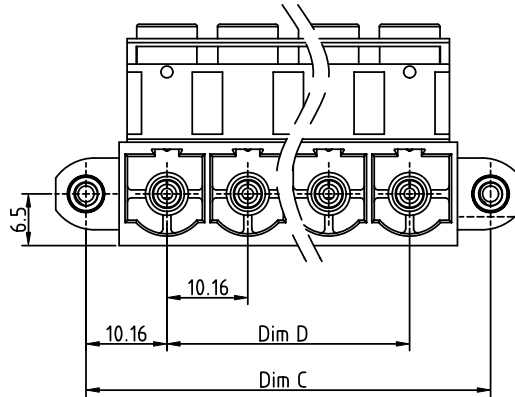
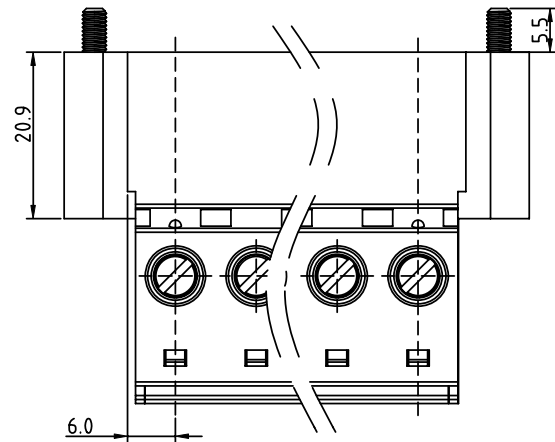


| | |
|----------------|----------|
| PRODUCT NUMBER | PITCH |
| KKxx61x100J0G | 10.16 mm |



Material:

- Item (a) Terminal body: Thermoplastic (UL94V-0)
 - Item (b) Terminal cover: Thermoplastic (UL94V-0)
 - Item (c) Terminal screw: Steel Zinc plating "-" slot type
 - Item (d) Clamp: Brass, Ni plated
 - Item (e) Pin: Copper Gold plated
 - Item (f) With flange screw: Steel Zinc plating M3"+/-" combination type
- Electrical cULus
- Voltage rating: 300VAC
 - Current rating: 55A
 - Solid wire: 6-20
 - Stranded wire: 6-20
 - Torque: 18 Lb-In
 - Screw: M4.5
 - Wire strip length: 13-14mm
 - Withstanding Voltage: 1.6KV
 - Operating temperature: -40°C to +115°C
 - Safety Approval:

N=Number of poles

| | |
|-------|------------------------------|
| Dim A | $N \times 10.16 + 17.76$ |
| Dim B | $N \times 10.16 - 0.16$ |
| Dim C | $(N-1) \times 10.16 + 20.32$ |
| Dim D | $(N-1) \times 10.16$ |

| Poles | Tolerance |
|---------|------------|
| 2P-4P | ± 0.25 |
| 5P-7P | ± 0.30 |
| 8P-10P | ± 0.35 |
| 11P-12P | ± 0.45 |

PART NO.: **KK xx 61 x 1 00J0 G**

- | | | |
|--------------|---------------------|-----------------|
| | Color | RoHS compliant |
| Solid block | 0 Black (RAL9005) | (lead<4%) |
| No. of poles | 2 Red (RAL3001/D) | In copper Alloy |
| 02 2 poles | 3 Orange(RAL2011/P) | |
| 03 3 poles | 4 Yellow(RAL1018/A) | |
| ... | 5 Green(RAL6018/T) | |
| 12 12 poles | 6 Blue (RAL5015/A) | |
| | 8 Grey(RAL7035/D) | |
| | 9 White(RAL1102) | |
| | C Green(RAL6018/U) | |

| | | | | | |
|---------------------------------------|----------------|-----------------------|-------------------------|--------------------------|-----------------------------------|
| mat'l. code | | surface ASME Y14.5 | tolerance ASME Y14.5 | projection | product family TERMINAL BLOCK |
| ltr | ecn no | dr | date | MM | title TERMINAL BLOCK |
| tolerances unless otherwise specified | | | | | |
| angles | | X. \pm 0.5 | | scale | PLUGGABLE PLUG, FLANGE WITH SCREW |
| X \pm 1° | | X.X \pm 0.3 | | | |
| dr | | EVIN ZHONG | 050514 | | sheet 1 of 1 size A4 |
| enr | | EVIN ZHONG | 050514 | | |
| chr | | HANKE FENG | 050514 | | |
| appd | | SHI JUN | 050514 | | |
| sheet index | revision sheet | A | 1 | type CUSTOMER Drawing | |