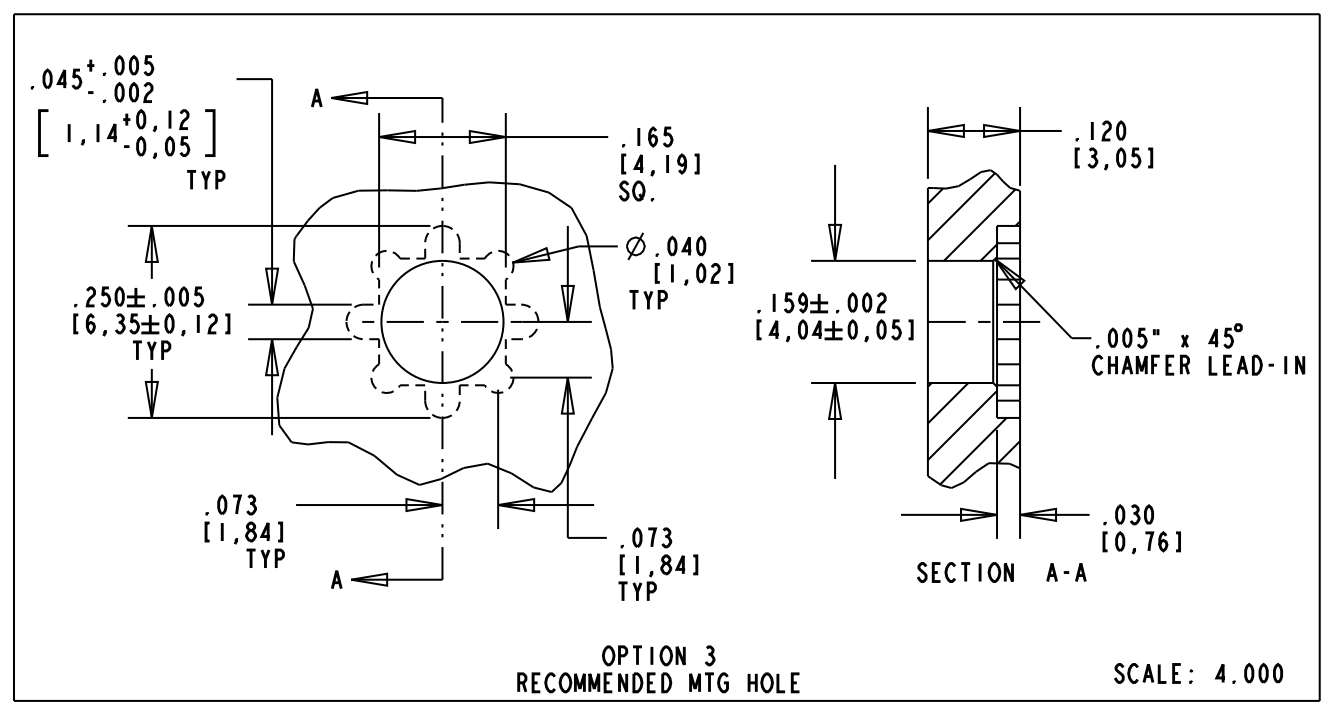
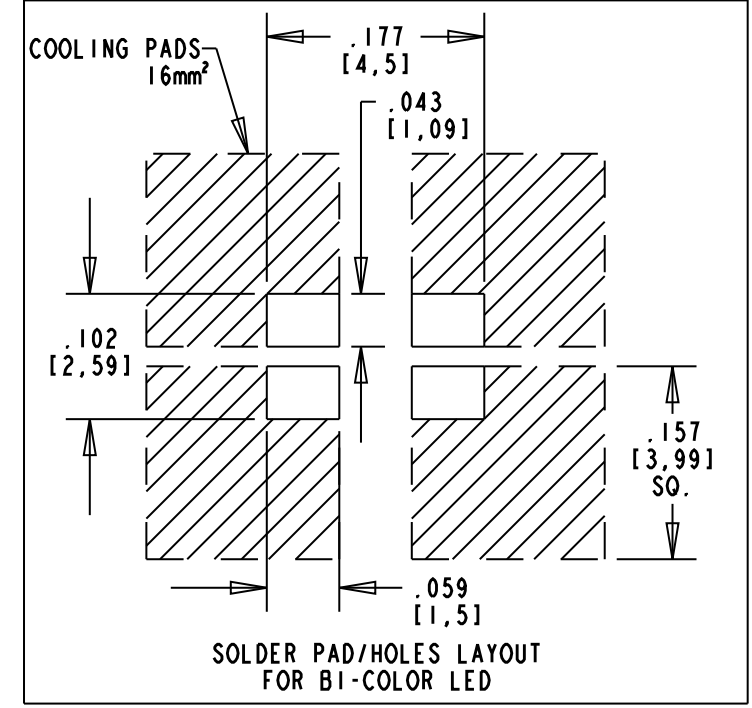
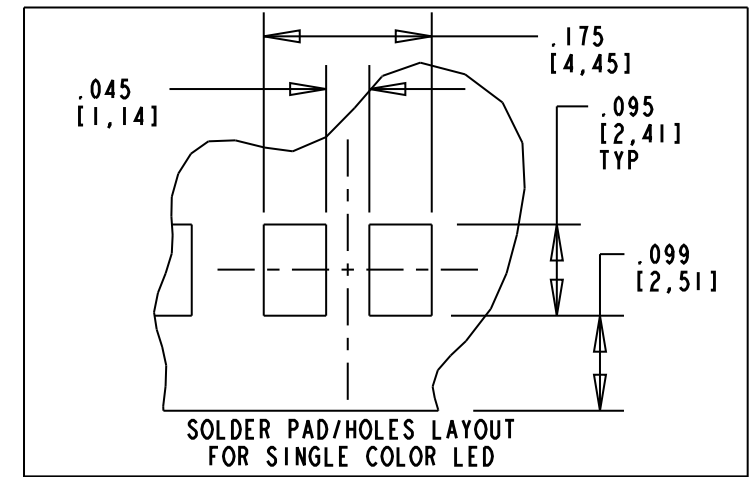
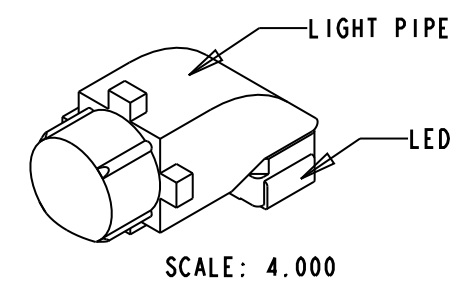
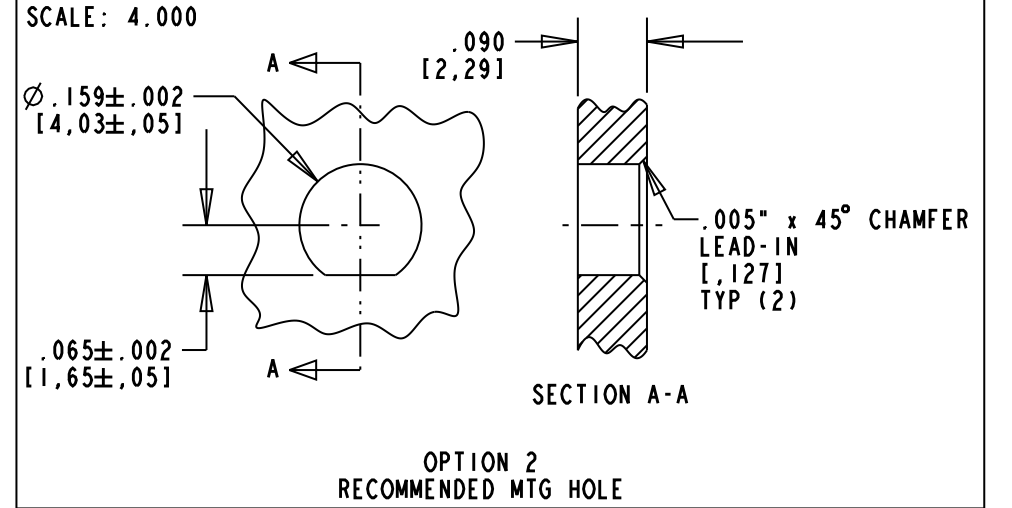
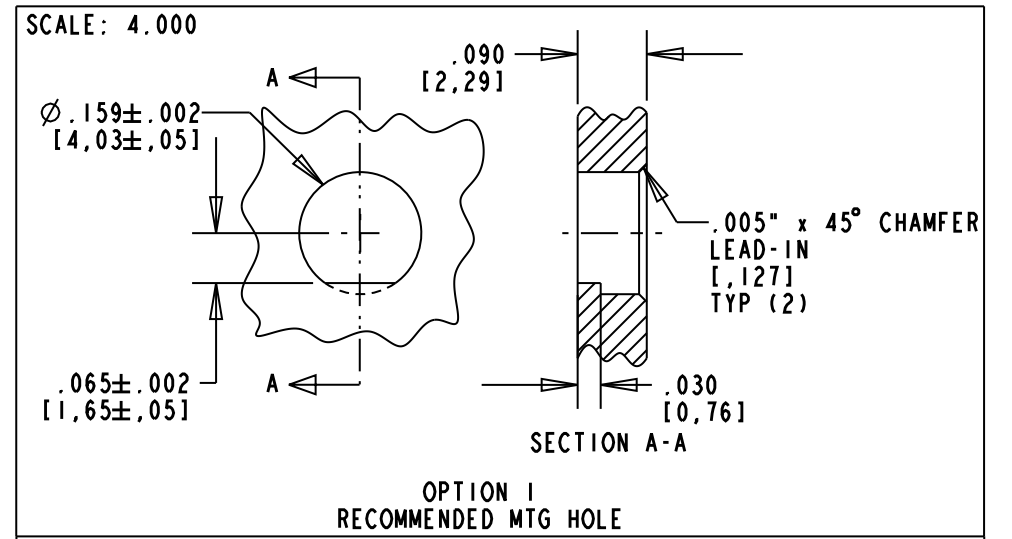


RoHS COMPLIANT 515-1096F
 Part Numbers with the "F" suffix ending are
 RoHS Compliant. Packaging is marked with
 "RoHS Compliant" label or equivalent markings.

REV	ECN NO	REVISIONS	DRN	CKD	APP	DATE
A		NEW RELEASE	MC	DC	NO	2-17-99
B		ADDED PANEL MTG HOLE OPTIONS 1, 2, & 3; ADDED PANEL THICKNESS, CROSS SECTION, DUAL DIMENSIONS, AND BI-COLOR LED PAD LAYOUT.	AJF	KLJ	NO	9-8-09
C		REVISED MTG HOLE OPTION 3	AJF	KLJ	NO	12-17-09



- NOTES:
 1. COMPONENT TO BE MOLDED IN A CLEAR TRANSMISSIVE POLYCARBONATE.
 2. COMPONENT DESIGNED TO BE PRESSED INTO FRONT PANEL.
 3. RECOMMENDED LED:
 SINGLE COLOR: DIALIGHT SERIES 597-3XXX-207F
 BI-COLOR: DIALIGHT SERIES 597-77XX-207F
 4. DIALIGHT PART NUMBER: 515-1096F.



THIS DRAWING AND THE CONTENTS HEREIN ARE CONFIDENTIAL AND THE SOLE PROPERTY OF DIALIGHT. REPRODUCTION OF THIS DRAWING OR CONSTRUCTION OF ANY PARTS WITHIN THIS DRAWING ARE FORBIDDEN WITHOUT THE WRITTEN CONSENT OF DIALIGHT.		
SCALE: 8.000 ALL DIM'S IN: INCHES (MM)	DRAWING NUMBER C-16456	REV C
TOLERANCES: UNLESS OTHERWISE SPECIFIED FRACTIONS: ±1/64 DECIMALS (.XX): ±.02 DECIMALS (.XXX): ±.015	TITLE SINGLE-ELEMENT LIGHTPIPE	
ANGLES: ±3° FINISH:	MATERIAL	
FSCM 83330	Dialight 1501 ROUTE 34 SOUTH FARMINGDALE, NJ 07727	
	SHEET 1 OF 1	FAMILY TABLE: