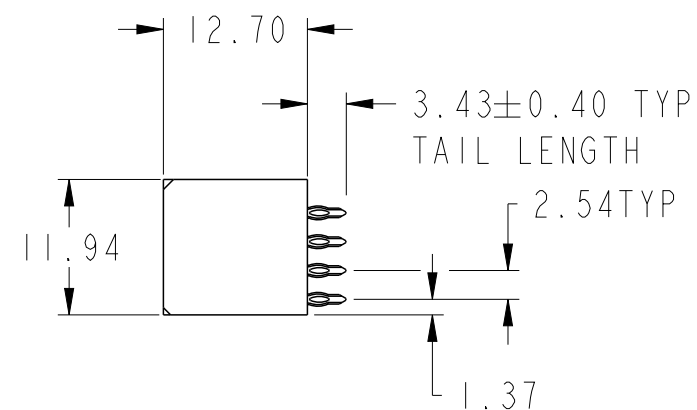
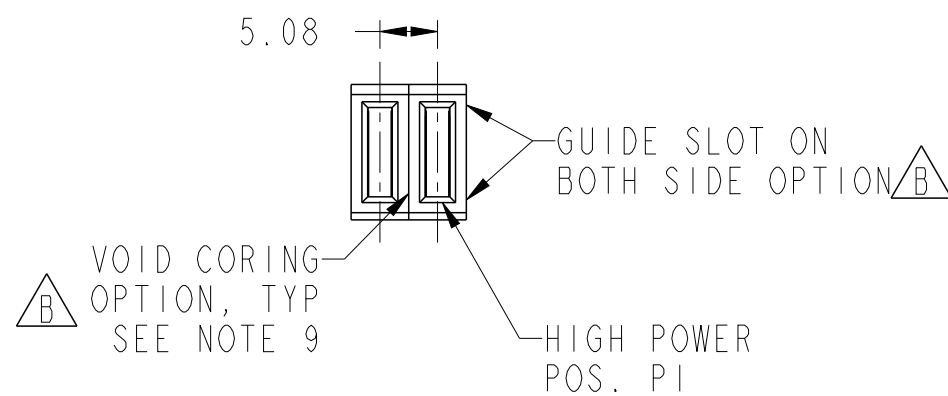
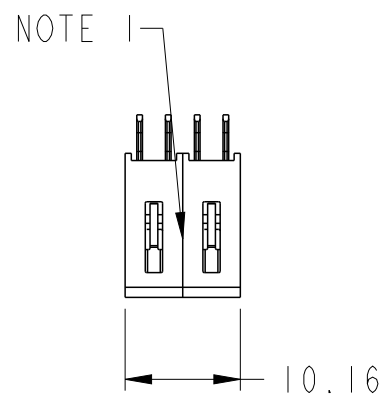
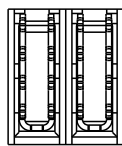


PRODUCT NUMBER SEE SHEET 2



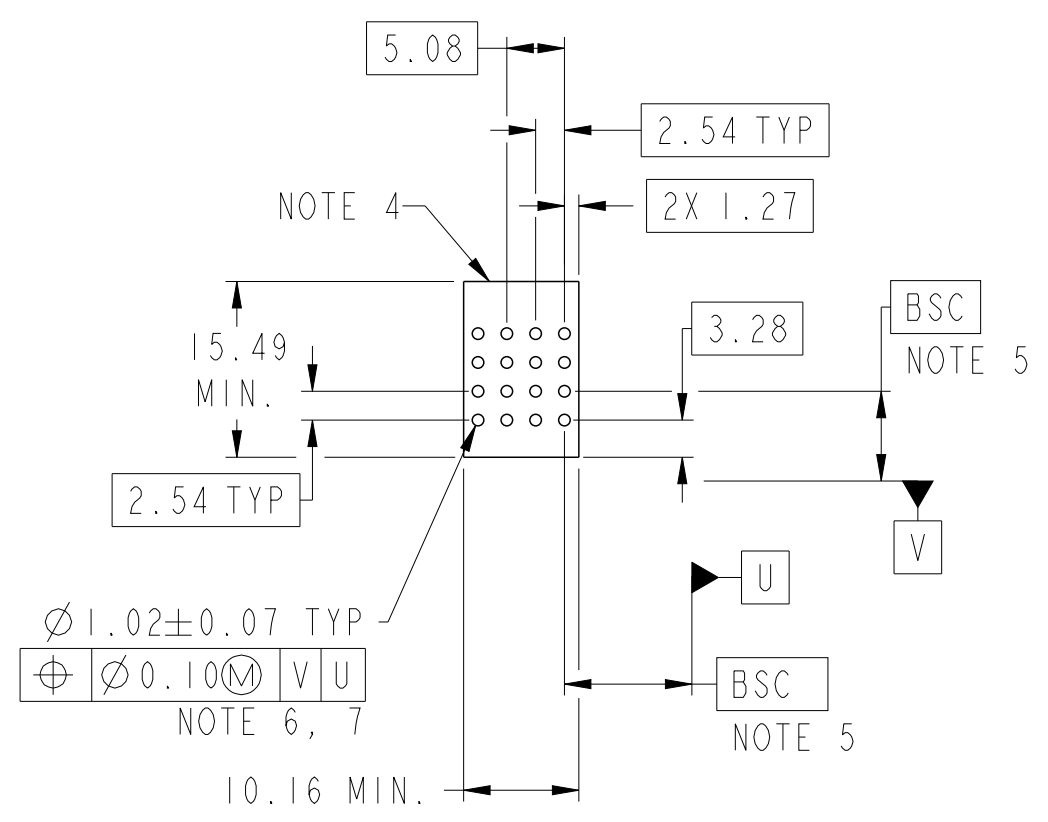
spec ref		dr	Helen Zhang	2013/06/07	projection	MM	size	A3	scale	3:2
tolerance std ASME Y14.5		TOLERANCES UNLESS OTHERWISE SPECIFIED			eng	Vicking Liu	2015/09/15	ecn no ELX-DG-21868-1		
		chr	Fancy Zhang	2015/09/21	product family		PowerBlade+	rel level Released		
		appr	Pei-Ming Zheng	2015/09/21	title		2HDP	dwg no		10106139-2000201
surface \checkmark		linear		0.X	±0.50	www.fci.com		cat. no.		Product - Customer Drw
				0.XX	±0.25	VT PF RECEPTACLE		rev		B
ASME Y14.5		angular		0°	±2°	Product - Customer Drw		sheet 1 of 3		



Copyright FCI.

PRODUCT NO.	ROWS	HP			
		E1	P2	P1	E2
10106139-2000201LF	D C B A		HG	HG	

CODE	DESCRIPTION
HG	STD HIGH POWER CONTACT (3.43)



Copyright FCI.

dr	Helen Zhang	2013/06/07	projection 	MM 	size	A3	scale	3:2
eng	Vicking Liu	2015/09/15			ecn no	ELX-DG-21868-1		
chr	Fancy Zhang	2015/09/21			rel level	Released		
appr	Pei-Ming Zheng	2015/09/21	product family	PowerBlade+				
			title 2HDP VT PF RECEPTACLE		dwg no 10106139-2000201	rev B		
www.fci.com			cat. no.	Product - Customer Drw	sheet 2 of 3			

A

B

C

D


A

B

C

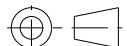


D

NOTES:

- 1) "FCI", PART NUMBER AND DATE CODE TO BE MARKED ON THIS SURFACE.
THE MARK CAN BE OMITTED IF THERE IS NOT ENOUGH SPACE ON THIS SURFACE.
- 2) MATERIALS:
-HOUSING - GLASS FILLED WITH HIGH TEMP THERMOPLASTIC, UL94V-0.
-SIGNAL CONTACT - COPPER ALLOY.
-POWER CONTACT - HIGH CONDUCTIVITY COPPER ALLOY.
- 3) PLATING SPECIFICATION: 10123565
- 4) DENOTES CONNECTOR KEEP OUT ZONE.
- 5) DATUM AND BASIC DIMENSIONS ARE ESTABLISHED BY CUSTOMER.
- 6) ALL HOLE DIAMETERS ARE FINISHED HOLE SIZES.
- 7) 1.15 ± 0.025 MM DRILLED HOLE PLATED WITH 0.00762MM MIN Sn
OVER 0.0254-0.0762MM Cu PLATING TO ACHIEVE A 1.02 ± 0.07 MM HOLE.
- 8) PRODUCT SPECIFICATION: GS-12-658.
APPLICATION SPECIFICATION: GS-20-141.
PRODUCT PACKAGED IN TRAYS: GS-14-1502.
- 9) THE VOID CORING IN BETWEEN POWER MODULES, SIGNAL
MODULES AND END MODULES ARE OPTIONAL AND THE SHAPE
MAY BE DIFFERENT FOR OPTIMIZING THE MOLDING PROCESS. THE
VOID CORING WILL NOT EFFECT TO PRODUCT FUNCTION.
- 10) A  SYMBOL WILL BE NEXT TO ANY DIMENSION, VIEW, OR NOTE
WHICH HAS BEEN MODIFIED WITH THE CURRENT DRAWING REVISION.



Copyright FCI.

dr	Helen Zhang	2013/06/07	projection  	size	A3	scale	1:1	
eng	Vicking Liu	2015/09/15		ecn no	ELX-DG-21868-1			
chr	Fancy Zhang	2015/09/21		product family	PowerBlade+	rel level	Released	
appr	Pei-Ming Zheng	2015/09/21				rev	B	
		title 2HDP VT PF RECEPTACLE		dwg no 10106139-2000201				
www.fci.com		cat. no.		Product - Customer Drw		sheet 3 of 3		