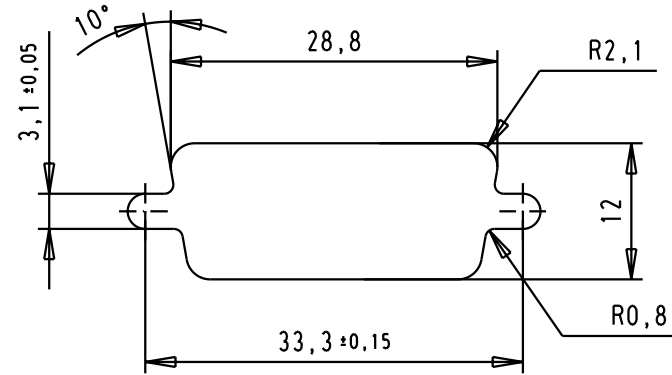


Panel cut out



D

C

B

A

5

4

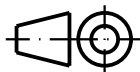
3

2

1

09 67 015 5616	3.1 + 0.1	2					
09 67 015 5607	3.1 + 0.1	3					
Part number	ø hole	Performance level	Mod.	Dat.	Name		

Detail.	17-APR-02	CV							
Insp.									
Stand.									
			29772	17-APR-02	CV	HARTING EURL F-95972 Paris			



All Dim. in mm  
Orig. Size DIN A 4



D-Sub, Male, 15 poles  
wrap posts

TB 096701556xx

Sub.

Maßstab/  
Scale

1.5:1

Blatt / Page

2