

DATA CONTAINED IN THIS DOCUMENT IS PROPRIETARY TO TROMPETER ELECTRONICS INC. AND SHALL NOT BE DISCLOSED, COPIED OR USED FOR PROCUREMENT OR MANUFACTURE WITHOUT EXPRESS WRITTEN PERMISSION OF TROMPETER ELECTRONICS INC.

REVISIONS		310-0072	SH 1
REV	DESCRIPTION	DATE	APPROVED
0	REVISED PER ECO 14192	8-7-01	<i>[Signature]</i>

RED INDICATES ORIGINAL

ASH NO	CABLES ACCOMMODATED	A DIM	B DIM	ASSEMBLE PER
-7	TRC-50-2	.296	2.046	TAI-172
-A7	TRC-75-2	<u>3</u>	<u>3</u>	
-9	TWC-78-2 TWC-124-2	.296	2.046	TAI-171
-23	250-4816-009 MICRODOT	.096	1.864	TAI-172
-29	TWC-78-1 TWC-124-1A			TAI-171
-42	21-204 ESSEX 4463 CONSOLIDATED			TAI-172
-47	M17/176-00002			TAI-171

NCH	MM
005	0.13
060	1.52
096	2.44
296	7.52
374	9.50
437	11.10
500	12.70
513	13.03
.689	42.90
.864	47.35
.046	51.97
.514	63.86

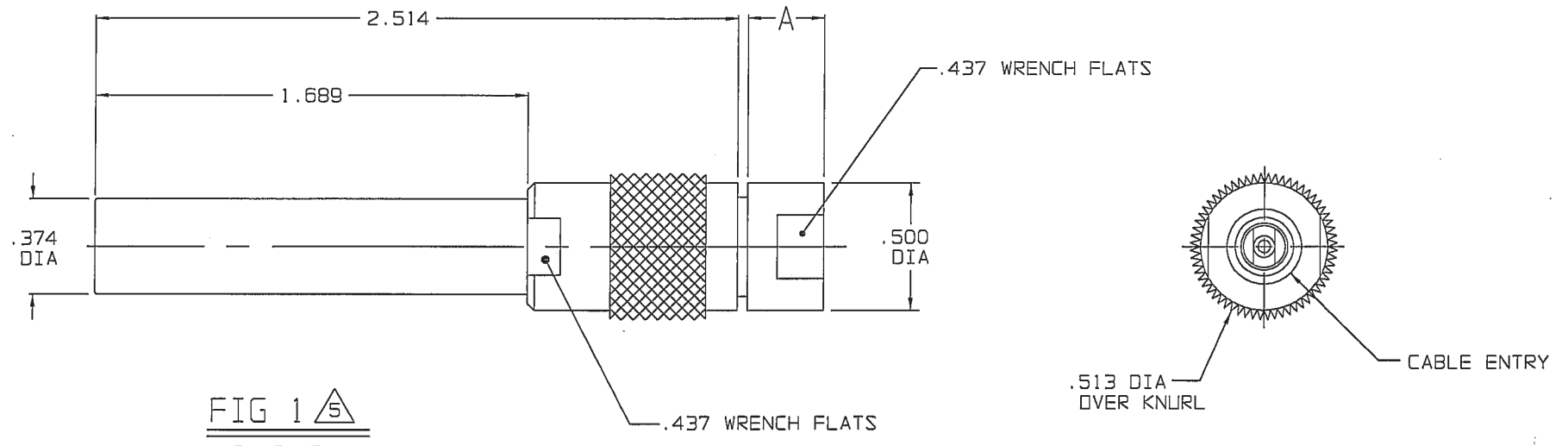


FIG 1 5
-9 SHOWN

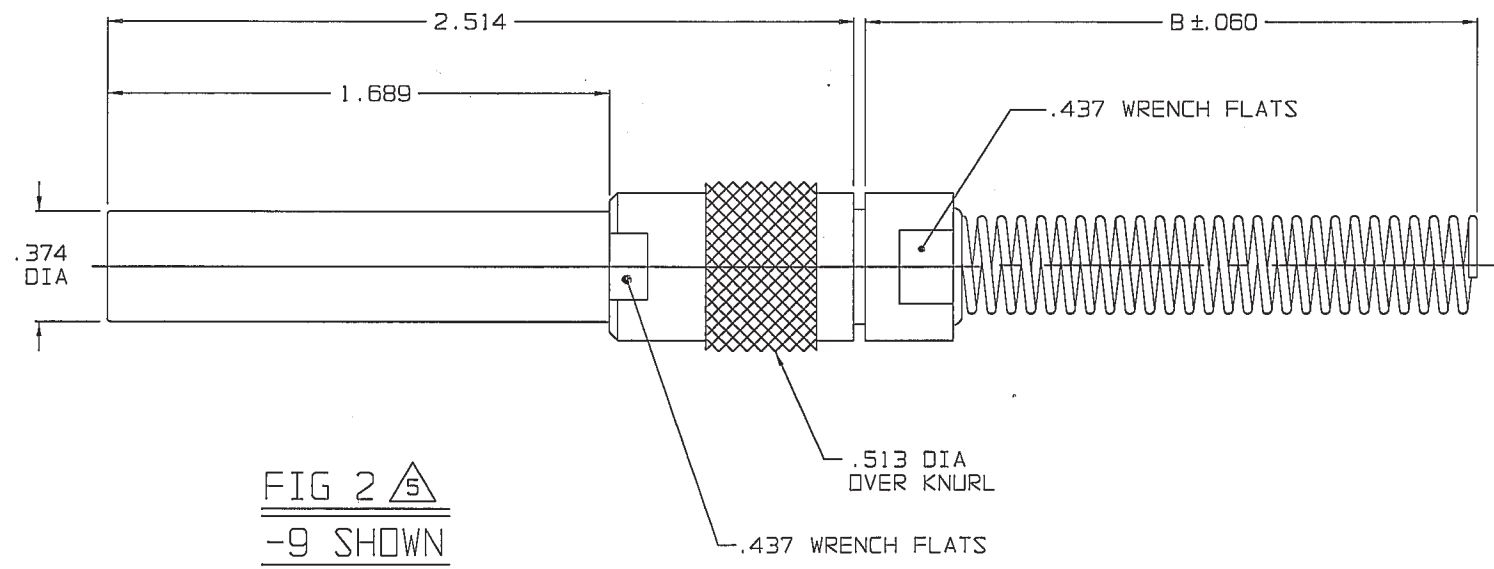


FIG 2 5
-9 SHOWN

5 IF BEND RELIEF SPRING IS REQUIRED (FIG 2) ADD SUFFIX "BR" TO MODEL NO.

4. CONCENTRIC TWINAXIAL/TRIAXIAL PATCH PLUG

3 CLAMP NUT OMITTED ON -A7 ONLY

2. FINISH: TFS-1A (NICKEL)

1. ALL DIMENSIONS SHALL BE IN INCHES

INTERPRET DRAWING PER MIL-STD-100 DIMENSIONS ARE IN INCHES AND INCLUDE FINISH THICKNESS UNLESS OTHERWISE SPECIFIED		TOL: UNLESS SPECIFIED .XX .XXX ± .005 .XXXX ANGLES		 a cinch connectivity solutions brand	
DRAWN: WAH	DATE: 8-6-01	MATERIAL:	FINISH:		
CHECKED: <i>[Signature]</i>	QUALITY: <i>[Signature]</i>	APPROVED: <i>[Signature]</i>	SCALE: 2/1	SIZE: A	CAGE CODE: 14949
DRAWING NO. 310-0072			DATE: 10/11/88	REV. D	SHEET 1C
NEXT ASSY		DO NOT SCALE DWG			