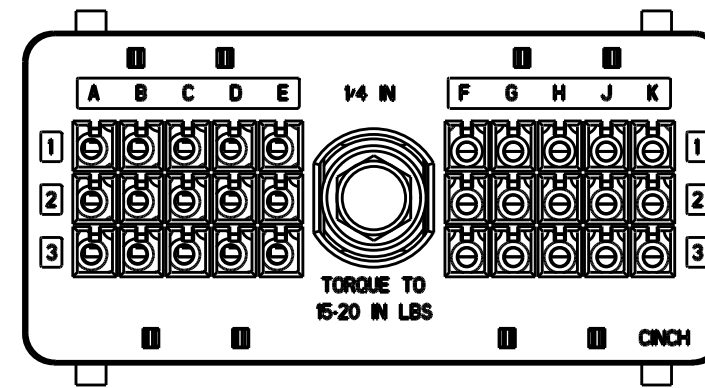
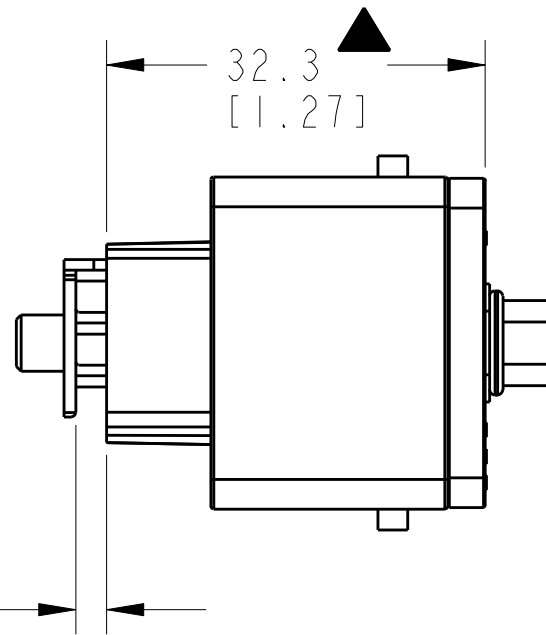
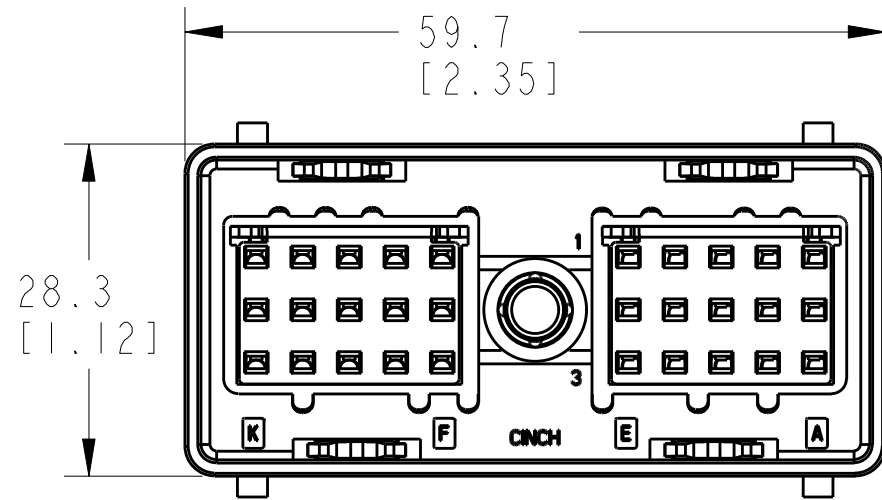


DRAWING REVISIONS (RELEASE DATE ON FILE)			
REV	DOCUMENT	APP	APPROVAL DATE
E	PER C.O.# 851	V.R.	02/09/10

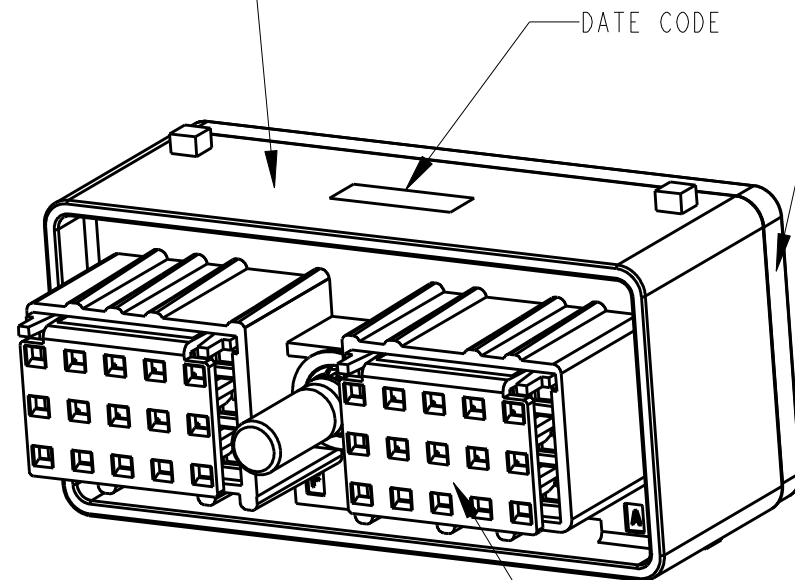


REAR VIEW

2.6 REF
[.10]
SECONDARY LOCK SHIPPED
IN PRE-STAGED POSITION

INSULATOR COLOR: GREY
(POLYAMIDE BASED
ALLOY GLASS-FILLED)

BACK PLATE
COLOR: GREY
(GLASS-FILLED POLYESTER)



JACKSCREW, STEEL
10-24 UNC THREAD
(YELLOW TRIVALENT CHROMATE)

SECONDARY LOCK
COLOR: WHITE
(GLASS-FILLED POLYESTER)

NOTES:

- ALL DIMENSIONS ARE IN MILLIMETERS, DIMENSIONS IN [] ARE IN INCHES.
- FOR WIRE SIZE APPLICATION, CONSULT FACTORY.
- FEMALE TERMINAL ORDERED SEPARATELY: 425 00 00 873/872.
- MATES WITH CINCH HEADER CONNECTOR (CONSULT FACTORY).
- SEAL PLUG ORDERED SEPARATELY: 581 00 00 011.
- TOLERANCES UNLESS OTHERWISE SPECIFIED:
.X ±0.5
.XX ±0.25
- SEALING RANGE FOR WIRE INSULATION DIA.;
MAX 2.64MM (.104"), MIN 1.96MM (.077").
- A TRIANGLE ▲ INDICATES CRITICAL FUNCTION DIMENSION.
- IF TIE-WRAP DRESSING CONDUCTORS, CINCH RECOMMENDS A SPACING OF NO LESS THAN 2 INCHES BEHIND THE BACK PLATE.

UNITS METRIC	DESIGN ENGINEER A. CAINES	DATE 5/03/01	MODELED BY: J. DRYE
DO NOT SCALE DRAWING	PRO/E		1700 FINLEY RD LOMBARD, IL. 60148
UNLESS OTHERWISE SPECIFIED: ALL DIMENSIONS ARE IN mm	TITLE CONNECTOR ASSEMBLY SOCKET 30 POSITION		CONTROL SPEC NUMBER POLAR A
CONFIDENTIAL THIS DOCUMENT IS THE PROPERTY OF CINCH. NEITHER THIS DOCUMENT NOR ANY OF THE INFORMATION CONTAINED IN IT MAY BE DUPLICATED OR DISCLOSED WITHOUT PRIOR WRITTEN CONSENT OF CINCH. ©COPYRIGHT 2009 CINCH	MATERIAL SEE VIEW		PROJECT NUMBER A14243
	APPROVALS ON FILE		CAD FILE NUMBER 5810130027S
	CAGE IDENT NO. 71785	SCALE B	DRAWING NUMBER 5810130027S
		SCALE 1.000	SHEET 1 OF 1