



PRODUCT NUMBER
20020201-XXXXXXLF

20020201 - □ □ □ □ A 0 □ L F

PITCH

C: 3.50 mm
D: 3.81 mm
G: 5.00 mm
H: 5.08 mm

POLES

02: 2 POLES
03: 3 POLES
04: 4 POLES
16: 16 POLES

LF : DENOTED RoHS COMPATIBLE

2 : TAPE & REEL PACKAGING

HOUSING CODE

CODE	COLOR	PROCESS
6	BLACK(RAL 9005)	PIP(NOTE 6)

PROPERTY TABLE

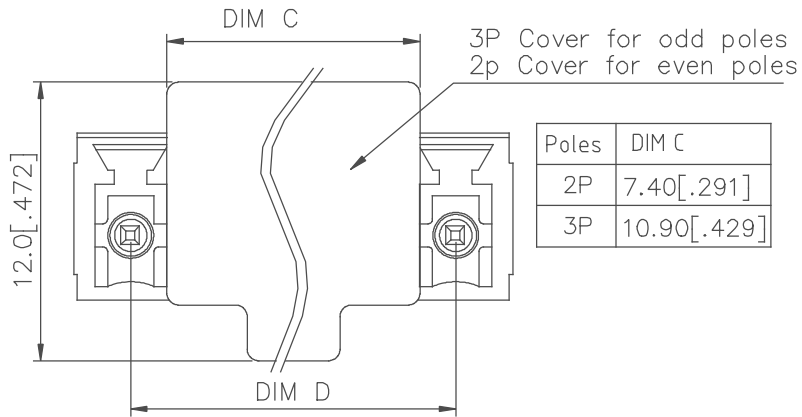
FCI SERIES NAME		06-350	06-381	06-500	06-508
PITCH (mm)		3.50	3.81	5.00	5.08
VOLTAGE RATING (VAC)		300	300	300	300
CURRENT RATING (A)	cULus	10	10	12	12
WITHSTANDING VOLTAGE (kV)	cULus	1.6	1.6	1.6	1.6
OPERATING TEMP. (°C)		-40~+65	-40~+65	-40~+65	-40~+65
SOLDERING TEMP. (°C)		250±10 (5 sec.)	250±10 (5 sec.)	250±10 (5 sec.)	250±10 (5 sec.)
POLES AVAILABLE		02~16	02~16	02~12	02~12
SAFETY CERTIFICATE	PENDING				

NOTES:

- MATERIAL:
 - TERMINAL: COPPER ALLOY, TIN PLATED.
 - HOUSING: THERMOPLASTIC RESIN, UL94V-0 RATED.
 - COVER: THERMOPLASTIC RESIN, UL94V-0 RATED.
- PRODUCTION SPECIFICATION REFER TO FCI GS-12-625.
- PRODUCT PACKING SPECIFICATION REFER TO FCI GS-14-1394.
- FCI, SAFETY CERTIFICATE LOGO AND SERIES NAME TO BE SHOWN ON PRODUCT SURFACE.
- THE PRODUCTS WHERE THE PART NUMBER END IN "LF" MEET THE EUROPEAN UNION DIRECTIVE AND OTHER COUNTRY REGULATIONS AS DESCRIBED IN GS-22-008.
- THE HOUSING WILL WITHSTAND EXPOSURE TO 260°C PEAK TEMPERATURE FOR 5 SECONDS IN A CONVECTION, INFRA-RED OR VAPOR PHASE REFLOW OVEN.

mat'l. code		surface ASME Y14.5	tolerance ASME Y14.5	projection 	product family TERMINAL BLOCK
ltr	ecn no	dr	date	title	
A		LS	071912	TERMINAL BLOCK PLUGGABLE SOCKET, STRAIGHT(PIP)	
angles		X.±0.5		MM [INCH]	dwg no 20020201
X'±1'		X.X±0.3		scale	sheet 1 of 5 size A4
X.XX±0.1		dr	LEIF SHEN 040811	FCI	
		enr	LEIF SHEN 040811	type CUSTOMER Drawing	
		chr	LEIF SHEN 040811		
		appd	JOSEPH HSIA 040811		
sheet index	revision sheet	A	A	A	A
		1	2	3	4

PRODUCT NUMBER	SERIES NAME	PITCH
20020201-CXXXXXXLF	06-350	3.50 mm

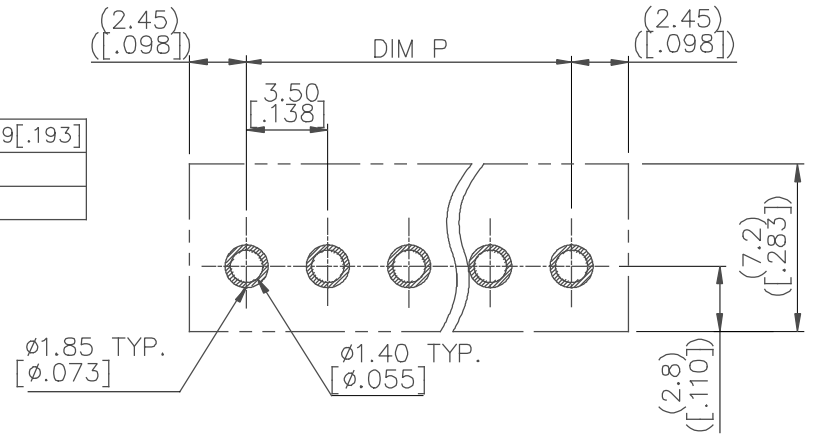


Poles	DIM C
2P	7.40 [.291]
3P	10.90 [.429]

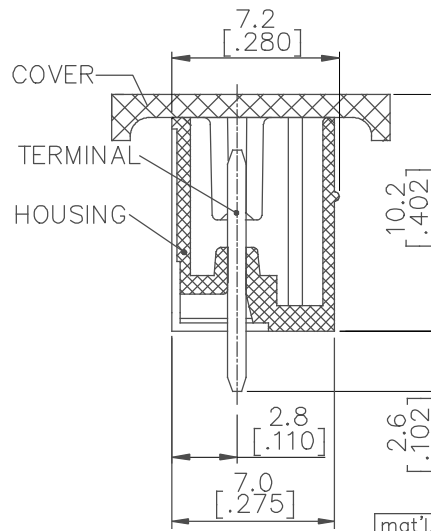
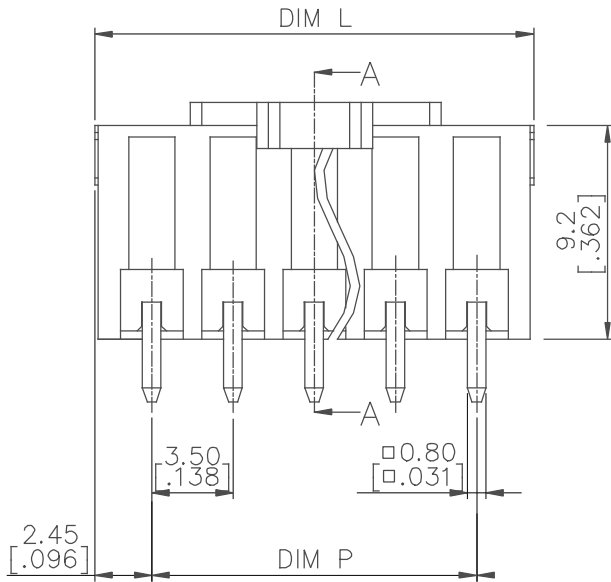
N= Number of poles

DIM L	$(N-1)*3.5[.138]+4.9[.193]$
DIM P	$(N-1)*3.5[.138]$
DIM D	$(N-1)*3.5[.138]$

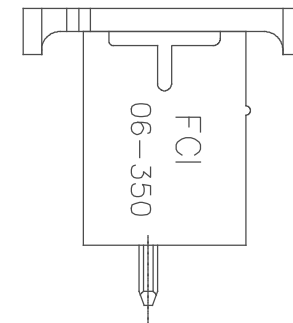
POLES	TOLERANCE
2p-6p	$\pm 0.15[.006]$
7p-12p	$\pm 0.20[.008]$
13p-16p	$\pm 0.30[.012]$



RECOMMENDED PCB LAYOUT

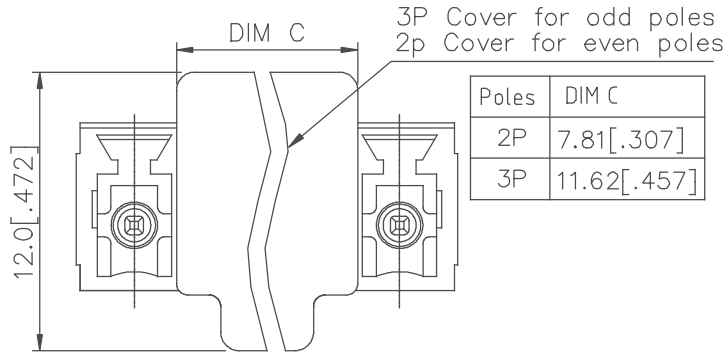


SECTION A-A



mat'l. code	surface ASME Y14.5 ✓	tolerance ASME Y14.5	projection	product family
ltr	ecn no	dr	date	TERMINAL BLOCK
A				title
				TERMINAL BLOCK
				PLUGGABLE SOCKET, STRAIGHT(PIP)
				dwg no
				sheet 2 of 5 size
				20020201 A4
				type
				CUSTOMER Drawing
sheet index	revision sheet			

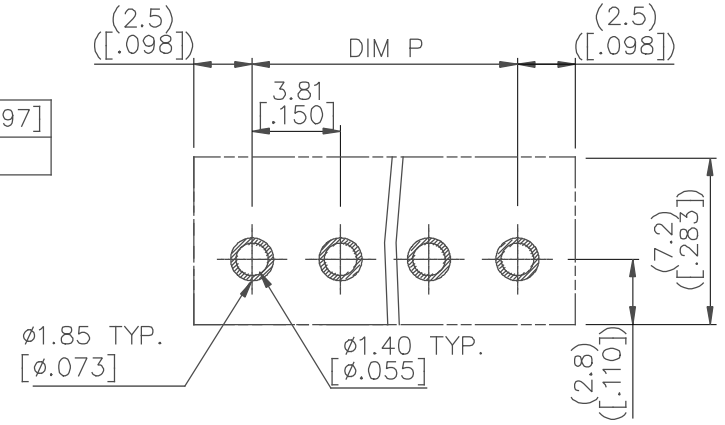
PRODUCT NUMBER	SERIES NAME	PITCH
20020201-DXXXXXXLF	06-381	3.81 mm



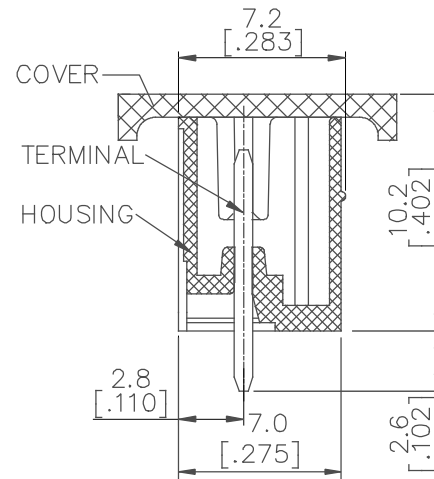
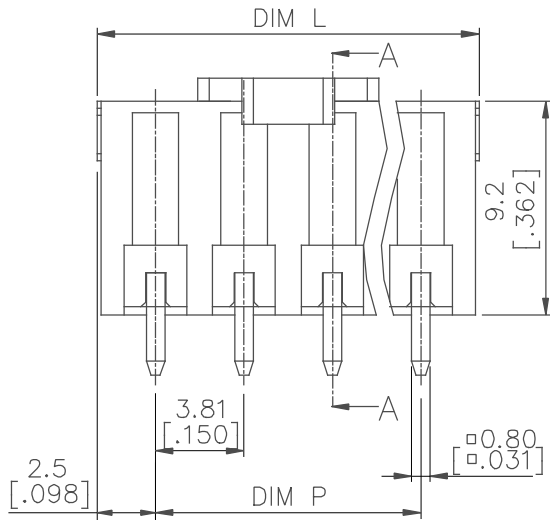
N= Number of poles

DIM L	$(N-1)*3.81[.150]+5.0[.197]$
DIM P	$(N-1)*3.81[.150]$

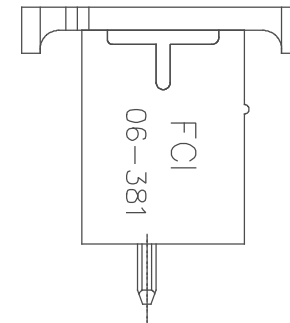
POLES	TOLERANCE
2p-6p	$\pm 0.15[.006]$
7p-12p	$\pm 0.20[.008]$
13p-16p	$\pm 0.30[.012]$



RECOMMENDED PCB LAYOUT

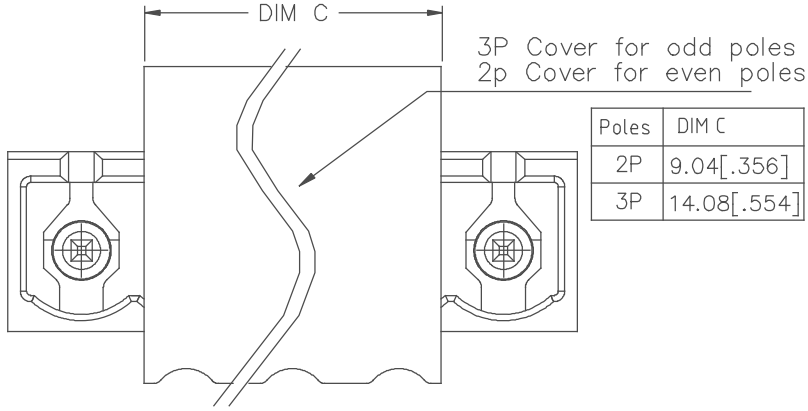


SECTION A-A



mat'l. code	surface ASME Y14.5	tolerance ASME Y14.5	projection MM INCH	product family TERMINAL BLOCK
ltr	ecn no	dr	date	title
A				TERMINAL BLOCK PLUGGABLE SOCKET, STRAIGHT(PIP)
				sheet 3 of 5 size
				20020201 A4
				type CUSTOMER Drawing
sheet index	revision sheet			

PRODUCT NUMBER	SERIES NAME	PITCH
20020201-GXXXXXXLF	06-500	5.00 mm

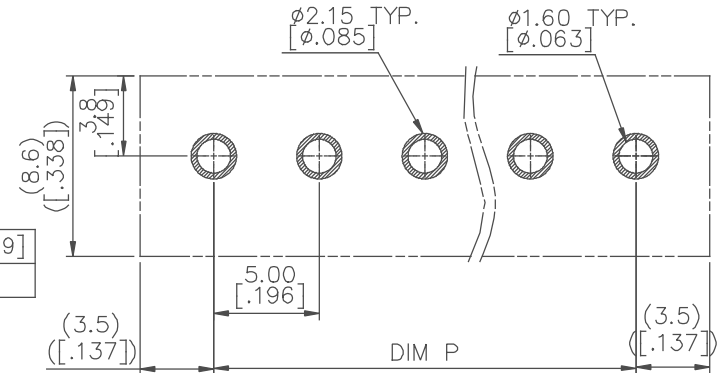


Poles	DIM C
2P	9.04 [.356]
3P	14.08 [.554]

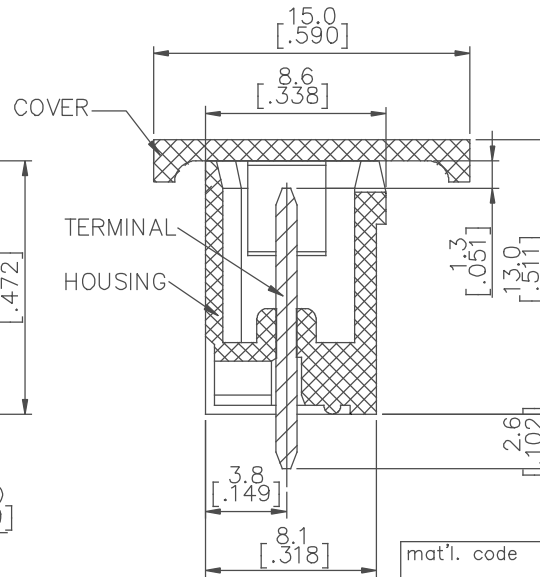
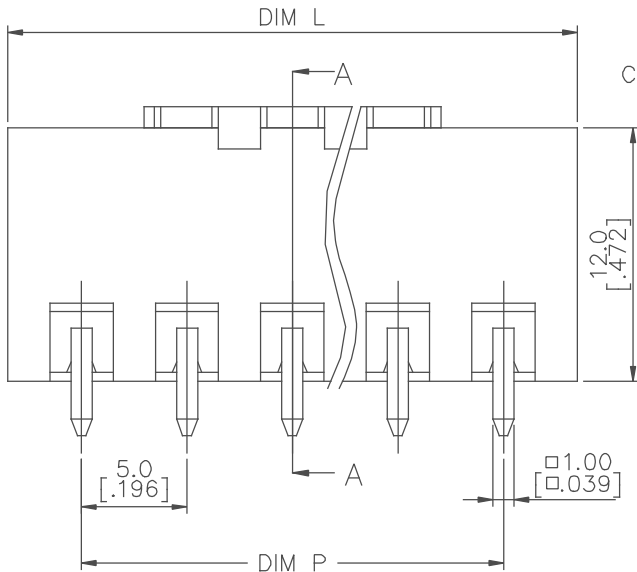
N= Number of poles

DIM L	$N * 5.0 [.197] + 2.0 [.079]$
DIM P	$(N - 1) * 5.0 [.197]$

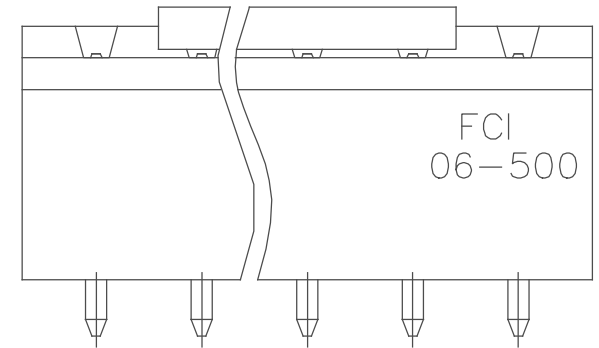
POLES	TOLERANCE
2-3p	$\pm 0.15 [.006]$
4-8p	$\pm 0.20 [.008]$
9-12p	$\pm 0.25 [.010]$



RECOMMENDED PCB LAYOUT

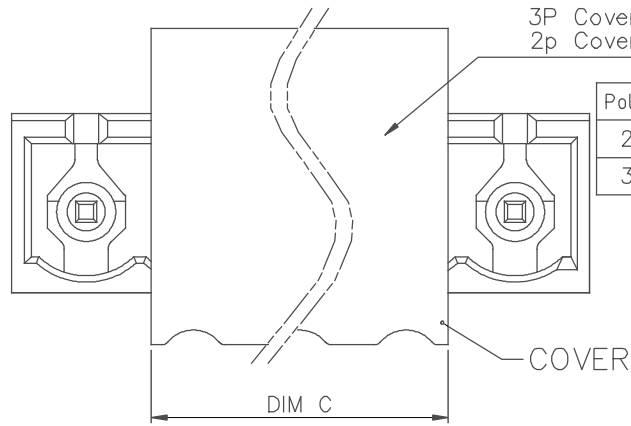


SECTION A-A



mat'l. code	surface ASME Y14.5 ✓	tolerance ASME Y14.5	projection 	product family TERMINAL BLOCK
ltr	ecn no	dr	date	title TERMINAL BLOCK PLUGGABLE SOCKET, STRAIGHT(PIP)
A				sheet 4 of 5 size
				20020201 A4
				type CUSTOMER Drawing
sheet index	revision sheet			

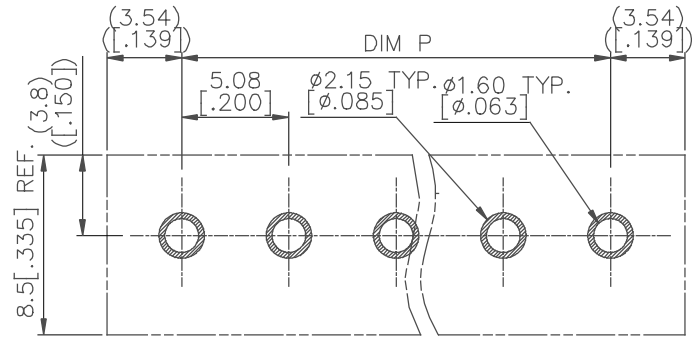
PRODUCT NUMBER	SERIES NAME	PITCH
20020201-HXXXXXXLF	06-508	5.08 mm



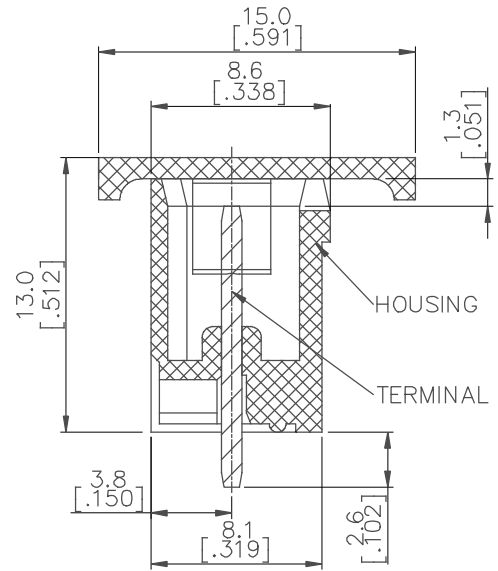
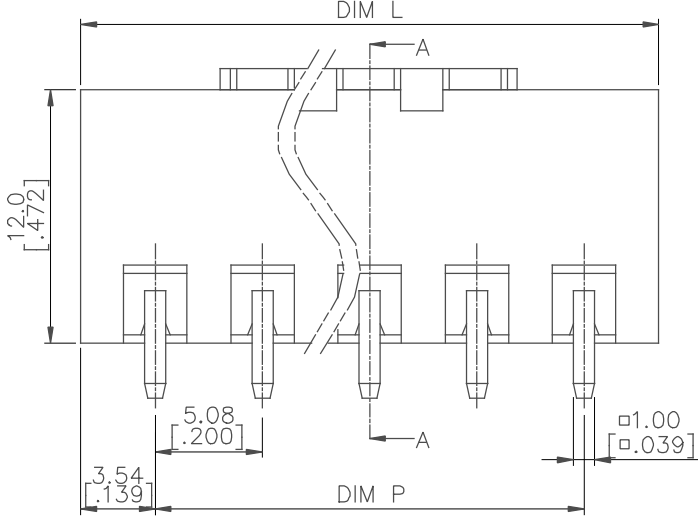
N= Number of poles

Poles	DIM C	DIM L	DIM P
2P	9.04[.356]	$N*5.08[.200]+2.0[.079]$	$(N-1)*5.08[.200]$
3P	14.08[.554]		

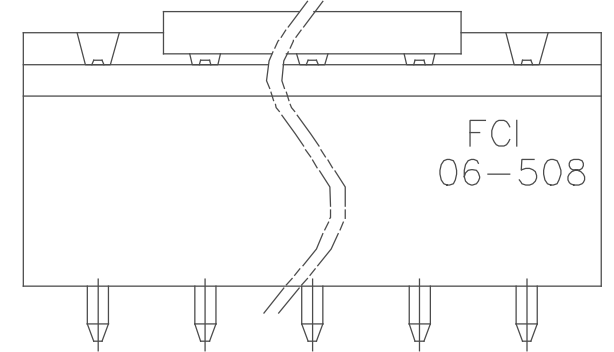
POLES	TOLERANCE
2-3p	$\pm 0.15[.006]$
4-8p	$\pm 0.20[.008]$
9-12p	$\pm 0.25[.010]$



RECOMMENDED PCB LAYOUT



SECTION A-A



mat'l. code	surface ASME Y14.5	tolerance ASME Y14.5	projection	product family
ltr	ecn no	dr	date	TERMINAL BLOCK
A				title
				TERMINAL BLOCK
				PLUGGABLE SOCKET, STRAIGHT(PIP)
				dwg no 20020201
				sheet 5 of 5 size A4
				type CUSTOMER Drawing
sheet index	revision sheet			