

4-Bit Bi-directional Level Shifter with Automatic Direction Controller

Features

- 1.2V to 3.6V on A Port and 1.65V to 5.5V on B Port ($V_{CCA} \leq V_{CCB}$)
- V_{CC} Isolation Feature – If Either V_{CC} Input Is at GND, All Outputs Are in the High-Impedance State
- OE Input Circuit Referenced to V_{CCA}
- Low Power Consumption, 5- μ A Max I_{CC}
- I_{off} Supports Partial-Power-Down Mode Operation
- Latch-Up Performance Exceeds 100mA Per JESD 78, Class II
- ESD Protection Exceeds JESD 22

A Port

- ◆2500-V Human-Body Model (A114-F)
- ◆200-V Machine Model (A115-A)
- ◆1500-V Charged-Device Model (C101D)

B Port

- ◆15-kV Human-Body Model (A114-F)
- ◆200-V Machine Model (A115-A)
- ◆1500-V Charged-Device Model (C101D)

Description

This 4-bit non-inverting translator uses two separate configurable power-supply rails. The A port is designed to track V_{CCA} . V_{CCA} accepts any supply voltage from 1.2V to 3.6V. The B port is designed to track V_{CCB} . V_{CCB} accepts any supply voltage from 1.65V to 5.5V. This allows for universal low-voltage bidirectional translation between any of the 1.2V, 1.5V, 1.8V, 2.5V, 3.3V, and 5V voltage nodes. V_{CCA} should not exceed V_{CCB} .

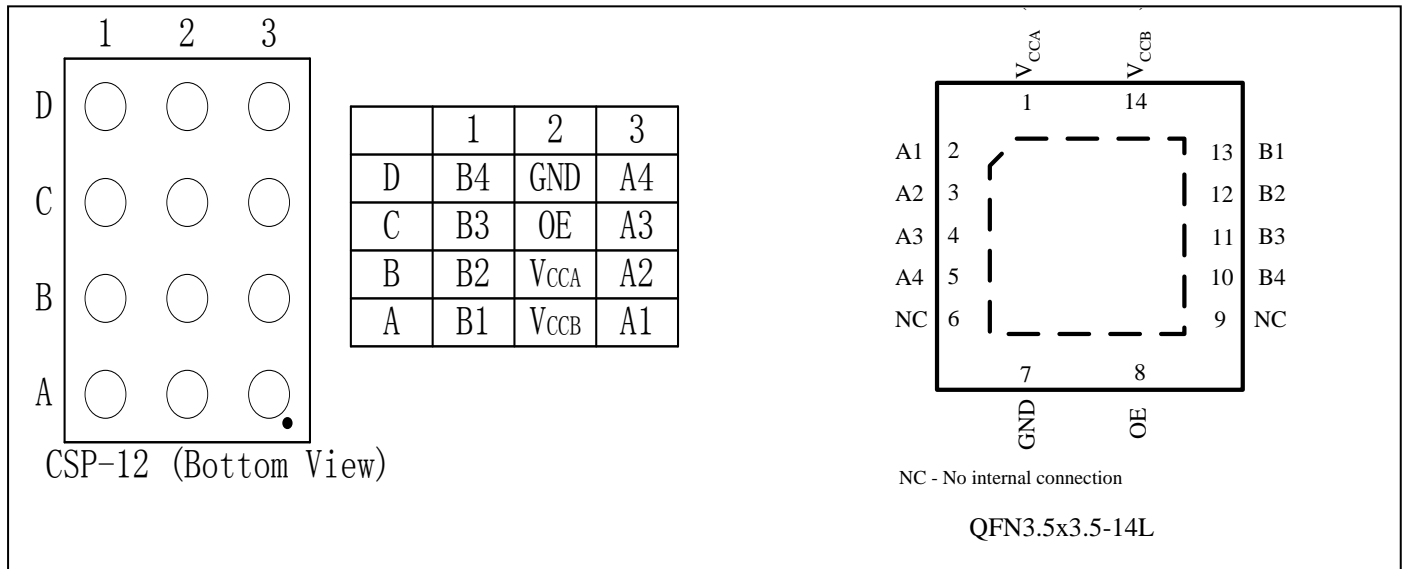
When the output-enable (OE) input is low, all outputs are placed in the high-impedance state.

The PI4ULS5V104 is designed so that the OE input circuit is supplied by V_{CCA} .

This device is fully specified for partial-power-down applications using I_{off} . The I_{off} circuitry disables the outputs, preventing damaging current backflow through the device when it is powered down.

To ensure the high-impedance state during power up or power down, OE should be tied to GND through a pull-down resistor; the minimum value of the resistor is determined by the current-sourcing capability of the driver.

Pin Configuration



Pin Description

| Pin Name | Description |
|------------------|--|
| V _{CCA} | A-port supply voltage $1.2\text{ V} \leq V_{CCA} \leq 3.6\text{ V}$ and $V_{CCA} \leq V_{CCB}$. |
| A1 | Input/output 1. Referenced to V _{CCA} . |
| A2 | Input/output 2. Referenced to V _{CCA} . |
| A3 | Input/output 3. Referenced to V _{CCA} . |
| A4 | Input/output 4. Referenced to V _{CCA} . |
| GND | Ground |
| OE | 3-State output. Pull OE low to place all outputs in 3-state mode. Referenced to V _{CCA} . |
| B4 | Input/output 4. Referenced to V _{CCB} . |
| B3 | Input/output 3. Referenced to V _{CCB} . |
| B2 | Input/output 2. Referenced to V _{CCB} . |
| B1 | Input/output 1. Referenced to V _{CCB} . |
| V _{CCB} | B-port supply voltage $1.65\text{ V} \leq V_{CCB} \leq 5.5\text{ V}$. |

Maximum Ratings*¹

| | | | Min. | Max. | Unit |
|------------------|--|--------|------|------------------------|------|
| V _{CCA} | Supply voltage range | | -0.5 | 4.6 | V |
| V _{CCB} | | | -0.5 | 6.5 | |
| V _I | Input voltage range | A port | -0.5 | 4.6 | V |
| | | B port | -0.5 | 6.5 | |
| V _O | Voltage range applied to any output in the high-impedance or power-off state | A port | -0.5 | 4.6 | V |
| | | B port | -0.5 | 6.5 | |
| V _O | Voltage range applied to any output in the high or low state* ² | A port | -0.5 | V _{CCA} + 0.5 | V |
| | | B port | -0.5 | V _{CCB} + 0.5 | |
| I _{IK} | Input clamp current, V _I < 0 | | - | -50 | mA |
| I _{OK} | Output clamp current, V _O < 0 | | - | -50 | mA |
| I _O | Continuous output current | | - | ±50 | mA |
| I _O | Continuous current through V _{CCA} , V _{CCB} , or GND | | - | ±100 | mA |
| T _{stg} | Storage temperature range | | -65 | 150 | °C |

*1 Stresses greater than those listed under MAXIMUM RATINGS may cause permanent damage to the device. This is a stress rating only and functional operation of the device at these or any other conditions above those indicated in the operational sections of this specification is not implied. Exposure to absolute maximum rating conditions for extended periods may affect reliability.

*2 The value of V_{CCA} and V_{CCB} are provided in the recommended operating conditions table.

Recommend Operation Conditions ⁽¹⁾⁽²⁾

| Parameter | Description | V_{CCA} | V_{CCB} | Min. | Max. | Unit | |
|---------------------|--|---------------|--------------|---------------|------------------------------------|------------------------------------|------|
| V_{CCA} | Supply voltage | - | - | 1.2 | 3.6 | V | |
| V_{CCB} | | - | - | 1.65 | 5.5 | | |
| V_{IH} | High-level input voltage | Data inputs | 1.2V to 3.6V | 1.65V to 5.5V | V_{CCI}^* 0.65 ⁽³⁾ | V_{CCI} | V |
| | | OE input | 1.2V to 3.6V | 1.65V to 5.5V | V_{CCA}^* 0.7 | 5.5 | |
| V_{IL} | Low-level input voltage | Data inputs | 1.2V to 3.6V | 1.65V to 5.5V | 0 | V_{CCI}^* 0.35 ⁽³⁾ | V |
| | | OE input | 1.2V to 3.6V | 1.65V to 5.5V | 0 | V_{CCA}^* 0.3 | |
| V_O | Voltage range applied to any output in the high-impedance or power-off state | A port | 1.2V to 3.6V | 1.65V to 5.5V | 0 | 3.6 | V |
| | | B port | 3.6V | 5.5V | 0 | 5.5 | |
| $\Delta t/\Delta v$ | Input transition rise or fall rate | A port inputs | 1.2V to 3.6V | 1.65V to 5.5V | - | 40 | ns/V |
| | | B port inputs | 1.2V to 3.6V | 1.65V to 3.6V | - | 40 | |
| | | | | 4.5V to 5.5V | - | 30 | |
| T_A | Operating free-air temperature | - | - | -40 | 85 | °C | |

- (1) The A and B sides of an unused data I/O pair must be held in the same state, i.e., both at V_{CCI} or both at GND.
(2) V_{CCA} must be less than or equal to V_{CCB} and must not exceed 3.6 V.
(3) V_{CCI} is the supply voltage associated with the input port.

DC Electrical Characteristics ⁽¹⁾⁽²⁾

| Parameter | Test Conditions | V _{CCA} | V _{CCB} | T _A = 25°C | | | -40 to 85°C | | Unit | |
|-------------------------------------|--|--|------------------|-----------------------|------|-----|------------------------|-----|------|----|
| | | | | Min | Typ | Max | Min | Max | | |
| V _{OHA} | I _{OH} = -20μA | 1.2V | - | 1.0 | 1.1 | 1.2 | - | - | V | |
| | | 1.4V to 3.6V | | - | - | - | V _{CCA} - 0.4 | - | | |
| V _{OLA} | I _{OL} = 20μA | 1.2V | - | 0.0 | 0.09 | 0.4 | - | - | V | |
| | | 1.4V to 3.6V | | - | - | - | - | 0.4 | | |
| V _{OHB} | I _{OH} = -20μA | - | 1.65V to 5.5V | - | - | - | V _{CCB} - 0.4 | - | V | |
| V _{OLB} | I _{OL} = 20μA | - | 1.65V to 5.5V | - | - | - | - | 0.4 | V | |
| I _I | OE | V _I = V _{CC1} or GND | 1.2 to 3.6V | 1.65V to 5.5V | - | - | ±1 | - | ±2 | μA |
| I _{off} | A port | V _I or V _O = 0 to 3.6V | 0V | 0V to 5.5V | - | - | ±1 | - | ±2 | μA |
| | B port | V _I or V _O = 0 to 5.5V | 0 to 3.6V | 0V | - | - | ±1 | - | ±2 | |
| I _{OZ} | A or B port | OE = GND | 1.2 to 3.6V | 1.65V to 5.5V | - | - | ±1 | - | ±2 | μA |
| I _{CCA} | V _I = V _{CC1} or GND, I _o = 0 | 1.2V | 1.65V to 5.5V | 0.0 | 0.06 | 5.0 | - | - | μA | |
| | | 1.4V to 3.6V | 1.65V to 5.5V | - | - | - | - | 5 | | |
| | | 3.6V | 0V | - | - | - | - | 2 | | |
| | | 0V | 5.5V | - | - | - | - | -2 | | |
| I _{CCB} | V _I = V _{CC1} or GND, I _o = 0 | 1.2V | 1.65V to 5.5V | 0 | 2.3 | 5 | - | - | μA | |
| | | 1.4V to 3.6V | 1.65V to 5.5V | - | - | - | - | 5 | | |
| | | 3.6V | 0V | - | - | - | - | -2 | | |
| | | 0V | 5.5V | - | - | - | - | 2 | | |
| I _{CCA} + I _{CCB} | V _I = V _{CC1} or GND, I _o = 0 | 1.2V | 1.65V to 5.5V | 0.0 | 2.4 | 10 | - | - | μA | |
| | | 1.4V to 3.6V | 1.65V to 5.5V | - | - | - | - | 8 | | |
| I _{CCZA} | V _I = V _{CC1} or GND, I _o = 0, OE = GND | 1.2V | 1.65V to 5.5V | 0.0 | 0.05 | 0.4 | - | - | μA | |
| | | 1.4V to 3.6V | 1.65V to 5.5V | - | - | - | - | 5 | | |
| I _{CCZB} | V _I = V _{CC1} or GND, I _o = 0, OE = GND | 1.2V | 1.65V to 5.5V | 0.0 | 2.3 | 5.0 | - | - | μA | |
| | | 1.4V to 3.6V | 1.65V to 5.5V | - | - | - | - | 5 | | |
| C _i | OE | - | 1.2 to 3.6V | 1.65V to 5.5V | - | 3 | - | - | 4 | pF |
| C _{io} | A port | - | 1.2 to 3.6V | 1.65V to 5.5V | - | 5 | - | - | 6 | pF |
| | B port | - | | | - | 11 | - | - | 14 | |

 (1) V_{CC1} is the supply voltage associated with the input port.

 (2) V_{CC0} is the supply voltage associated with the output port.

AC Electrical Characteristics

Timing requirements

 a. $T_A = 25^\circ\text{C}$, $V_{CCA} = 1.2\text{V}$

| | | | $V_{CCB} = 1.8\text{V}$ | $V_{CCB} = 2.5\text{V}$ | $V_{CCB} = 3.3\text{V}$ | $V_{CCB} = 5\text{V}$ | Unit |
|-----------|----------------|-------------|-------------------------|-------------------------|-------------------------|-----------------------|------|
| | | | TYP | TYP | TYP | TYP | |
| Data rate | | | 20 | 20 | 20 | 20 | Mbps |
| t_w | Pulse duration | Data inputs | 50 | 50 | 50 | 50 | ns |

 b. $T_A = 25^\circ\text{C}$, $V_{CCA} = 1.5 \pm 0.1\text{V}$

| | | | $V_{CCB} = 1.8 \pm 0.15\text{V}$ | | $V_{CCB} = 2.5 \pm 0.2\text{V}$ | | $V_{CCB} = 3.3 \pm 0.3\text{V}$ | | $V_{CCB} = 5 \pm 0.5\text{V}$ | | Unit |
|-----------|----------------|-------------|----------------------------------|-----|---------------------------------|-----|---------------------------------|-----|-------------------------------|-----|------|
| | | | MIN | MAX | MIN | MAX | MIN | MAX | MIN | MAX | |
| Data rate | | | - | 40 | - | 40 | - | 40 | - | 40 | Mbps |
| t_w | Pulse duration | Data inputs | 25 | - | 25 | - | 25 | - | 25 | - | ns |

 c. $T_A = 25^\circ\text{C}$, $V_{CCA} = 1.8 \pm 0.15\text{V}$

| | | | $V_{CCB} = 1.8 \pm 0.15\text{V}$ | | $V_{CCB} = 2.5 \pm 0.2\text{V}$ | | $V_{CCB} = 3.3 \pm 0.3\text{V}$ | | $V_{CCB} = 5 \pm 0.5\text{V}$ | | Unit |
|-----------|----------------|-------------|----------------------------------|-----|---------------------------------|-----|---------------------------------|-----|-------------------------------|-----|------|
| | | | MIN | MAX | MIN | MAX | MIN | MAX | MIN | MAX | |
| Data rate | | | - | 60 | - | 60 | - | 60 | - | 60 | Mbps |
| t_w | Pulse duration | Data inputs | 17 | - | 17 | - | 17 | - | 17 | - | ns |

 d. $T_A = 25^\circ\text{C}$, $V_{CCA} = 2.5 \pm 0.2\text{V}$

| | | | $V_{CCB} = 2.5 \pm 0.2\text{V}$ | | $V_{CCB} = 3.3 \pm 0.3\text{V}$ | | $V_{CCB} = 5 \pm 0.5\text{V}$ | | Unit |
|-----------|----------------|-------------|---------------------------------|-----|---------------------------------|-----|-------------------------------|-----|------|
| | | | MIN | MAX | MIN | MAX | MIN | MAX | |
| Data rate | | | - | 100 | - | 100 | - | 100 | Mbps |
| t_w | Pulse duration | Data inputs | 10 | - | 10 | - | 10 | - | ns |

 e. $T_A = 25^\circ\text{C}$, $V_{CCA} = 3.3 \pm 0.3\text{V}$

| | | | $V_{CCB} = 3.3 \pm 0.3\text{V}$ | | $V_{CCB} = 5 \pm 0.5\text{V}$ | | Unit |
|-----------|----|---|---------------------------------|-----|-------------------------------|-----|------|
| | | | MIN | MAX | MIN | MAX | |
| Data rate | | | - | 100 | - | 100 | Mbps |
| t_w | 10 | - | 10 | - | 10 | - | ns |

Switching characteristics

 a. $T_A = 25^\circ\text{C}$, $V_{CCA} = 1.2\text{V}$

| Parameter | From (INPUT) | To (OUTPUT) | $V_{CCB} = 1.8\text{V}$ | $V_{CCB} = 2.5\text{V}$ | $V_{CCB} = 3.3\text{V}$ | $V_{CCB} = 5\text{V}$ | Unit |
|------------------|----------------------------|-------------|-------------------------|-------------------------|-------------------------|-----------------------|---------------|
| | | | TYP | TYP | TYP | TYP | |
| t_{pd} | A | B | 6.9 | 5.7 | 5.3 | 5.5 | ns |
| | B | A | 7.4 | 6.4 | 6 | 5.8 | |
| t_{en} | OE | A | 0.2 | 0.2 | 0.2 | 0.2 | μs |
| | | B | 0.2 | 0.2 | 0.2 | 0.2 | |
| t_{dis} | OE | A | 0.4 | 0.4 | 0.4 | 0.4 | μs |
| | | B | 0.2 | 0.2 | 0.2 | 0.2 | |
| t_{rA}, t_{fA} | A-port rise and fall times | | 4.2 | 4.2 | 4.2 | 4.2 | ns |
| t_{rB}, t_{fB} | B-port rise and fall times | | 2.1 | 1.5 | 1.2 | 1.1 | ns |
| $t_{SK(O)}$ | Channel-to-channel skew | | 0.5 | 0.5 | 0.5 | 1.4 | ns |
| Max data rate | - | | 20 | 20 | 20 | 20 | Mbps |

b. $T_A = 25^\circ\text{C}$, $V_{CCA} = 1.5 \pm 0.1\text{V}$

| Parameter | From (INPUT) | To (OUTPUT) | $V_{CCB} = 1.8 \pm 0.15\text{V}$ | | $V_{CCB} = 2.5 \pm 0.2\text{V}$ | | $V_{CCB} = 3.3 \pm 0.3\text{V}$ | | $V_{CCB} = 5 \pm 0.5\text{V}$ | | Unit |
|------------------|----------------------------|-------------|----------------------------------|------|---------------------------------|------|---------------------------------|------|-------------------------------|------|---------------|
| | | | MIN | MAX | MIN | MAX | MIN | MAX | MIN | MAX | |
| t_{pd} | A | B | 1.4 | 12.9 | 1.2 | 10.1 | 1.1 | 10 | 0.8 | 9.9 | ns |
| | B | A | 0.9 | 14.2 | 0.7 | 12 | 0.4 | 11.7 | 0.3 | 13.7 | |
| t_{en} | OE | A | - | 0.5 | - | 0.5 | - | 0.5 | - | 0.5 | μs |
| | | B | - | 0.5 | - | 0.5 | - | 0.5 | - | 0.5 | |
| t_{dis} | OE | A | - | 0.5 | - | 0.5 | - | 0.5 | - | 0.5 | μs |
| | | B | - | 0.5 | - | 0.5 | - | 0.5 | - | 0.5 | |
| t_{rA}, t_{fA} | A-port rise and fall times | | 1.4 | 5.1 | 1.4 | 5.1 | 1.4 | 5.1 | 1.4 | 5.1 | ns |
| t_{rB}, t_{fB} | B-port rise and fall times | | 0.9 | 4.5 | 0.6 | 3.2 | 0.5 | 2.8 | 0.4 | 2.7 | ns |
| $t_{SK(O)}$ | Channel-to-channel skew | | - | 0.5 | - | 0.5 | - | 0.5 | - | 0.5 | ns |
| Max data rate | | | 40 | - | 40 | - | 40 | - | 40 | - | Mbps |

 c. $T_A = 25^\circ\text{C}$, $V_{CCA} = 1.8 \pm 0.15\text{V}$

| Parameter | From (INPUT) | To (OUTPUT) | $V_{CCB} = 1.8 \pm 0.15\text{V}$ | | $V_{CCB} = 2.5 \pm 0.2\text{V}$ | | $V_{CCB} = 3.3 \pm 0.3\text{V}$ | | $V_{CCB} = 5 \pm 0.5\text{V}$ | | Unit |
|------------------|----------------------------|-------------|----------------------------------|-----|---------------------------------|------|---------------------------------|------|-------------------------------|------|---------------|
| | | | MIN | MAX | MIN | MAX | MIN | MAX | MIN | MAX | |
| t_{pd} | A | B | 1.6 | 11 | 1.4 | 7.7 | 1.3 | 6.8 | 1.2 | 6.5 | ns |
| | B | A | 1.5 | 12 | 1.3 | 8.4 | 1 | 7.6 | 0.9 | 7.1 | |
| t_{en} | OE | A | - | 0.3 | - | 0.25 | - | 0.25 | - | 0.25 | μs |
| | | B | - | 0.3 | - | 0.25 | - | 0.25 | - | 0.25 | |
| t_{dis} | OE | A | - | 0.5 | - | 0.5 | - | 0.5 | - | 0.5 | μs |
| | | B | - | 0.5 | - | 0.5 | - | 0.5 | - | 0.5 | |
| t_{rA}, t_{fA} | A-port rise and fall times | | 1 | 4.2 | 1 | 4.1 | 1 | 4.1 | 1 | 4.1 | ns |
| t_{rB}, t_{fB} | B-port rise and fall times | | 0.9 | 4.5 | 0.6 | 3.2 | 0.5 | 2.8 | 0.4 | 2.7 | ns |
| $t_{SK(O)}$ | Channel-to-channel skew | | - | 0.5 | - | 0.5 | - | 0.5 | - | 0.5 | ns |
| Max data rate | | | 60 | - | 60 | - | 60 | - | 60 | - | Mbps |

 d. $T_A = 25^\circ\text{C}$, $V_{CCA} = 2.5 \pm 0.2\text{V}$

| Parameter | From (INPUT) | To (OUTPUT) | $V_{CCB} = 2.5 \pm 0.2\text{V}$ | | $V_{CCB} = 3.3 \pm 0.3\text{V}$ | | $V_{CCB} = 5 \pm 0.5\text{V}$ | | Unit |
|------------------|----------------------------|-------------|---------------------------------|------|---------------------------------|-----|-------------------------------|------|---------------|
| | | | MIN | MAX | MIN | MAX | MIN | MAX | |
| t_{pd} | A | B | 1.1 | 6.3 | 1.0 | 5.2 | 0.9 | 4.7 | ns |
| | B | A | 1.2 | 6.6 | 1.1 | 5.1 | 0.9 | 4.4 | |
| t_{en} | OE | A | - | 0.25 | - | 0.2 | - | 0.2 | μs |
| | | B | - | 0.25 | - | 0.2 | - | 0.2 | |
| t_{dis} | OE | A | - | 0.5 | - | 0.4 | - | 0.35 | μs |
| | | B | - | 0.5 | - | 0.4 | - | 0.35 | |
| t_{rA}, t_{fA} | A-port rise and fall times | | 0.8 | 3.0 | 0.8 | 3.0 | 0.8 | 3.0 | ns |
| t_{rB}, t_{fB} | B-port rise and fall times | | 0.7 | 3.0 | 0.5 | 2.8 | 0.4 | 2.7 | ns |
| $t_{SK(O)}$ | Channel-to-channel skew | | - | 0.5 | - | 0.5 | - | 0.5 | ns |
| Max data rate | | | 100 | - | 100 | - | 100 | - | Mbps |

e. $T_A = 25^\circ\text{C}$, $V_{CCA} = 3.3 \pm 0.3\text{V}$

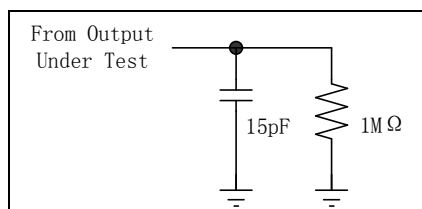
| Parameter | From (INPUT) | To (OUTPUT) | $V_{CCB} = 3.3 \pm 0.3\text{V}$ | | $V_{CCB} = 5 \pm 0.5\text{V}$ | | Unit |
|------------------|----------------------------|-------------|---------------------------------|-----|-------------------------------|-----|---------------|
| | | | MIN | MAX | MIN | MAX | |
| t_{pd} | A | B | 0.9 | 4.7 | 0.8 | 4.0 | ns |
| | B | A | 1.0 | 4.9 | 0.9 | 3.8 | |
| t_{en} | OE | A | - | 0.2 | - | 0.2 | μs |
| | | B | - | 0.2 | - | 0.2 | |
| t_{dis} | OE | A | - | 0.3 | - | 0.3 | μs |
| | | B | - | 0.3 | - | 0.3 | |
| t_{rA}, t_{fA} | A-port rise and fall times | | 0.7 | 2.8 | 0.7 | 2.8 | ns |
| t_{rB}, t_{fB} | B-port rise and fall times | | 0.5 | 2.7 | 0.4 | 2.7 | ns |
| $t_{SK(O)}$ | Channel-to-channel skew | | - | 0.5 | - | 0.5 | ns |
| Max data rate | - | | 100 | - | 100 | - | Mbps |

Operating Characteristics

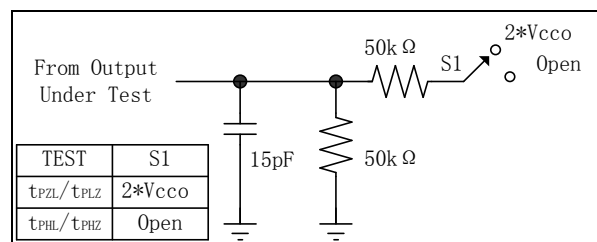
| Parameter | Test Conditions | V_{CCA} | | | | | | | Unit | |
|-----------|------------------------------|---|------|------|------|------|------|--------------|------|----|
| | | 1.2V | 1.2V | 1.5V | 1.8V | 2.5V | 2.5V | 3.3V | | |
| | | V_{CCB} | | | | | | | | |
| | | 5V | 1.8V | 1.8V | 1.8V | 2.5V | 5V | 3.3V to 5.5V | | |
| | | TYP | TYP | TYP | TYP | TYP | TYP | TYP | | |
| C_{pdA} | A-port input, B-port output. | $C_L = 0$, $f = 10\text{ MHz}$, $t_r = t_f = 1\text{ ns}$, $OE = V_{CCA}$ (outputs enabled) | 7.8 | 10 | 9 | 8 | 8 | 8 | 9 | pF |
| | B-port input, A-port output. | | 12 | 11 | 11 | 11 | 11 | 11 | 11 | |
| C_{pdB} | A-port input, B-port output. | | 38.1 | 28 | 28 | 28 | 29 | 30 | 30 | |
| | B-port input, A-port output. | | 25.4 | 18 | 18 | 18 | 18 | 21 | 21 | |
| C_{pdA} | A-port input, B-port output. | $C_L = 0$, $f = 10\text{ MHz}$, $t_r = t_f = 1\text{ ns}$, $OE = \text{GND}$ (outputs disabled) | 0.01 | 0.01 | 0.01 | 0.01 | 0.01 | 0.01 | 0.01 | |
| | B-port input, A-port output. | | 0.01 | 0.01 | 0.01 | 0.01 | 0.01 | 0.01 | 0.01 | |
| C_{pdB} | A-port input, B-port output. | | 0.01 | 0.01 | 0.01 | 0.01 | 0.01 | 0.01 | 0.03 | |
| | B-port input, A-port output. | | 0.01 | 0.01 | 0.01 | 0.01 | 0.01 | 0.02 | 0.04 | |

Test Circuit

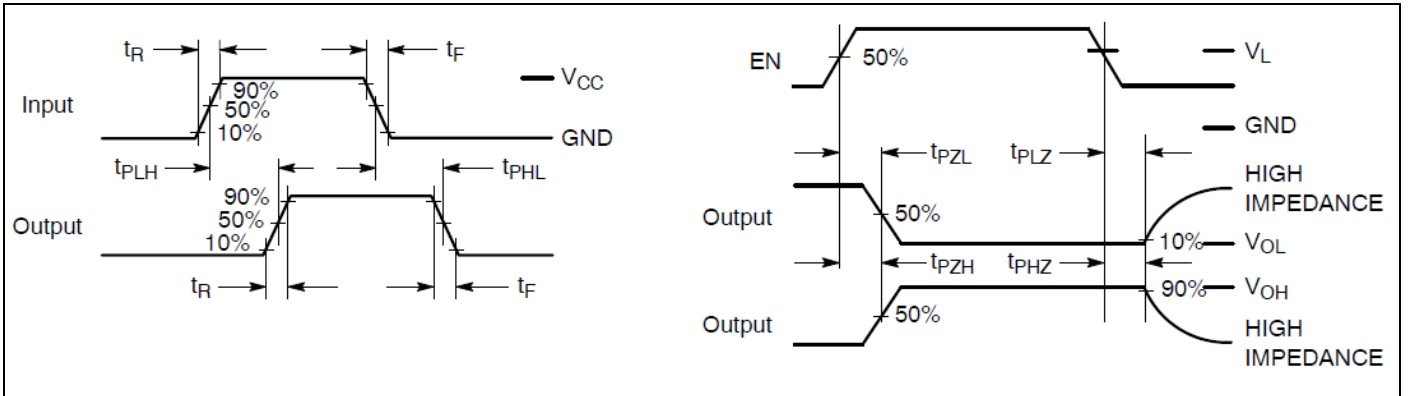
1> Load circuit for Max data rate, pulse duration propagation delay output rise and fall time measurement



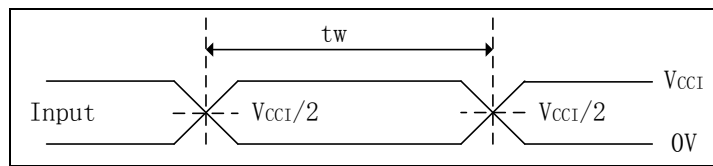
2> Load circuit for enable/disable time measurement



3> Timing Definitions for Propagation Delays and Enable/Disable Measurement



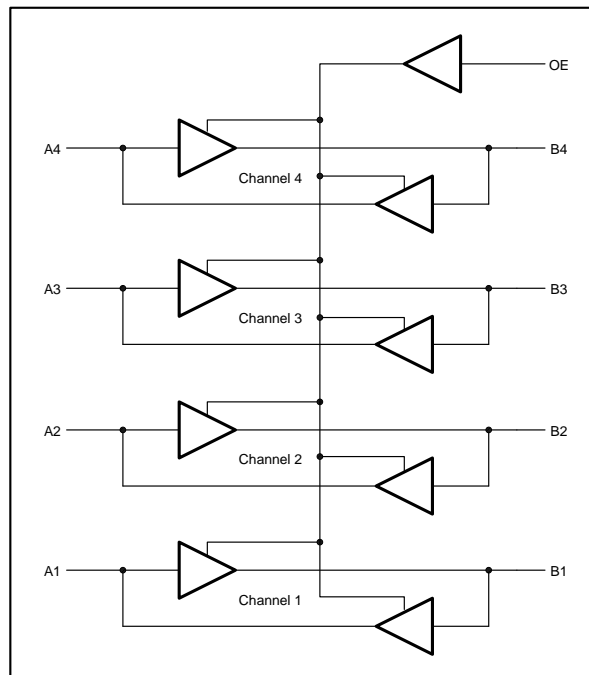
4> Voltage waveforms pulse duration



5> Notes

- A. C_L includes probe and jig capacitance.
- B. All input pulses are supplied by generators having the following characteristics: PRR_10 MHz, $Z_O = 50 \Omega$, $dv/dt \geq 1 \text{ V/ns}$.
- C. The outputs are measured one at a time, with one transition per measurement.
- D. t_{PLH} and t_{PHL} are the same as t_{pd} .
- E. V_{CCI} is the V_{CC} associated with the input port.
- F. V_{CCO} is the V_{CC} associated with the output port.
- G. All parameters and waveforms are not applicable to all devices.

Block Diagram



Principles of operation

Applications

The PI4ULS5V104 can be used in level-translation applications for interfacing devices or systems operating at different interface voltages with one another.

Architecture

The PI4ULS5V104 architecture (see *Figure 1*) does not require a direction-control signal to control the direction of data flow from A to B or from B to A. In a dc state, the output drivers of the PI4ULS5V104 can maintain a high or low, but are designed to be weak, so that they can be overdriven by an external driver when data on the bus starts flowing the opposite direction.

The output one shots detect rising or falling edges on the A or B ports. During a rising edge, the one shot turns on the PMOS transistors (T1, T3) for a short duration, which speeds up the low-to-high transition. Similarly, during a falling edge, the one shot turns on the NMOS transistors (T2, T4) for a short duration, which speeds up the high-to-low transition. The typical output impedance during output transition is 70 Ω at $V_{CC0}=1.2\text{ V}$ to 1.8 V, 50 Ω at $V_{CC0}=1.8\text{ V}$ to 3.3 V, and 40 Ω at $V_{CC0}=3.3\text{ V}$ to 5 V.

Input Driver Requirements

Typical I_{IN} vs V_{IN} characteristics of the PI4ULS5V104 are shown in *Figure 2*. For proper operation, the device driving the data I/Os of the PI4ULS5V104 must have drive strength of at least $\pm 2\text{mA}$.

Power Up

During operation, ensure that $V_{CCA} \leq V_{CCB}$ at all times. During power-up sequencing, $V_{CCA} \geq V_{CCB}$ does not damage the device, so any power supply can be ramped up first. The PI4ULS5V104 has circuitry that disables all output ports when either V_{CC} is switched off ($V_{CCA/B} = 0\text{ V}$).

Enable and Disable

The PI4ULS5V104 has an OE input that is used to disable the device by setting OE = low, which places all I/Os in the high-impedance (Hi-Z) state. The disable time (t_{dis}) indicates the delay between when OE goes low and when the outputs actually get disabled (Hi-Z). The enable time (t_{en}) indicates the amount of time the user must allow for the one-shot circuitry to become operational after OE is taken high.

Pull-up or Pull-down Resistors on I/O Lines

The PI4ULS5V104 is designed to drive capacitive loads of up to 70 pF. The output drivers of the PI4ULS5V104 have low dc drive strength. If pullup or pulldown resistors are connected externally to the data I/Os, their values must be kept higher than 50 k Ω to ensure that they do not contend with the output drivers of the PI4ULS5V104.

For the same reason, the PI4ULS5V104 should not be used in applications such as I²C or 1-Wire where an open-drain driver is connected on the bidirectional data I/O.

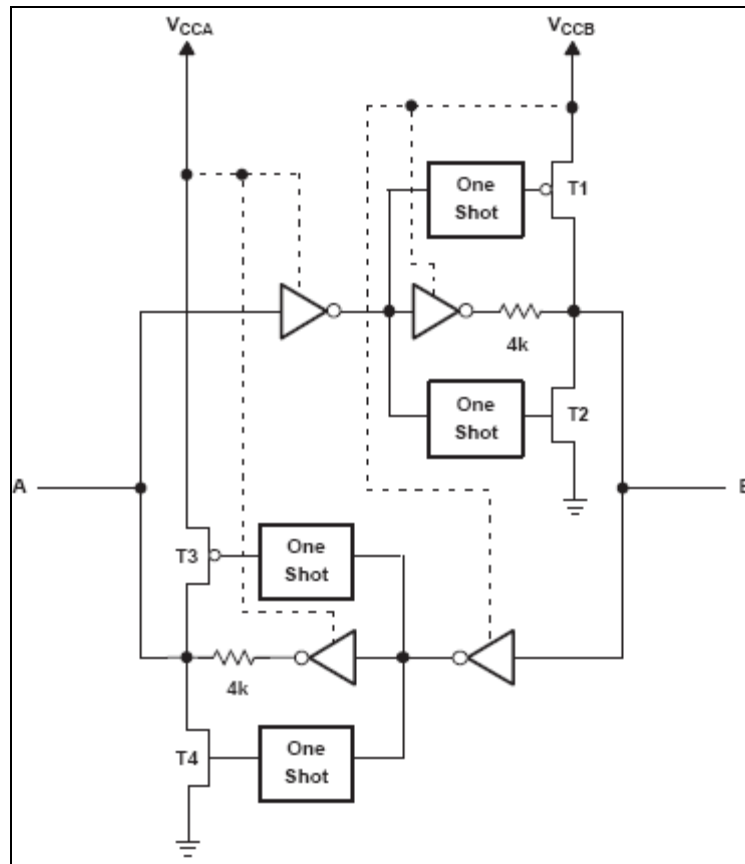


Figure1. Architecture of PI4ULS5V104 I/O Cell

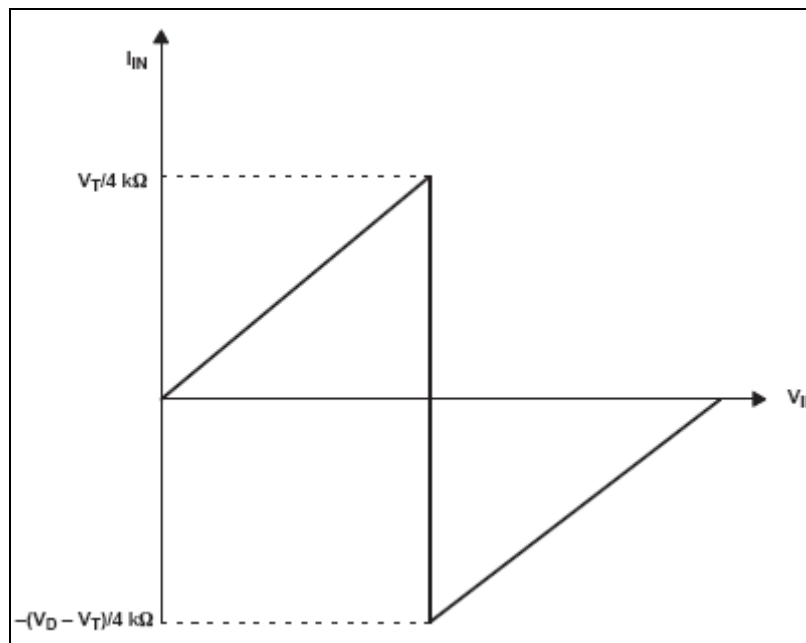


Figure2. Typical I_{IN} vs. V_{IN} Curve

Note:

- A. V_T is the input threshold voltage of the PI4ULS5V104 (typically $V_{CC1}/2$).
- B. V_D is the supply voltage of the external driver.

PI4ULS5V104

Mechanical Information

TQFN3.5x3.5-14

TOP VIEW

BOTTOM VIEW

SIDE VIEW

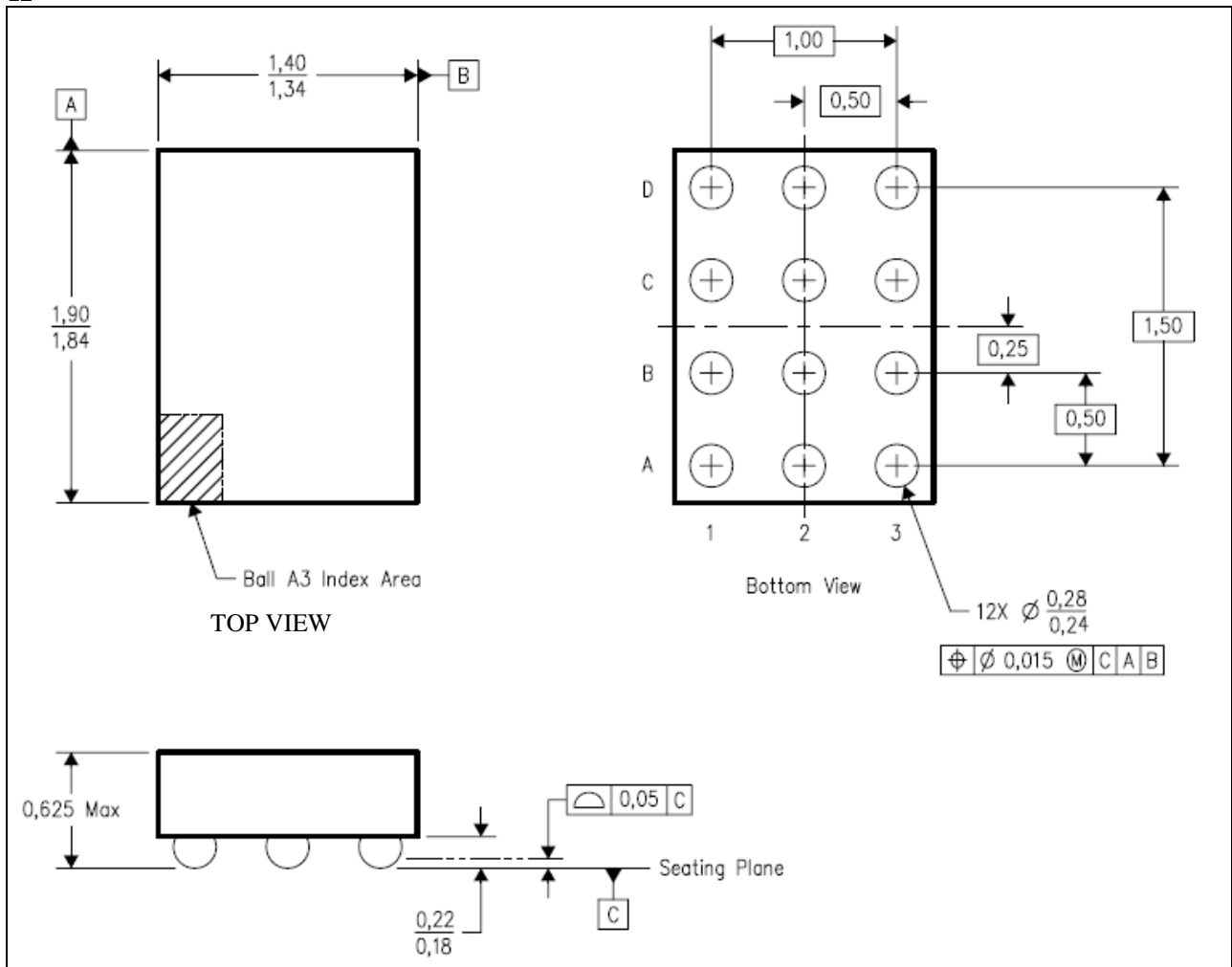
| PKG. DIMENSIONS(MM) | | |
|---------------------|----------|------|
| SYMBOL | Min | Max |
| A | 0.80 | 0.90 |
| A1 | 0.00 | 0.05 |
| A3 | 0.20 REF | |
| D | 3.42 | 3.58 |
| E | 3.42 | 3.58 |
| D1 | 1.95 | 2.15 |
| E1 | 1.95 | 2.15 |
| b | 0.20 | 0.30 |
| e | 0.50 TYP | |
| e1 | 1.50 TYP | |
| L | 0.32 | 0.48 |

Note:
1. Ref: JEDEC MO-288B

| | |
|--|----------------|
| PERICOM Enabling Serial Connectivity | DATE: 06/18/13 |
| DESCRIPTION: 14-Pin, TQFN, 3.5x3.5 | |
| PACKAGE CODE: ZB (ZB14) | |
| DOCUMENT CONTROL #: PD-2154 | REVISION: -- |

13-0193

CSP-12



For latest package info.
please check: <http://www.diodes.com/design/support/packaging/pericom-packaging/packaging-mechanicals-and-thermal-characteristics/>

Ordering Information

| Part Number | Package Code | Package |
|-----------------|--------------|-------------------------------------|
| PI4ULS5V104ZBEX | ZB | 14-pin, 3.5X3.5 (TQFN) |
| PI4ULS5V104GAEX | GA | 12-pin, 1.37X1.87 Wafer Level (CSP) |

Notes:

- Thermal characteristics can be found on the company web site at www.diodes.com/design/support/packaging/
- E = Pb-free and Green
- X suffix = Tape/Reel

IMPORTANT NOTICE

DIODES INCORPORATED MAKES NO WARRANTY OF ANY KIND, EXPRESS OR IMPLIED, WITH REGARDS TO THIS DOCUMENT, INCLUDING, BUT NOT LIMITED TO, THE IMPLIED WARRANTIES OF MERCHANTABILITY AND FITNESS FOR A PARTICULAR PURPOSE (AND THEIR EQUIVALENTS UNDER THE LAWS OF ANY JURISDICTION).

Diodes Incorporated and its subsidiaries reserve the right to make modifications, enhancements, improvements, corrections or other changes without further notice to this document and any product described herein. Diodes Incorporated does not assume any liability arising out of the application or use of this document or any product described herein; neither does Diodes Incorporated convey any license under its patent or trademark rights, nor the rights of others. Any Customer or user of this document or products described herein in such applications shall assume all risks of such use and will agree to hold Diodes Incorporated and all the companies whose products are represented on Diodes Incorporated website, harmless against all damages.

Diodes Incorporated does not warrant or accept any liability whatsoever in respect of any products purchased through unauthorized sales channel.

Should Customers purchase or use Diodes Incorporated products for any unintended or unauthorized application, Customers shall indemnify and hold Diodes Incorporated and its representatives harmless against all claims, damages, expenses, and attorney fees arising out of, directly or indirectly, any claim of personal injury or death associated with such unintended or unauthorized application.

Products described herein may be covered by one or more United States, international or foreign patents pending. Product names and markings noted herein may also be covered by one or more United States, international or foreign trademarks.

This document is written in English but may be translated into multiple languages for reference. Only the English version of this document is the final and determinative format released by Diodes Incorporated.

LIFE SUPPORT

Diodes Incorporated products are specifically not authorized for use as critical components in life support devices or systems without the express written approval of the Chief Executive Officer of Diodes Incorporated. As used herein:

A. Life support devices or systems are devices or systems which:

1. are intended to implant into the body, or
2. support or sustain life and whose failure to perform when properly used in accordance with instructions for use provided in the labeling can be reasonably expected to result in significant injury to the user.

B. A critical component is any component in a life support device or system whose failure to perform can be reasonably expected to cause the failure of the life support device or to affect its safety or effectiveness.

Customers represent that they have all necessary expertise in the safety and regulatory ramifications of their life support devices or systems, and acknowledge and agree that they are solely responsible for all legal, regulatory and safety-related requirements concerning their products and any use of Diodes Incorporated products in such safety-critical, life support devices or systems, notwithstanding any devices- or systems-related information or support that may be provided by Diodes Incorporated. Further, Customers must fully indemnify Diodes Incorporated and its representatives against any damages arising out of the use of Diodes Incorporated products in such safety-critical, life support devices or systems.

Copyright © 2016, Diodes Incorporated
www.diodes.com