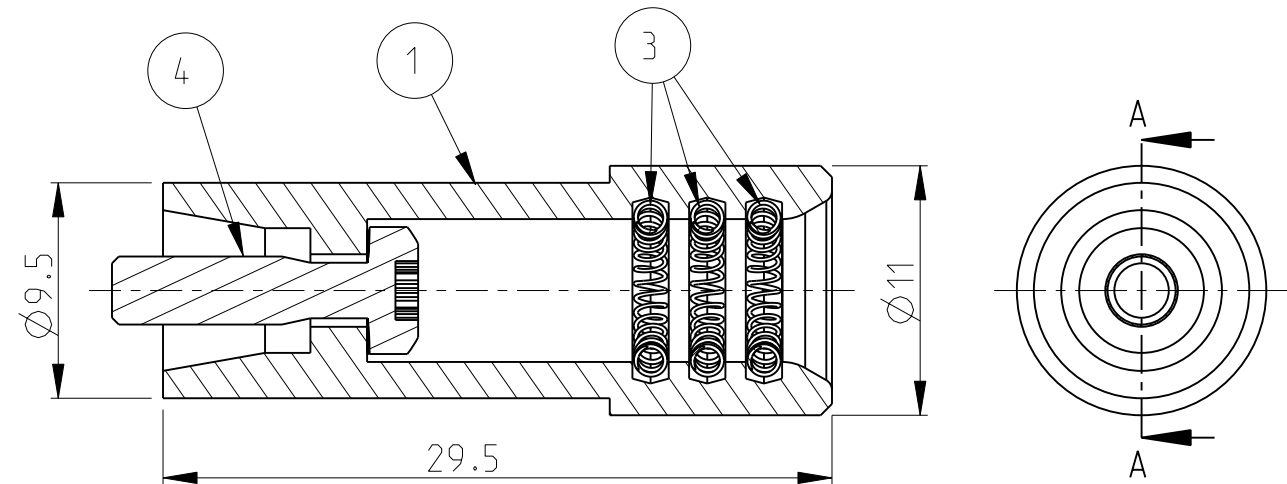


THIS DRAWING IS UNPUBLISHED. RELEASED FOR PUBLICATION .2000

© COPYRIGHT 2000 BY TYCO ELECTRONICS CORPORATION. ALL RIGHTS RESERVED.

PN 0-1



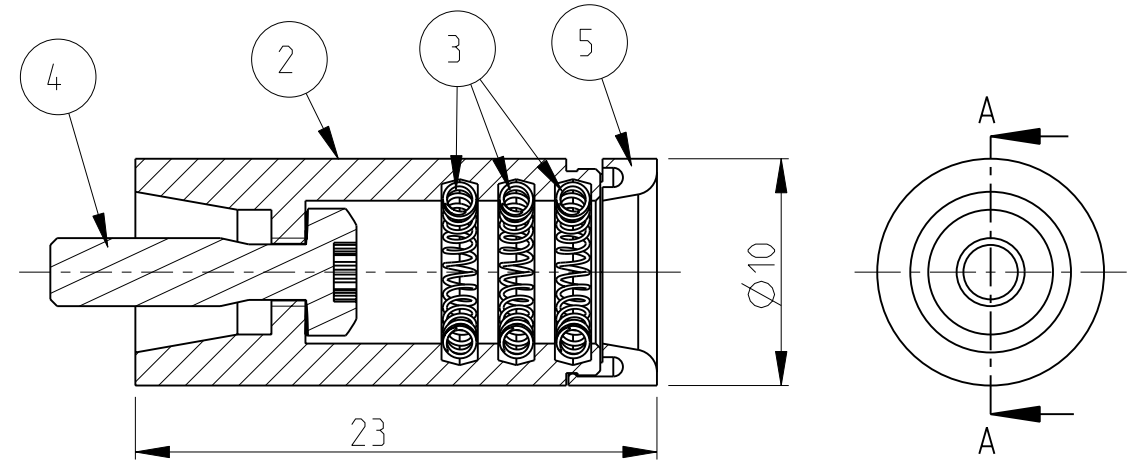
SECTION A-A
SCALE 3:1

LOC	DIST	REVISIONS					
		P	LTR	DESCRIPTION	DATE	DWN	APVD
AI	-						
NOTES		C4	RELEASED AS PER ECR-09-006875			25-MAR-2009	GG TS

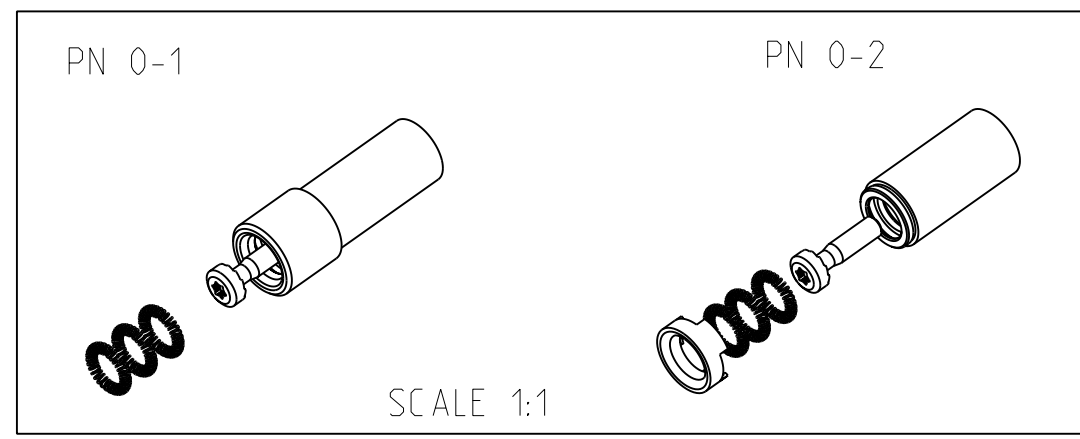
- 1 SUITABLE CRIMP BARRELS:SERIES HF.06/08
CUSTOMER DRAWING: 1110952,1108807
- 2 SUITABLE INSERTS:
FOR 0-1: SERIES MDL;MDL2
CUSTOMER DRAWING: 1102998,1103024,1104560,1110957

FOR 0-2: SERIES HVS;HC.20
CUSTOMER DRAWING: 1103242,1245441
- 3 STANDARDS:
DIN EN 61984;DIN EN 60664-1
- 4 PACKAGING QUANTITY: 10 SETS
IN A CARTON,PRE-MOUNTED

PN 0-2



SECTION A-A
SCALE 3:1



1	-	IP20 PROTECTION	PA6.6-GF25	-	BLACK	5	FOR SOCKET CONTACT
1	1	SCREW	STAINL.STEEL	-	-	4	M3 SELF LOCKING
3	3	COIL SPRING	Cu/be	SILVER PLATED	-	3	RAD.6.0 mm
1	-	SOCKET CONTACT	BRASS	SILVER PLATED	-	2	SHORT VERSION
-	1	SOCKET CONTACT	BRASS	SILVER PLATED	-	1	LONG VERSION
0-2	0-1	DESCRIPTION	MATERIAL	SURFACE	COLOR	ITEM NO	REMARKS
		HF.06.Bu					
		HF.06.Bu-IP20					

<small>THIS DRAWING IS A CONTROLLED DOCUMENT FOR TYCO ELECTRONICS CORPORATION IT IS SUBJECT TO CHANGE AND THE CONTROLLING ENGINEERING ORGANIZATION SHOULD BE CONTACTED FOR THE LATEST REVISION.</small>		DWN 09/08/2005 G.W.ROBLEWSKI CHK 09/08/2005 H.BRAUN APVD 09/08/2005 T.SCHNURPFIL		Tyco Electronics.AMP.GmbH 53757 Sankt Augustin, Germany	
DIMENSIONS: mm		TOLERANCES UNLESS OTHERWISE SPECIFIED: 0 PLC ± 1 PLC ± 2 PLC ± 3 PLC ± 4 PLC ± ANGLES ±		NAME ASS'Y SOCKET CONTACT SERIES HF6	
		PRODUCT SPEC 108-74024		SIZE A3	
MATERIAL 5		FINISH 6		DRAWING NO C=1110949	
		APPLICATION SPEC 114-74031		RESTRICTED TO -	
		WEIGHT -		SCALE 5:1	
		CUSTOMER DRAWING		SHEET 1 OF 1	
				REV C4	