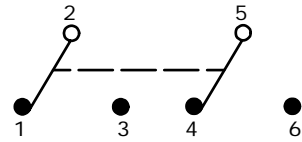
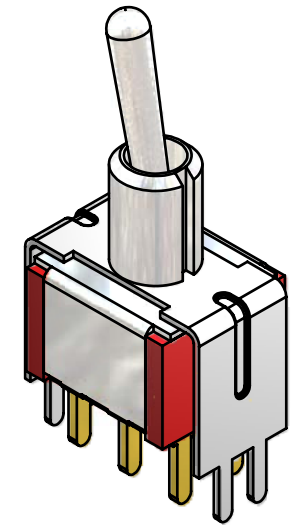
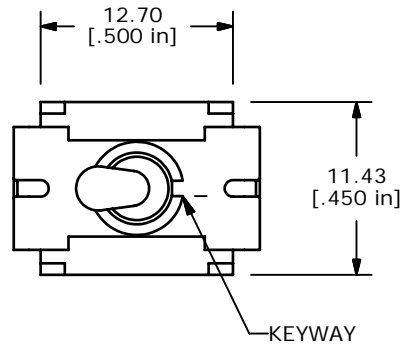


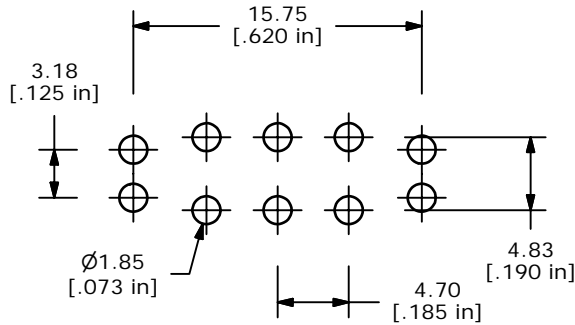
SWITCH FUNCTION		
POS. 1	POS. 2	POS. 3
ON	OFF	ON
2-3, 5-6	OPEN	2-1, 5-4



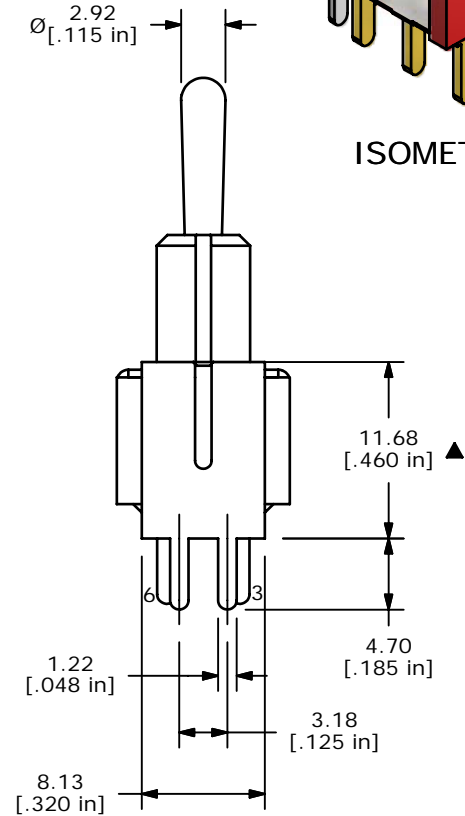
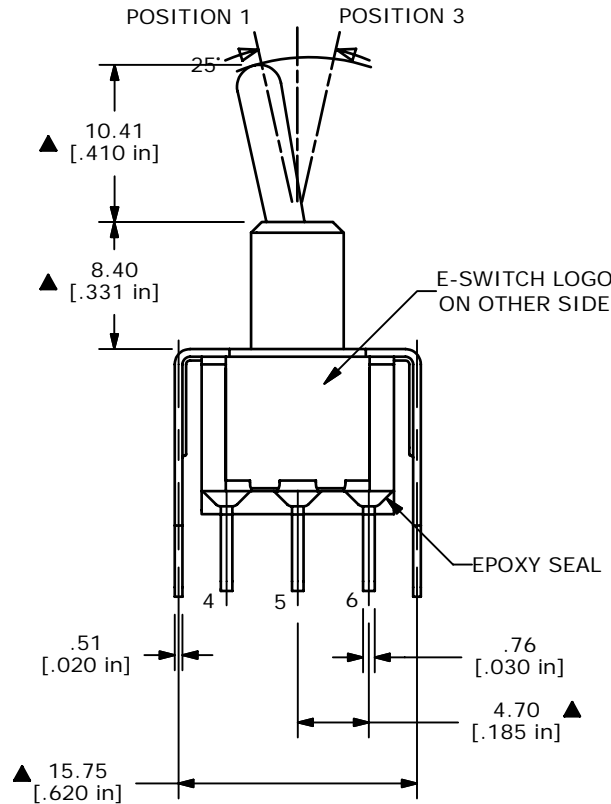
CIRCUIT: DPDT



ISOMETRIC



RECOMMENDED PANEL MOUNTING



NOTES:

1. ALL DIMENSIONS IN MM [INCH]
2. GENERAL TOLERANCE: x.x=±0.4
x.xx=±0.25
3. TERM. NUMBERS FOR REFERENCE ONLY
4. RATING: .4VA MAX. @ 20V MAX AC OR DC.
- ▲5. CONTACT MATERIAL: GOLD
6. ELECTRICAL LIFE: 30,000 CYCLES
7. INSULATION RESISTANCE: 1,000M OHM MIN.
8. DIELECTRIC STRENGTH: 1000V RMS @ SEA LEVEL
9. OPERATING TEMP: -30°C to 85°C
10. ▲ DENOTES CRITICAL PARAMETER
11. 2002/95/EC (ROHS) COMPLIANT
- ▲12. PACKAGE: TRAY/54 PIECES PER



TITLE 100DP3T1B2VS2RE

A	17015	RELEASED FOR PRODUCTION	2/26/07	TN
REV	PCR NO	DESCRIPTION	DATE	BY

THE INFORMATION CONTAINED IN THIS DOCUMENT IS PROPRIETARY TO E-SWITCH AND IS NOT TO BE COPIED OR TRANSFERRED

SCALE	DATE	DR	DWG	REV
2:1	2/26/2007	TN	T121081	A