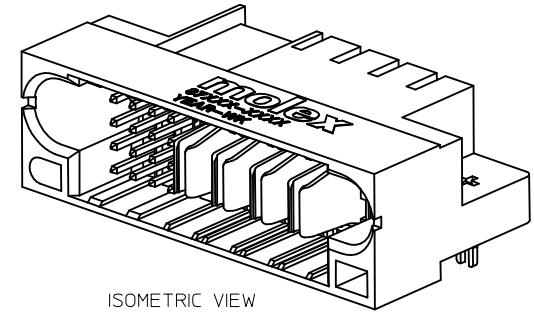
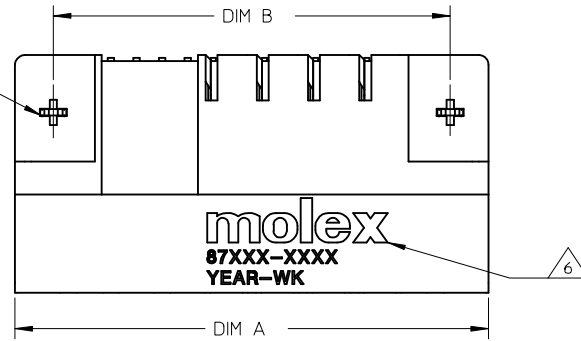
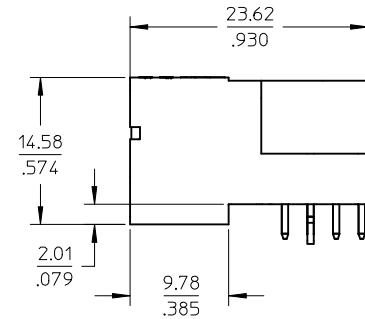
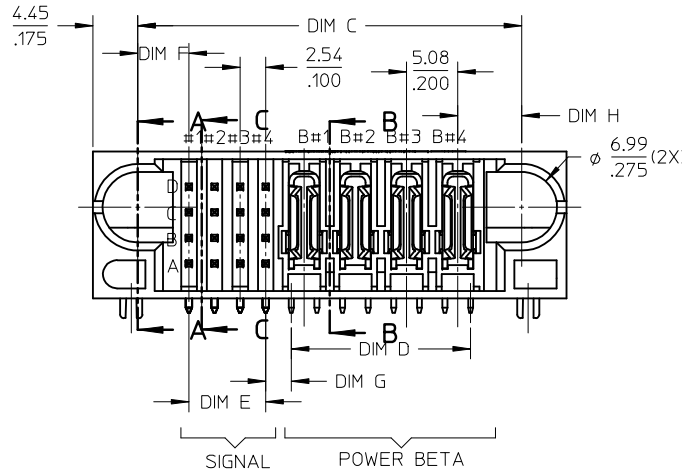


SCREWMOUNT OPTION
(SEE TABLE/SHEET 3)

REFER TO OPTION AT
TABLE/SHEET 3



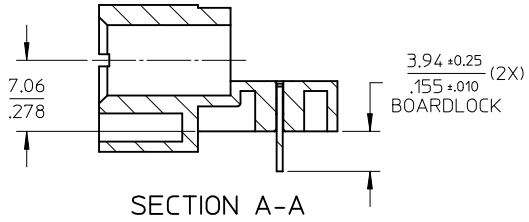
ISOMETRIC VIEW



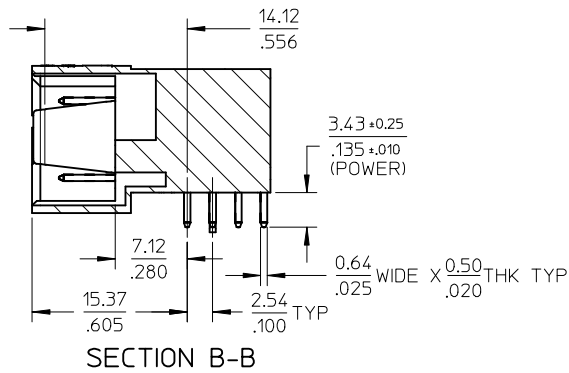
NOTES:

1. MATERIALS: HOUSING - LCP, GLASS FILLED, UL94V-0,
COLOUR: BLACK
POWER PINS - COPPER ALLOY
SIGNAL PINS - COPPER ALLOY
BOARDLOCK - COPPER ALLOY
2. FINISHES: POWER & SIGNAL PINS:
SELECTIVE GOLD IN CONTACT AREA.
THICKNESS= 0.76 MICROMETER/ 30 MICROINCH MINIMUM
SELECTIVE TIN ALLOY IN THE PC TAIL AREA
THICKNESS= 2.54 MICROMETER/100 MICROINCH MINIMUM
NICKEL OVERALL.
3. PRODUCT SPECIFICATION: PS-87805-006.
4. SEE SHEET 2 FOR RECOMMENDED PCB LAYOUT AND THICKNESS.
5. COMPONENT STAY AWAY ZONE FROM CONNECTOR.
6. MANUFACTURER LOGO, PART NUMBER AND YEAR-WEEK CODE.
7. PCB NOTE FOR DIAMETER 1.02/.040 PLATED HOLE.
- DRILLED HOLE SIZE IS 1.151/.0453.
- PLATED WITH 0.007/.0003 MINIMUM TIN OVER
0.03/.001 TO 0.08/.003 COPPER PLATING TO ACHIEVE
1.02±0.08/.040±.003 HOLE.
8. 16 SIGNAL-4P BETA CONFIGURATION IS SHOWN FOR ILLUSTRATION.
9. FOR SCREWMOUNT OPTION, THE DRILLED HOLE DIAMETER IS
4.01MM/.158".

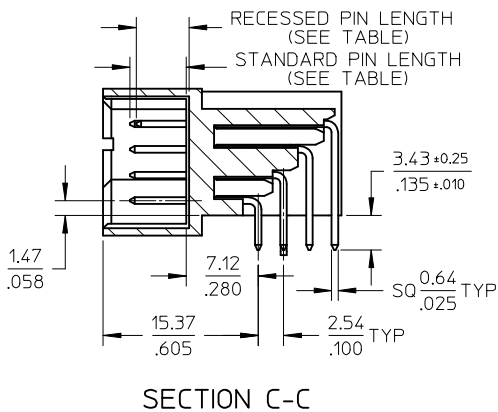
ADD P/N(87807-2011) EC NO: S2009-0688 DRWN: YMC HONG 2009/03/27 CHKD: ATSEE 2009/03/30 APPR: MLONG 2009/03/30	QUALITY SYMBOLS ▽=0 ◻=0	GENERAL TOLERANCES (UNLESS SPECIFIED)		DIMENSION STYLE MM/IN		SCALE NTS	DESIGN UNITS METRIC	THIRD ANGLE PROJECTION			
			mm	INCH	DRAWN BY NRVITAP	DATE 2004/03/26	TITLE POWER CONNECTOR HEADER 5.08MM VERSION S-P(B), R/A, T/H				
		4 PLACES	± ---	± ---	CHECKED BY BHLOW	DATE 2004/04/14	MOLEX INCORPORATED				
		3 PLACES	± ---	± .010	APPROVED BY SCLOW	DATE 2004/04/19					
2 PLACES	± 0.25	± ---	MATERIAL NO. SEE TABLE		DOCUMENT NO. SD-87807-001	SHEET NO. 1 OF 3					
1 PLACE	± ---	± ---	DRAFT WHERE APPLICABLE MUST REMAIN WITHIN DIMENSIONS							THIS DRAWING CONTAINS INFORMATION THAT IS PROPRIETARY TO MOLEX INCORPORATED AND SHOULD NOT BE USED WITHOUT WRITTEN PERMISSION	



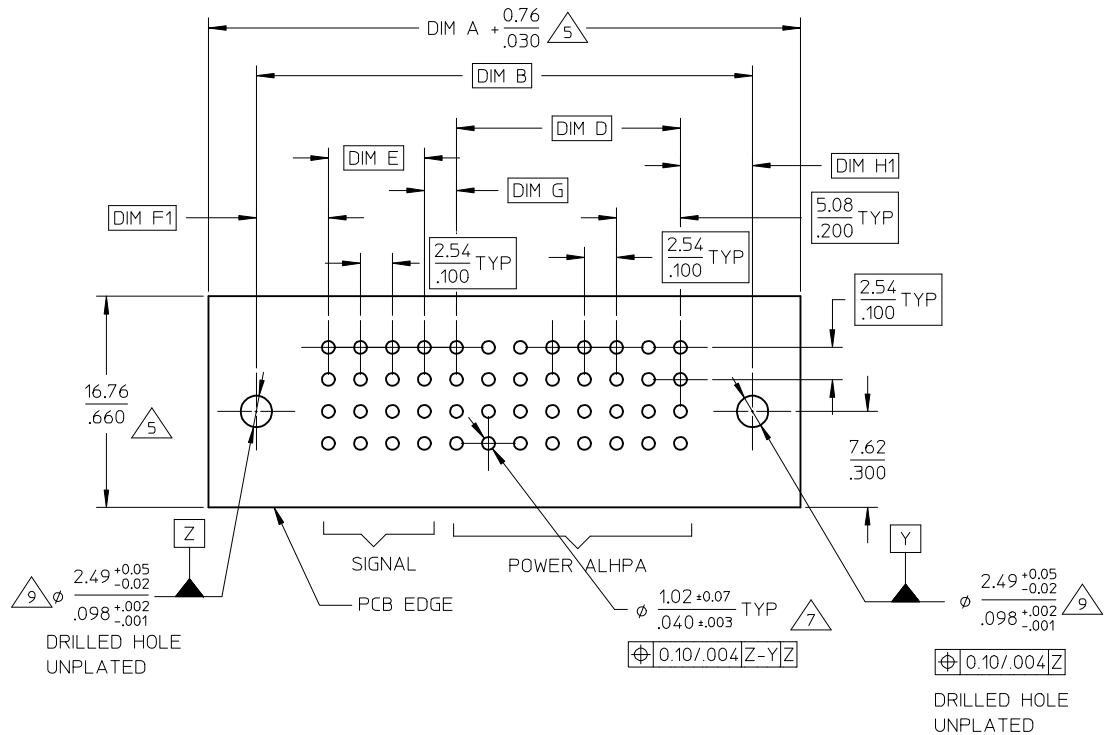
SECTION A-A



SECTION B-B



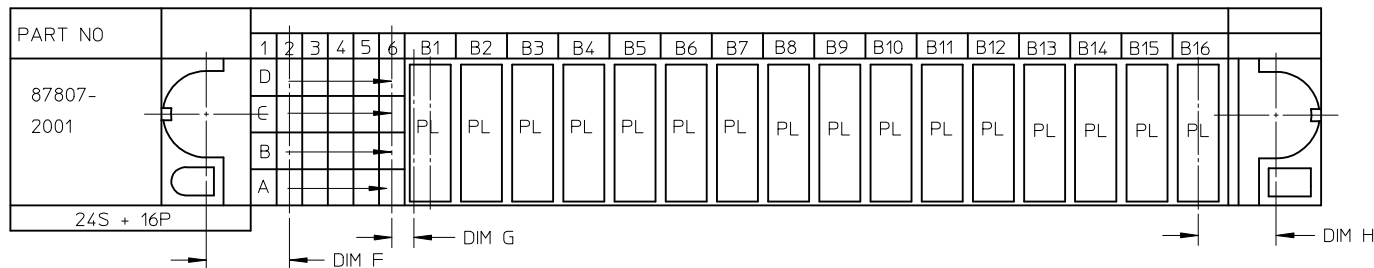
SECTION C-C



RECOMMENDED PCB LAYOUT
PCB THICKNESS 1.57mm/0.062"

ADD P/N(87807-2011) EC NO: S2009-0688 DRWN:YMCHONG 2009/03/27 CHKD:ATSEE 2009/03/30 APPR:MLONG 2009/03/30	QUALITY SYMBOLS	GENERAL TOLERANCES (UNLESS SPECIFIED)		DIMENSION STYLE MM/IN		SCALE NTS	DESIGN UNITS METRIC	THIRD ANGLE PROJECTION	
	▽=0	4 PLACES	± ---	± ---	DRAWN BY NRVITTAP	DATE 2004/03/26	TITLE POWER CONNECTOR HEADER 5.08MM VERSION S-P(B), R/A, T/H		
	∇=0	3 PLACES	± ---	± .010	CHECKED BY BHLOW	DATE 2004/04/14	MOLEX INCORPORATED		
		2 PLACES	± 0.25	± ---	APPROVED BY SCLOW	DATE 2004/04/19	MATERIAL NO.	DOCUMENT NO.	SHEET NO.
	1 PLACE	± ---	± ---	ANGULAR ± 3 °		SEE TABLE		SD-87807-001	2 OF 3
		DRAFT WHERE APPLICABLE MUST REMAIN WITHIN DIMENSIONS		THIS DRAWING CONTAINS INFORMATION THAT IS PROPRIETARY TO MOLEX INCORPORATED AND SHOULD NOT BE USED WITHOUT WRITTEN PERMISSION					

PART NUMBER	P-S-P CONFIGURATION		DIM A	DIM B	DIM C	DIM D	DIM E	STANDARD SIGNAL PIN LENGTH	RECESSED SIGNAL PIN		PACKAGING	DIM F	DIM F1	DIM G	DIM H	DIM H1	BOARDLOCK OR SCREWMOUNT OPTION
	SIGNAL	POWER BETA							LENGTH	LOCATION							
87807-2001	24	16	114.3 4.500	106.68 4.200	105.41 4.150	78.74 3.100	12.70 .500	6.86/.270	5.59/.220	B3, C1, D1	TRAY	5.08 .200	5.72 .225	3.18 .125	6.98 .275	6.35 .250	SCREWMOUNT
87807-2002	16	6	58.42 2.300	50.80 2.000	49.53 1.950	27.94 1.100	7.62 .300	6.86/.270	5.59/.220	A1	TRAY	5.08 .200	5.72 .225	3.18 .125	6.98 .275	6.35 .250	SCREWMOUNT
87807-2003	24	6	63.51 2.500	55.89 2.200	54.61 2.150	27.94 1.100	12.70 .500	6.86/.270	5.59/.220	A1	TRAY	5.08 .200	5.72 .225	3.18 .125	6.98 .275	6.35 .250	BOARDLOCK
87807-2004	24	6	63.51 2.500	55.89 2.200	54.61 2.150	27.94 1.100	12.70 .500	6.86/.270	5.59/.220	A1	TRAY	5.08 .200	5.72 .225	3.18 .125	6.98 .275	6.35 .250	SCREWMOUNT
87807-2005	24	6	63.51 2.500	55.89 2.200	54.61 2.150	27.94 1.100	12.70 .500	6.86/.270	5.59/.220	A1, B5, C5	TRAY	5.08 .200	5.72 .225	3.18 .125	6.98 .275	6.35 .250	SCREWMOUNT
87807-2006	24	6	63.51 2.500	55.89 2.200	54.61 2.150	27.94 1.100	12.70 .500	6.86/.270	5.59/.220	A1, B5, C5, C6	TRAY	5.08 .200	5.72 .225	3.18 .125	6.98 .275	6.35 .250	SCREWMOUNT
87807-2007	24	6	63.51 2.500	55.89 2.200	54.61 2.150	27.94 1.100	12.70 .500	6.86/.270	5.59/.220	A1 TO A6	TRAY	5.08 .200	5.72 .225	3.18 .125	6.98 .275	6.35 .250	SCREWMOUNT
87807-2010	24	10	83.83 3.300	76.21 3.000	74.93 2.950	48.26 1.900	12.70 .500	6.86/.270	5.59/.220	A2, A4, B4, C4, D6	TRAY	5.08 .200	5.72 .225	3.18 .125	6.98 .275	6.35 .250	SCREWMOUNT
87807-2011	24	10	83.83 3.300	76.21 3.000	74.93 2.950	48.26 1.900	12.70 .500	6.86/.270	5.59/.220	A2, A4, B4, C4, D6	TRAY	5.08 .200	5.72 .225	3.18 .125	6.98 .275	6.35 .250	BOARDLOCK



ADD P/N(87807-2011) EC NO: S2009-0688 DRWN: YCHONG 2009/03/27 CHKD: ATSEE 2009/03/30 APPR: MLONG 2009/03/30 REV C5	QUALITY SYMBOLS	GENERAL TOLERANCES (UNLESS SPECIFIED)	DIMENSION STYLE	SCALE	DESIGN UNITS	THIRD ANGLE PROJECTION
	$\nabla = 0$ $\nabla \square = 0$	mm INCH 4 PLACES \pm --- \pm --- 3 PLACES \pm --- \pm .010 2 PLACES \pm 0.25 \pm --- 1 PLACE \pm --- \pm --- ANGULAR \pm 3 °	MM/IN	NTS	METRIC	
	DESCRIPTION	DRAFT WHERE APPLICABLE MUST REMAIN WITHIN DIMENSIONS	DRAWN BY	DATE	TITLE	
			NRVITTAP	2004/03/26	POWER CONNECTOR HEADER 5.08MM VERSION S-P(B), R/A, T/H	
			APPROVED BY	DATE	MOLEX INCORPORATED	
		SCLOW	2004/04/19	SD-87807-001		
		MATERIAL NO.	SEE TABLE	DOCUMENT NO.	SHEET NO.	
		SIZE	A3	THIS DRAWING CONTAINS INFORMATION THAT IS PROPRIETARY TO MOLEX INCORPORATED AND SHOULD NOT BE USED WITHOUT WRITTEN PERMISSION		3 OF 3