

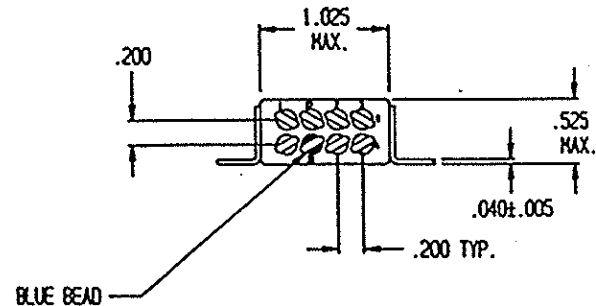
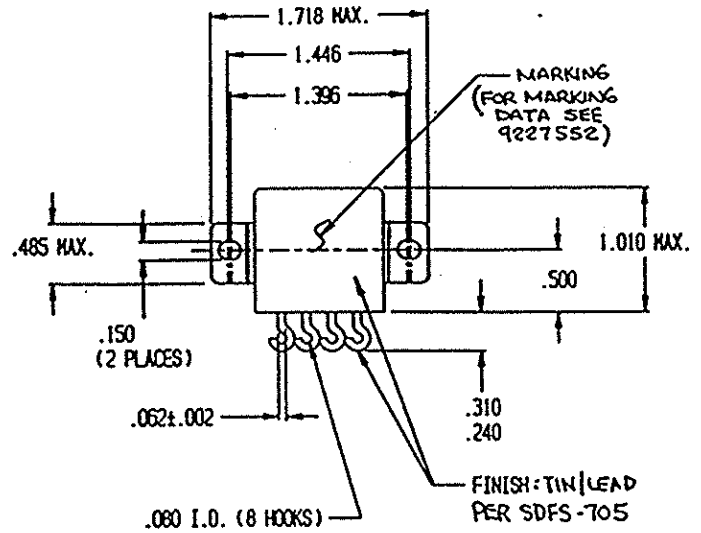
# MSD INC.

# ENGINEERING DATA SHEET

RELAY TYPE: FCA-210-0926M | COMPUTER PART No.: 9227552 | TEST PROCEDURE  
 CUSTOMER/SPECIFICATION: M83536/9-026 | REV NONE | MSDP-790

### TEST REQUIREMENTS

COIL RES.:  $\pm 10\%$  320 OHMS OPERATE TIME: 10mS MAX RELEASE TIME: 10mS MAX  
 CONTACT MAKE BOUNCE: 1mS MAX N.O. BREAK BOUNCE: N/A  
 CONTACT STABILIZATION TIME: 2.5 mS MAX RATED COIL VOLTAGE: 28Vdc  
 CONTACT RES.: MFG TEST: 8 Milliohms @ 10mA FINAL TEST: 10 Milliohms @ 10mA  
 CONTACT VOLTAGE DROP: FINAL TEST: 100mV @ 10A-6Vdc  
 HI-POT: 1250 Vrms ALL POINTS, EXCEPT 1000 Vrms COIL TO CASE  
 INSULATION RESISTANCE: 100 MEGOHMS MIN @ 500 Vdc  
 VIBRATION: MIL-STD-202, METHOD 204 (30G's / 100-3000HZ)  
 SEAL TEST:  $1 \times 10^{-8}$  MAX LEAK RATE COIL TRANSIENT SUPPRESSION: N/A  
 OTHER: \_\_\_\_\_



Prepared By: Date		Approved By: Date	
LES WYNNE 3-15-96		<i>J. Lockyer</i> 3-19-96	
Rev	ECN No.	Date	
A	96-065	3-15-96	

### SPECIAL INSTRUCTIONS