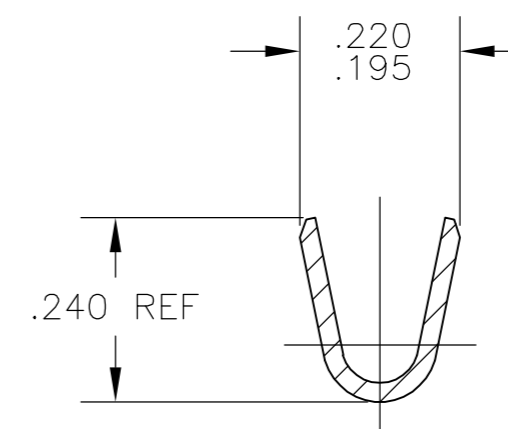
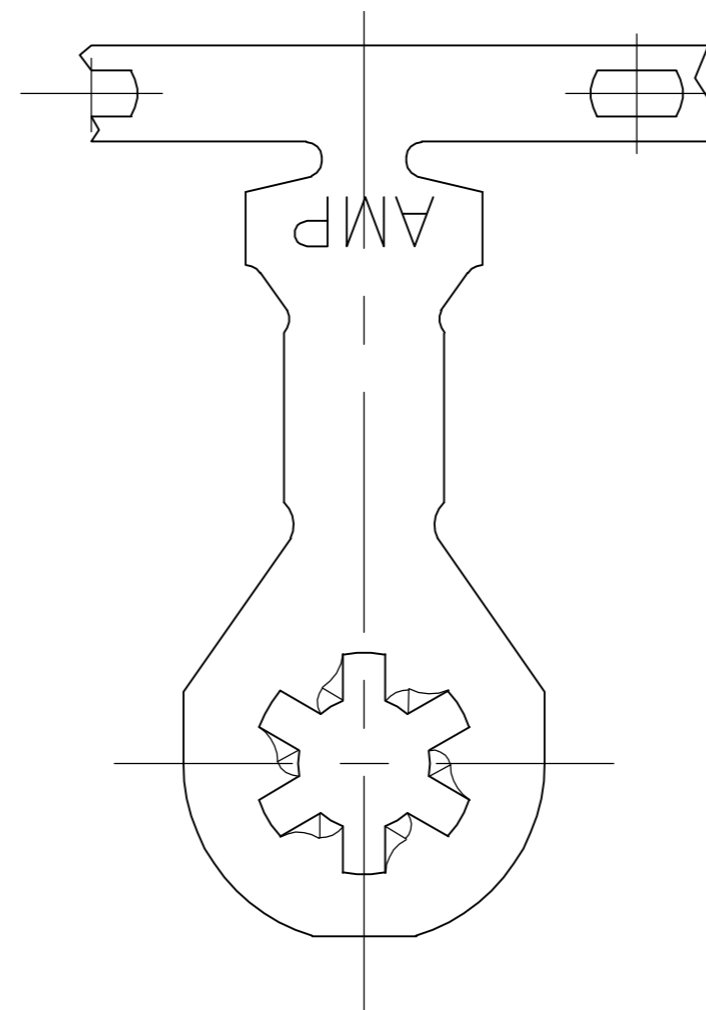
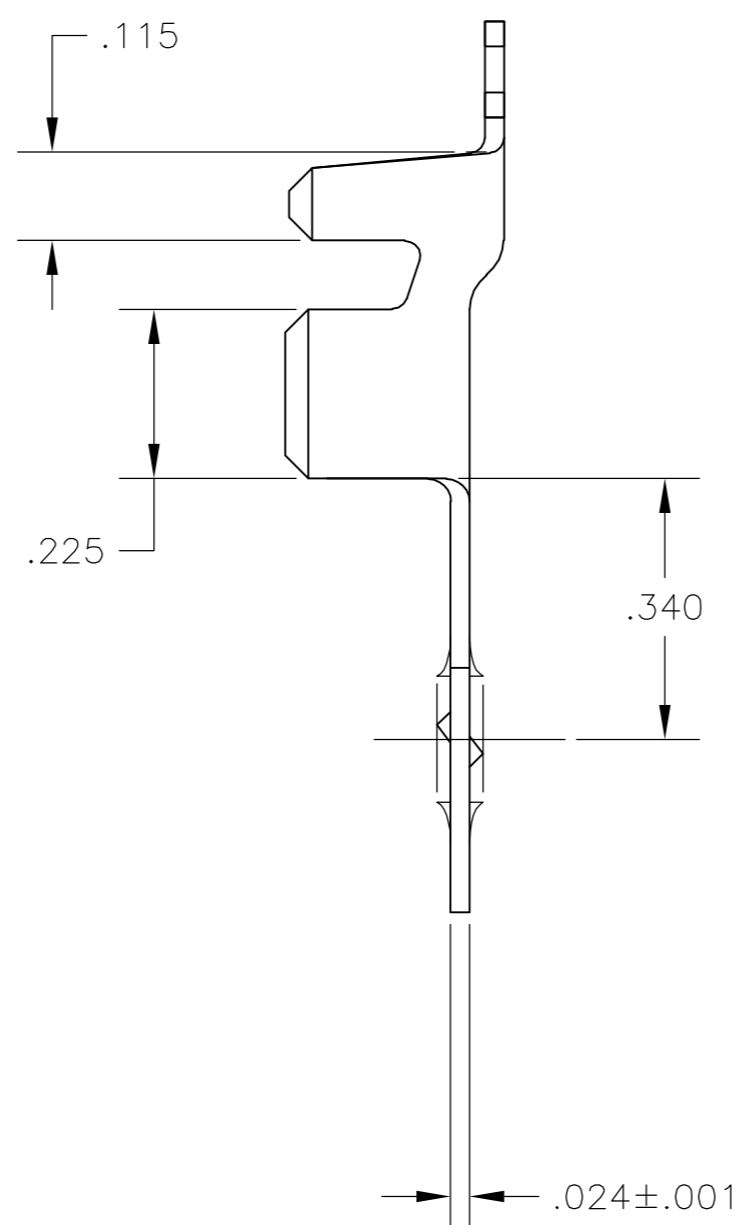
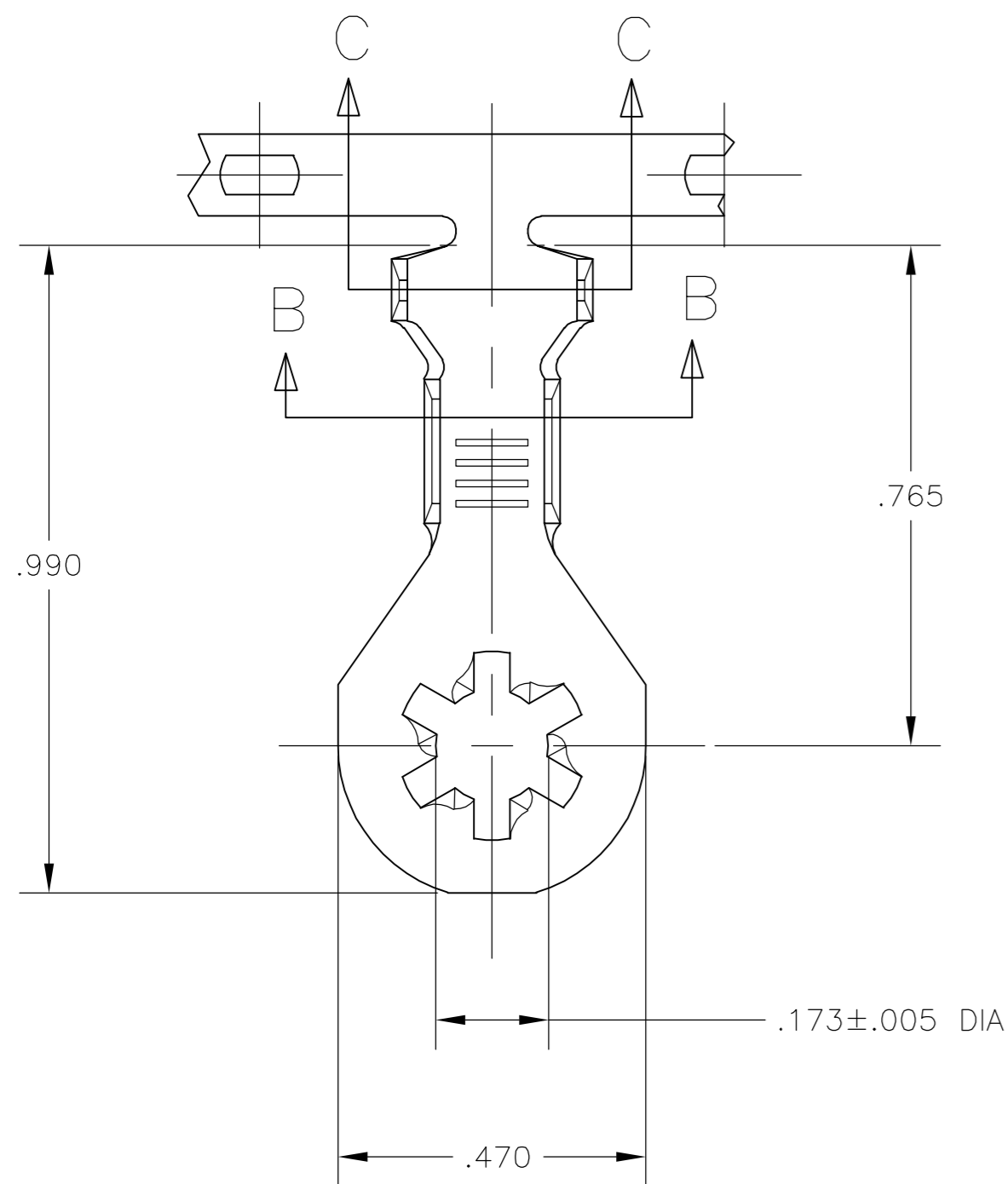


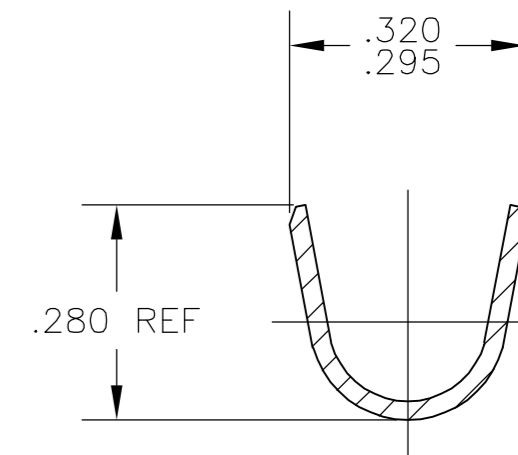
THIS DRAWING IS UNPUBLISHED. RELEASED FOR PUBLICATION  
 © COPYRIGHT BY TYCO ELECTRONICS CORPORATION. ALL RIGHTS RESERVED.

| LOC | DIST | REVISIONS   |                          |         |       |
|-----|------|-------------|--------------------------|---------|-------|
| P   | LTR  | DESCRIPTION | DATE                     | DWN     | APVD  |
| AF  | 50   | C           | REVISED PER OG3A-0923-04 | 30NOV04 | MF DD |

- CONTINUOUS STRIP ON REELS.
- WIRE RANGE: #12-#10 AWG,  
INSULATION RANGE: .125-.220 DIA.



SECTION B-B



SECTION C-C

|  |                          |                                    |
|--|--------------------------|------------------------------------|
| -                                      | -                        | -                                  |
| -                                      | -                        | -                                  |
| .000080 MIN TIN PLATE                  | TEMP 2 COLD ROLLED STEEL | 62612-2                            |
| -                                      | ANNEALED STAINLESS STEEL | 62612-1                            |
| FINISH                                 | MATERIAL                 | PART NUMBER                        |
| THIS DRAWING IS A CONTROLLED DOCUMENT. |                          | DWN 17NOV2004<br>MICHAEL S. FEHER  |
| DIMENSIONS: INCHES                     |                          | CHK 30NOV2004<br>DONALD F. DECKER  |
| TOLERANCES UNLESS OTHERWISE SPECIFIED: |                          | APVD 30NOV2004<br>DONALD F. DECKER |
| 0 PLC ± -                              |                          | NAME                               |
| 1 PLC ± -                              |                          | PRODUCT SPEC                       |
| 2 PLC ± -                              |                          | APPLICATION SPEC                   |
| 3 PLC ± .010                           |                          | SIZE                               |
| 4 PLC ± -                              |                          | CAGE CODE                          |
| ANGLES ± -                             |                          | DRAWING NO                         |
| FINISH                                 |                          | RESTRICTED TO                      |
| MATERIAL SEE TABLE                     | FINISH SEE TABLE         | WEIGHT -                           |
| CUSTOMER DRAWING                       |                          | SCALE 5:1                          |
| SHEET 1 OF 1                           |                          | REV C                              |

**tyco** Tyco Electronics Corporation  
**Electronics** Harrisburg, Pa 17105-3608

RING, ANTIROTATIONAL,  
8 STUD SIZE

A2 00779 C=62612