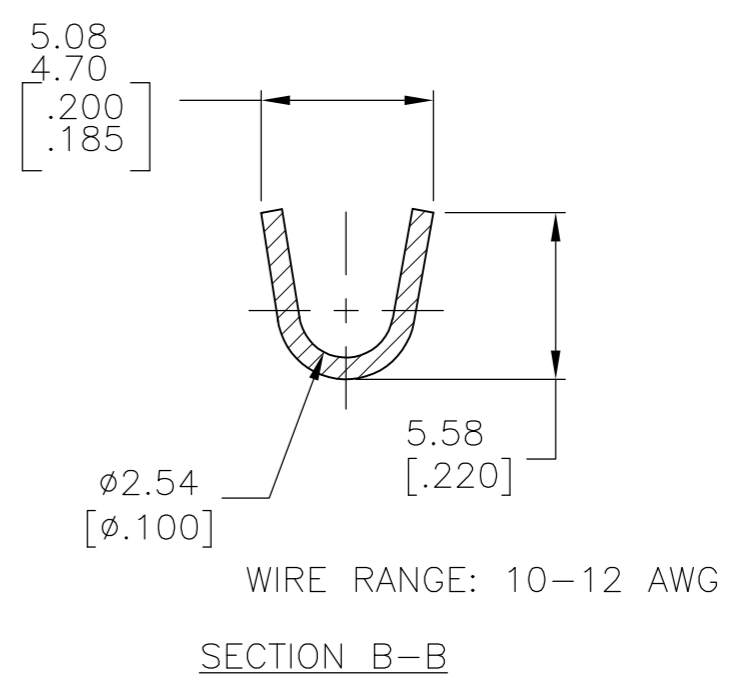
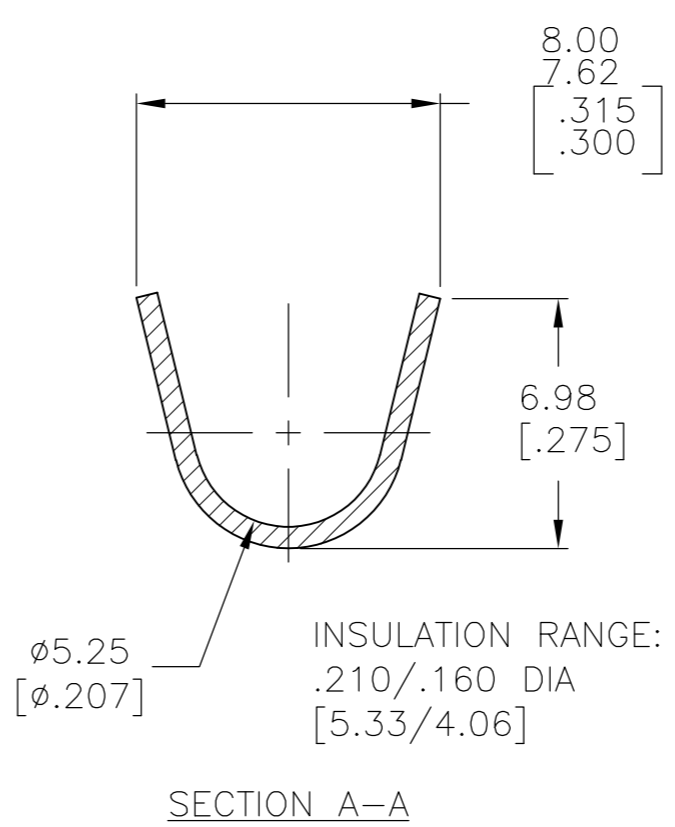
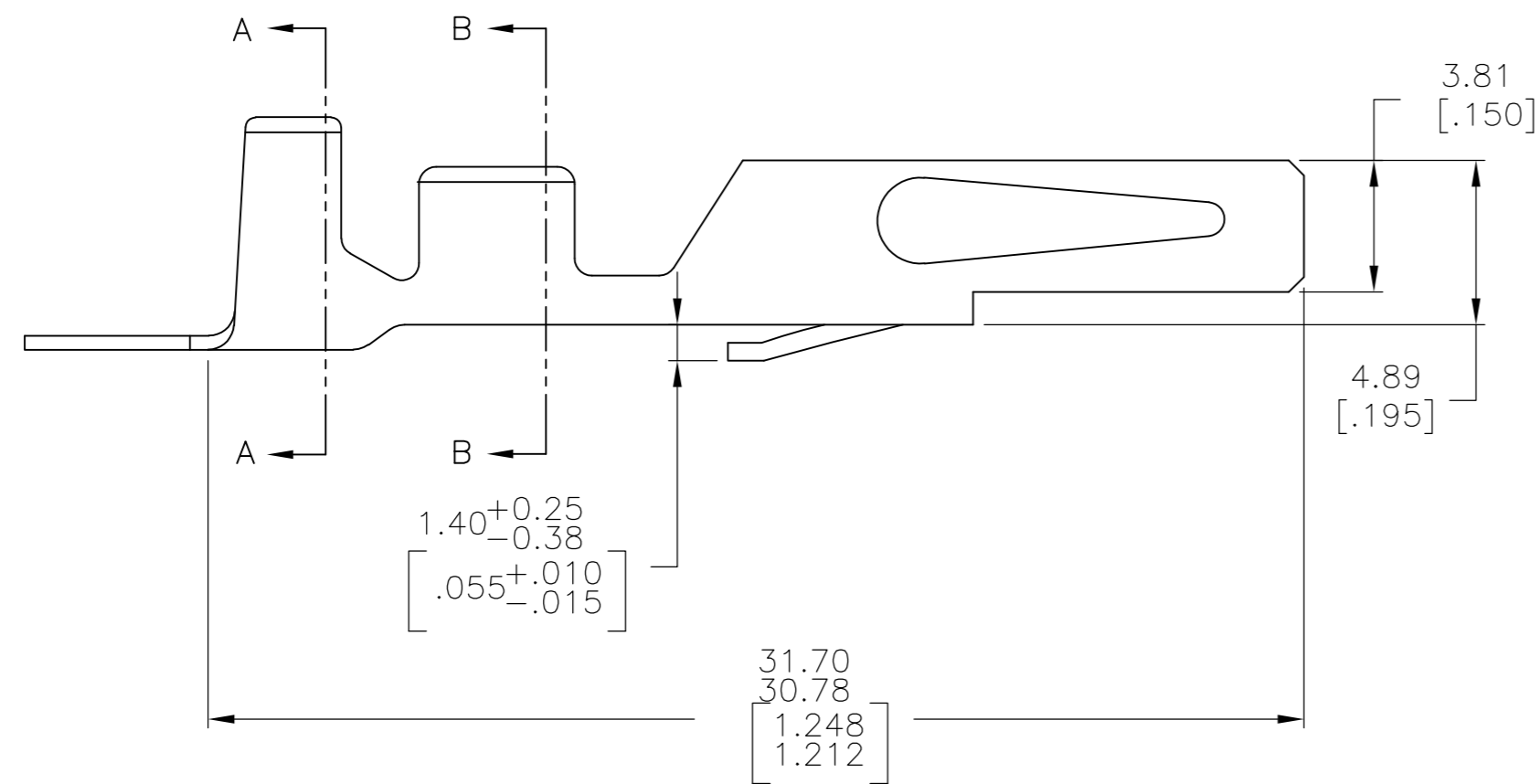
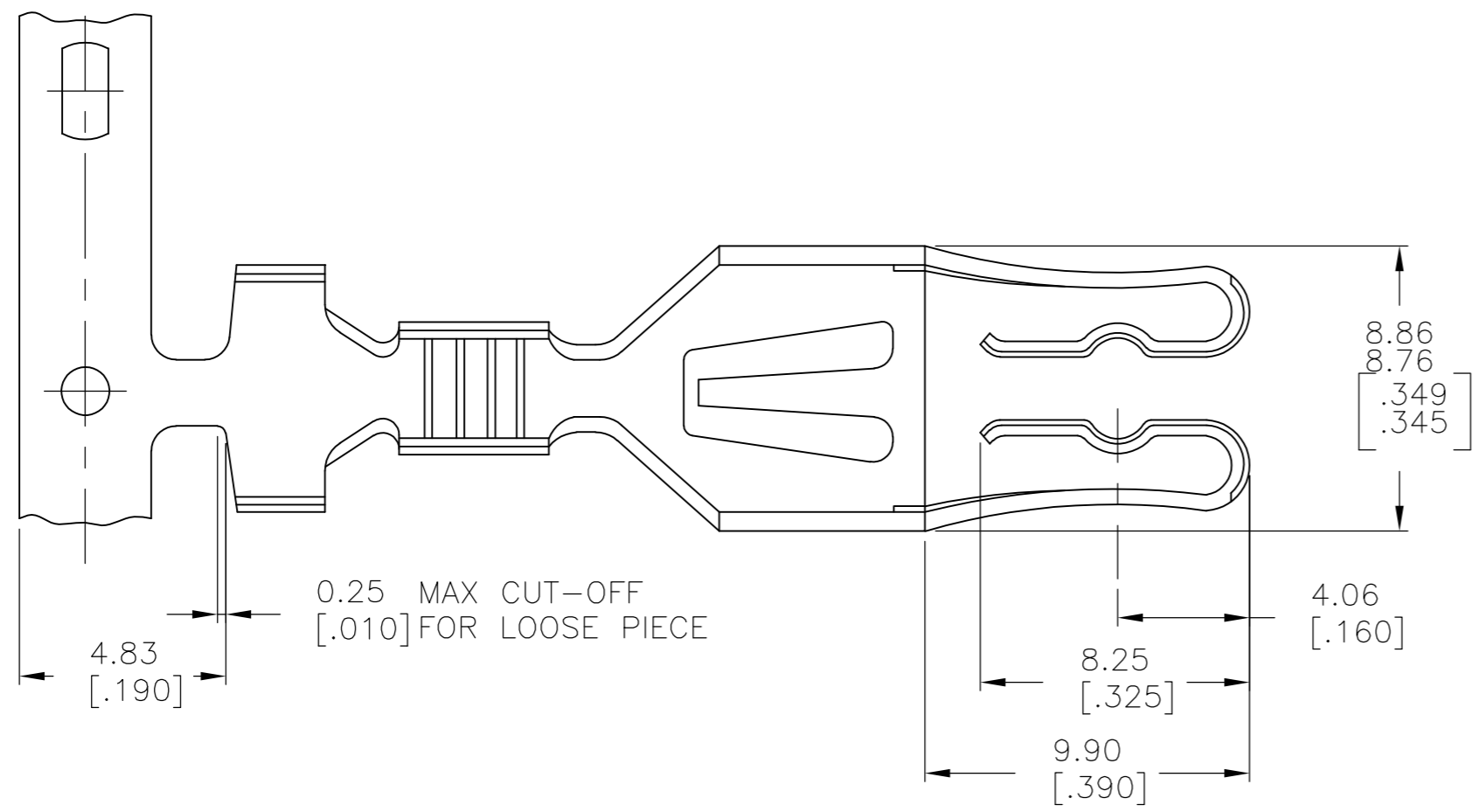


THIS DRAWING IS UNPUBLISHED. RELEASED FOR PUBLICATION  
 © COPYRIGHT - By - ALL RIGHTS RESERVED.

REVISIONS				
P	LTR	DESCRIPTION	DATE	APVD
E2		REVISED PER ECO-16-006308	08AUG2016	NK MM

- 1 0.000150 [.0038] BRIGHT TIN OVER 0.000030[.00076] NICKEL.
- 2 FIT FOR 0.093[2.36]±0.008[.20] THICK P.C BOARD.
- 3 DIMENSIONS IN BRACKETS ARE IN INCHES.
- 4 0.000150 [.0038] MATTE TIN OVER 0.000030[.00076] NICKEL.



531373-3	4	5-531373-2
531373-3	1	531373-2
LOOSE PIECE PART NO.	FINISH	PART NO.

THIS DRAWING IS A CONTROLLED DOCUMENT.		DWN	01FEB79	<b>STE</b> TE Connectivity	
DIMENSIONS: mm [INCHES]		CHK	02FEB79		
TOLERANCES UNLESS OTHERWISE SPECIFIED:		APVD	02FEB79	NAME	
0 PLC	± -	PRODUCT SPEC		CONTACT, HIGH CURRENT 10-12 AWG	
1 PLC	± -	APPLICATION SPEC		SIZE	CAGE CODE
2 PLC	± -	MATERIAL		DRAWING NO	RESTRICTED TO
3 PLC	± 0.127 [.005]	FINISH		A2	00779
4 PLC	± -	ALLOY CDA-194		C=531373	
ANGLES	± -	CUSTOMER DRAWING		SCALE	SHEET
	1			5:1	1 of 1
				REV	E2

531373

A