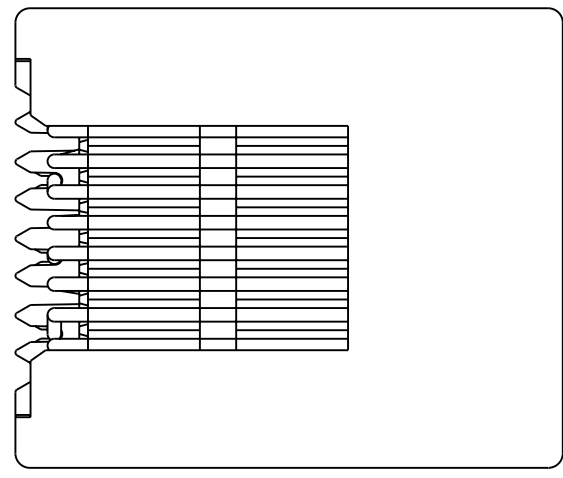
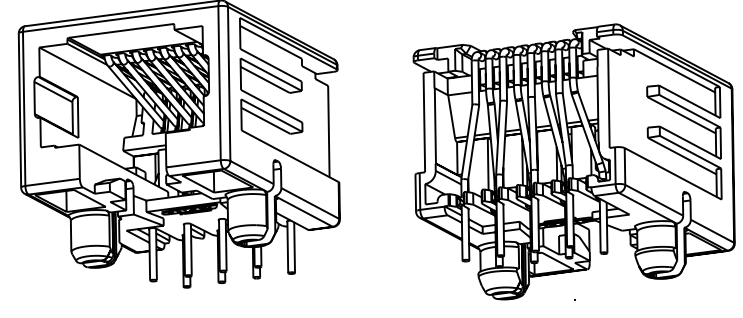


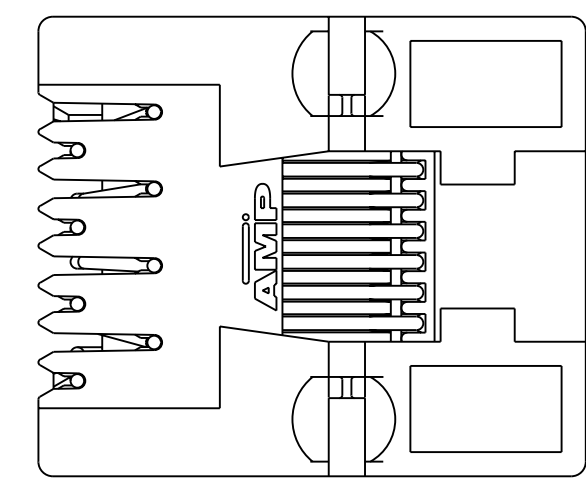
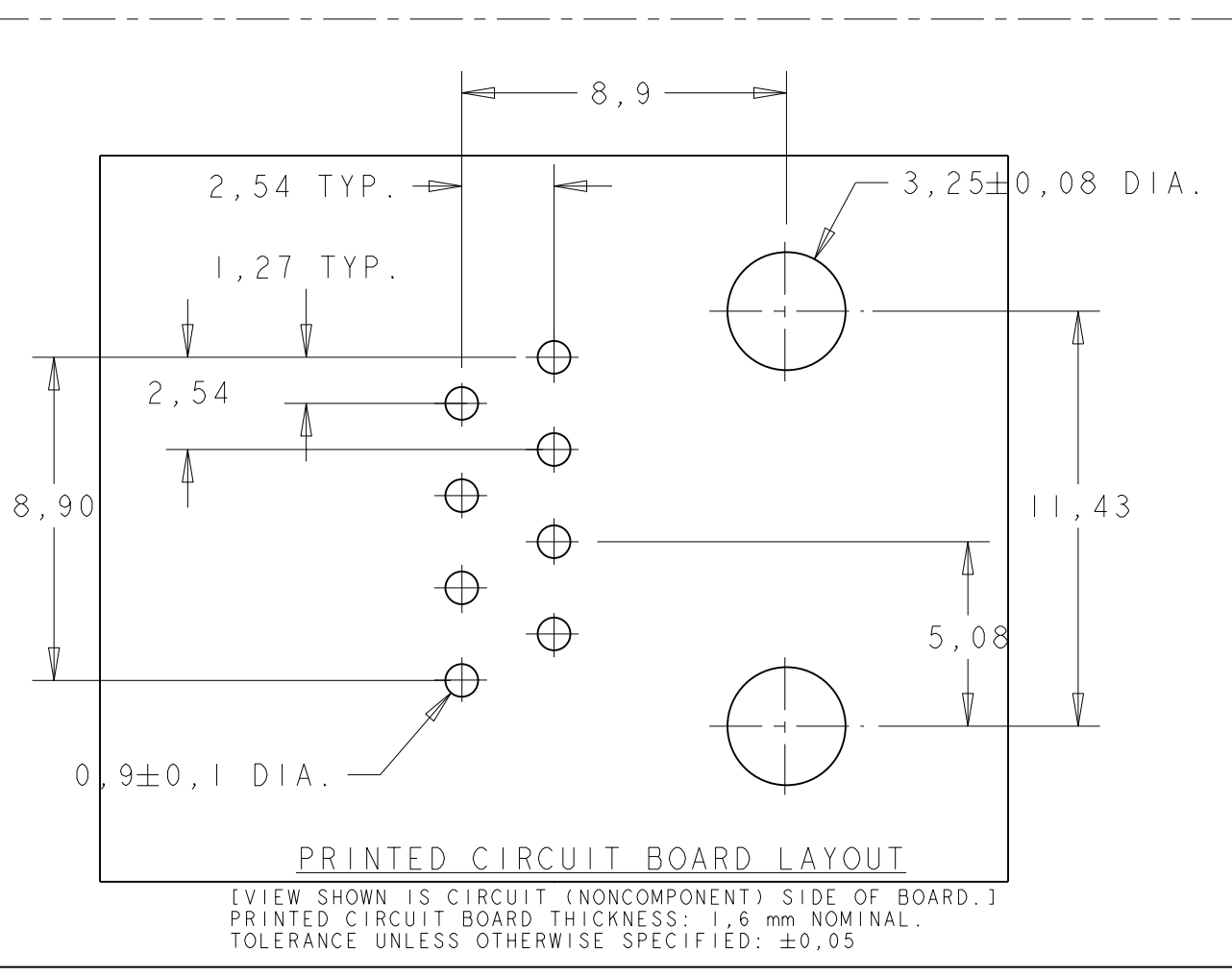
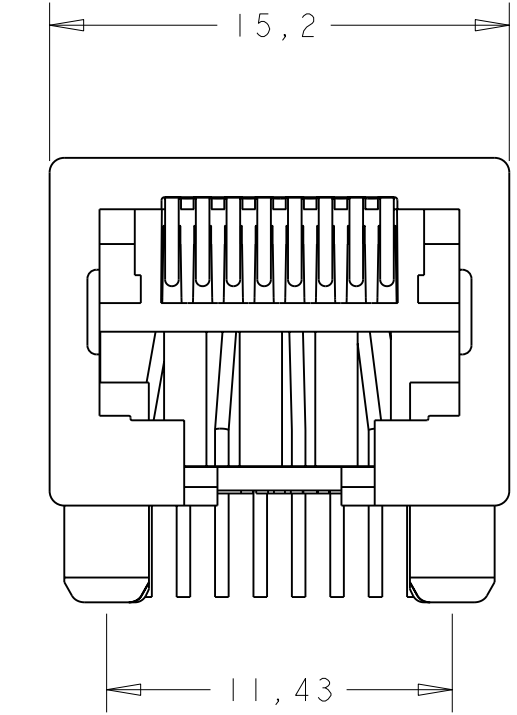
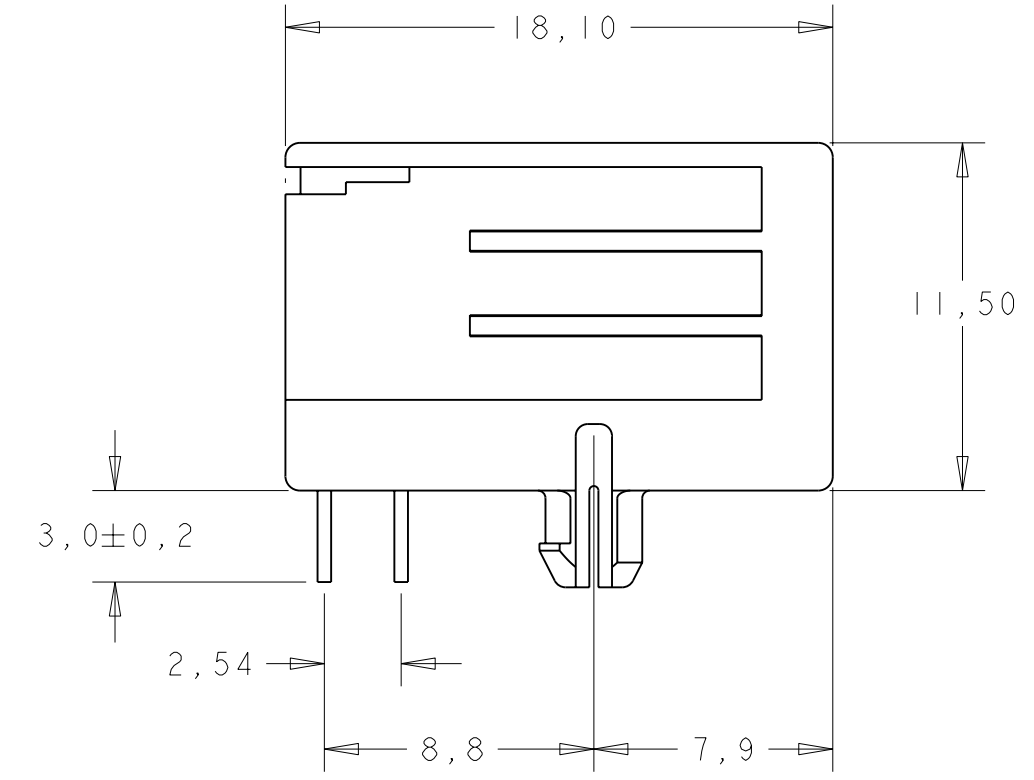
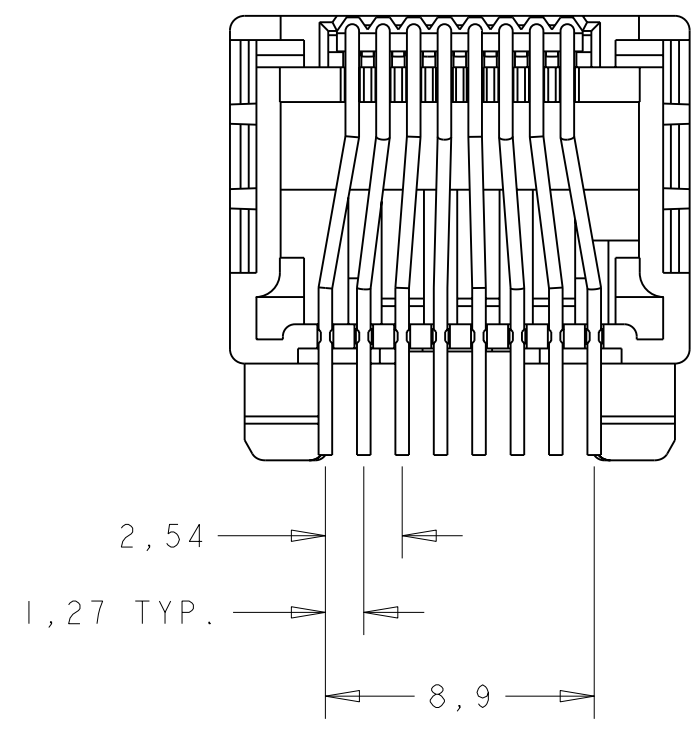
THIS DRAWING IS UNPUBLISHED. RELEASED FOR PUBLICATION
 © COPYRIGHT - ALL RIGHTS RESERVED.

LOC	DIST	REVISIONS			
P	LTR	DESCRIPTION	DATE	DWN	APVD
1R	-	AF	ECR-10-020218	21JUN2011	PS RRP



NOTES:

- 1 TOLERANCE UNLESS OTHERWISE SPECIFIED: $\pm 0,15$.
- 2 FOR THIS PACKAGING METHOD THE TRUE POSITION OF THE SOLDER TINES IS NOT GUARANTEED.
- 3 SUPERSEDED BY 1-215877-3



PACKAGING	REMARKS	FINISH	MATERIAL	ORDER NUMBER
1000 PIECES BULK PACKAGED	8 POS. / 8 CONTACTS OVERALL: Ni 1,27µm MIN. ALL OVER THE CONTACTS SOLDER ZONE: Sn 2,5µm MIN. ON THE SOLDER ZONE OF THE CONTACT MATING ZONE: PLATING CONFIRMS TO PRODUCT REQUIREMENTS AS PER SPECIFICATION 108-19064		HOUSING COLOR: BLUE RAL 5017	4-215877-1
200 PIECES IN A TRAY			HOUSING COLOR: GREY RAL 7035	3-215877-1
90 PIECES IN MULTI-TUBE			HOUSING COLOR: BLACK PBT: UL 94V-0 CONTACT INSERT: PBT: UL 94V-0 CONTACTS: pH BRONZE	1-215877-3
TAPE MOUNTED 700 PCS./REEL				215877-1

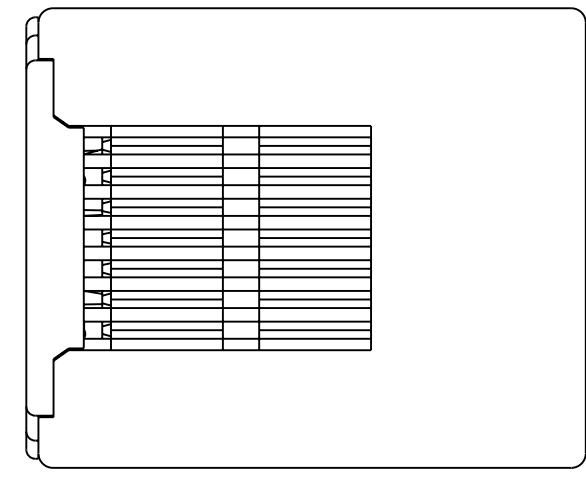
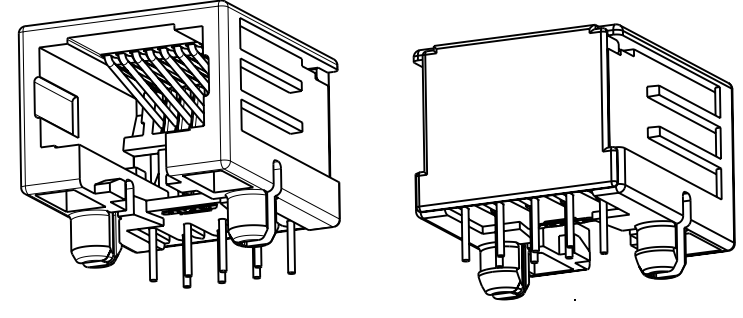
THIS DRAWING IS A CONTROLLED DOCUMENT.

DIMENSIONS: mm	TOLERANCES UNLESS OTHERWISE SPECIFIED:	DWN: E.v.Eijk	NAME: MODULAR JACK, 8 POS SIDE ENTRY FOR PRINTED CIRCUIT BOARD
0 PLC ±	1 PLC ±	CHK: M.v.Essen	SIZE: A2
2 PLC ±	3 PLC ±	APVD: R.Smeets	CAGE CODE: C-215877
4 PLC ±	ANGLES ±	PRODUCT SPEC: 108-19064	DRAWING NO: 114-19019
MATERIAL: -	FINISH: -	APPLICATION SPEC: 114-19019	RESTRICTED TO: -
		WEIGHT: -	SCALE: 4:1
		CUSTOMER DRAWING	SHEET 1 OF 2 REV AF

STE TE Connectivity

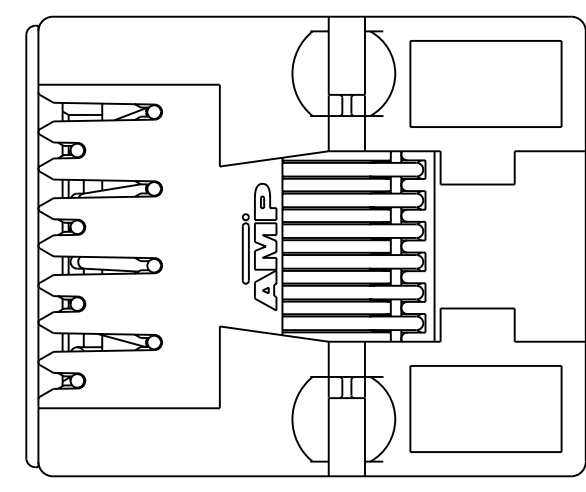
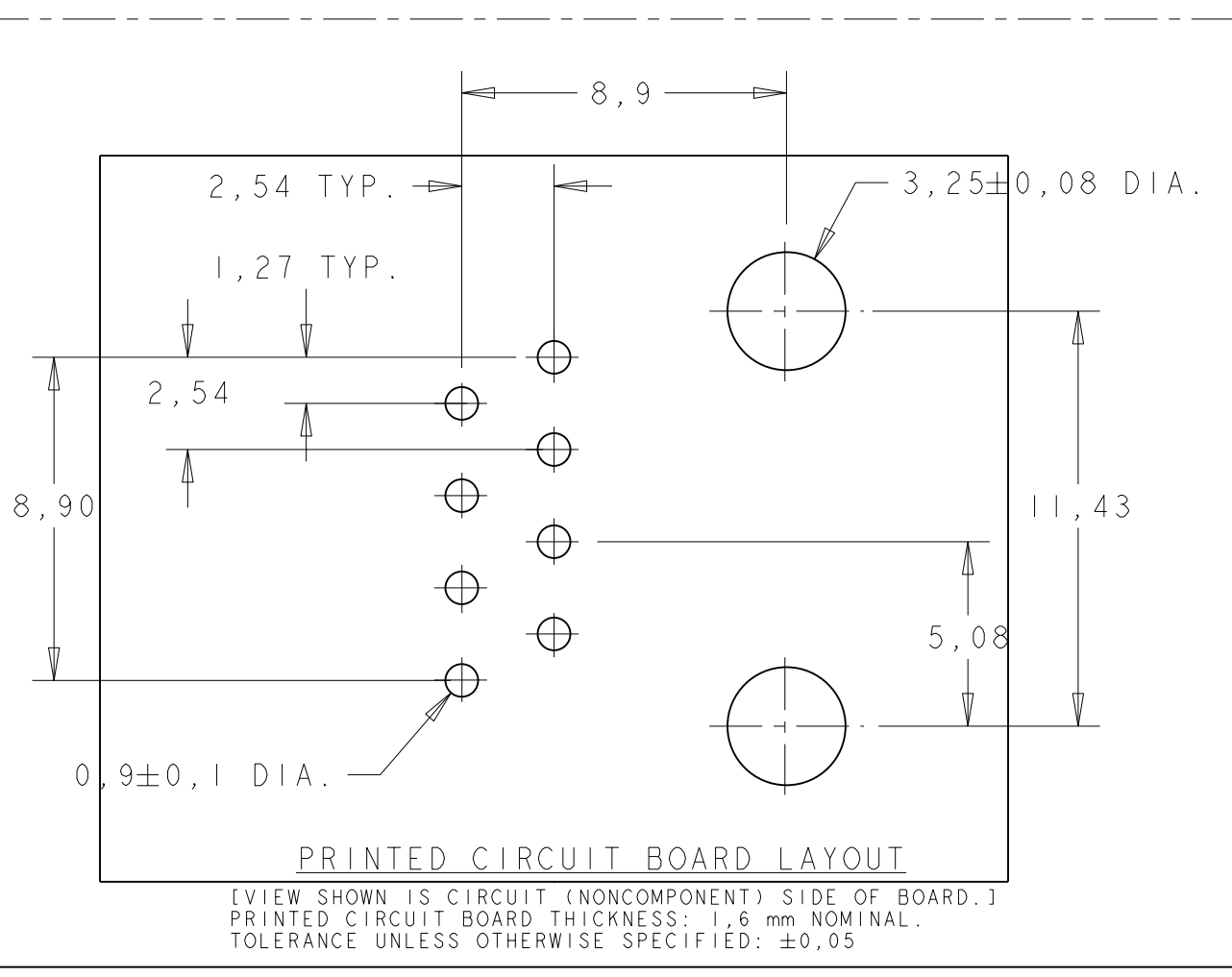
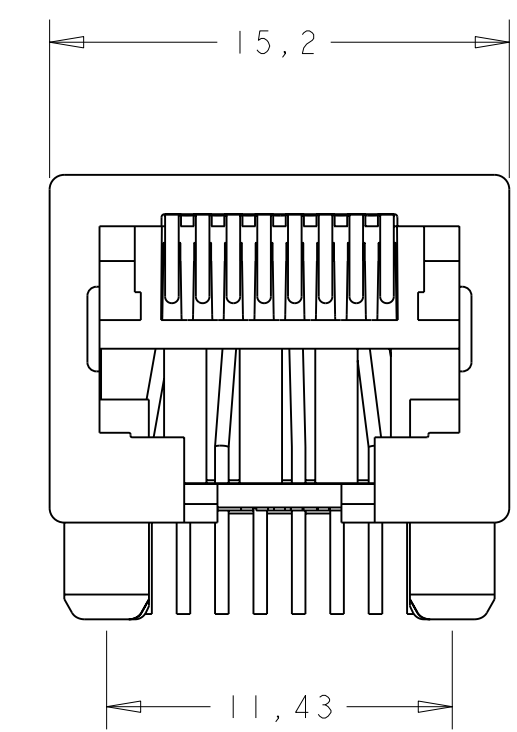
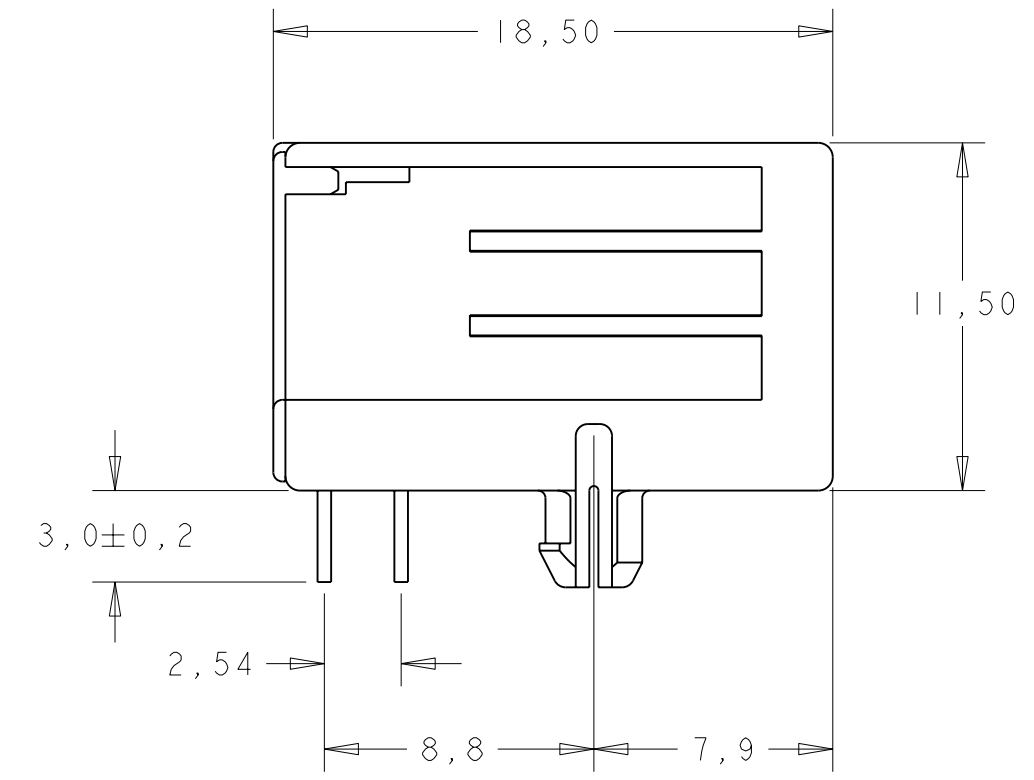
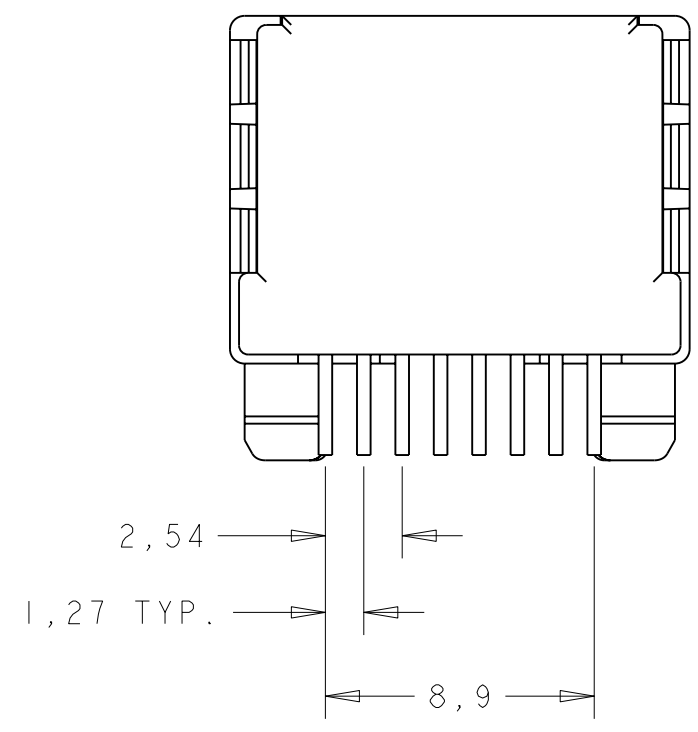
THIS DRAWING IS UNPUBLISHED. RELEASED FOR PUBLICATION
 © COPYRIGHT - ALL RIGHTS RESERVED.

LOC	DIST	REVISIONS			
P	LTR	DESCRIPTION	DATE	DWN	APVD
1R	-	SEE SHEET 1	-	-	-



NOTES:

- 1 TOLERANCE UNLESS OTHERWISE SPECIFIED: $\pm 0,15$.
- 2 FOR THIS PACKAGING METHOD THE TRUE POSITION OF THE SOLDER TINES IS NOT GUARANTEED.



PACKAGING	REMARKS	FINISH	MATERIAL	ORDER NUMBER	
1000 PIECES BULK PACKAGED				INACTIVE 5-215877-3 NOT TOOLED	
200 PIECES IN A TRAY	8 POS./ 8 CONTACTS		IN CONTACT AREA: 1,2µm MIN. SEL. GOLD OVER 1,2µm MIN. NICKEL. SOLDER TINES: 2,5µm MIN. TIN OVER 1,2µm MIN. NICKEL.	HOUSING COLOR: BLACK PBT, UL 94V-0 CONTACT INSERT: PBT, UL 94V-0 CONTACT COVER: BLACK PBT, UL 94V-0 CONTACTS: PH BRONZE	INACTIVE 5-215877-2 NOT TOOLED
TAPE MOUNTED 700 PCS./REEL				INACTIVE 5-215877-1 NOT TOOLED	

THIS DRAWING IS A CONTROLLED DOCUMENT.

DWN	E.v.Fijk	NAME	STE TE Connectivity	
CHK	M.v.Essen	PRODUCT SPEC	MODULAR JACK, 8 POS SIDE ENTRY FOR PRINTED CIRCUIT BOARD	
APVD	R.Smeets	APPLICATION SPEC	SIZE	A2
		108-19064	CAGE CODE	114-19019
		114-19019	DRAWING NO	C-215877
MATERIAL		WEIGHT	RESTRICTED TO	
			SCALE	4:1
			SHEET	2 OF 2
			REV	AF