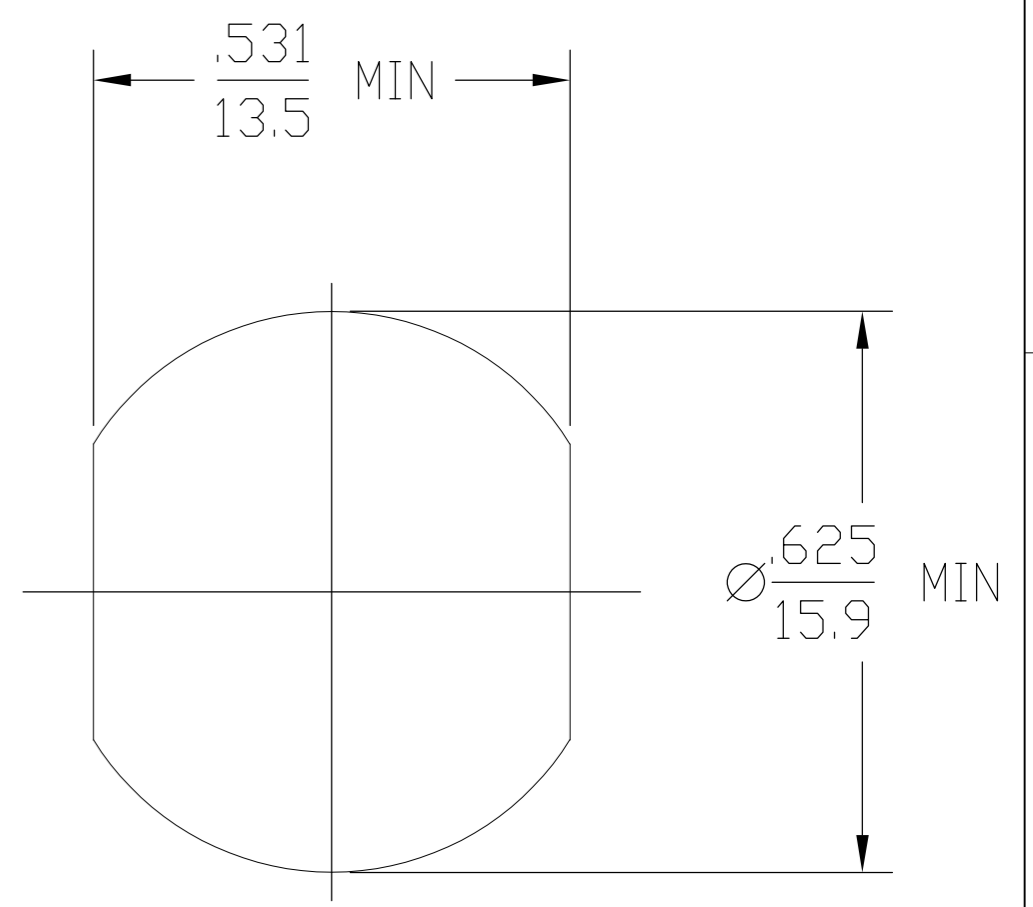
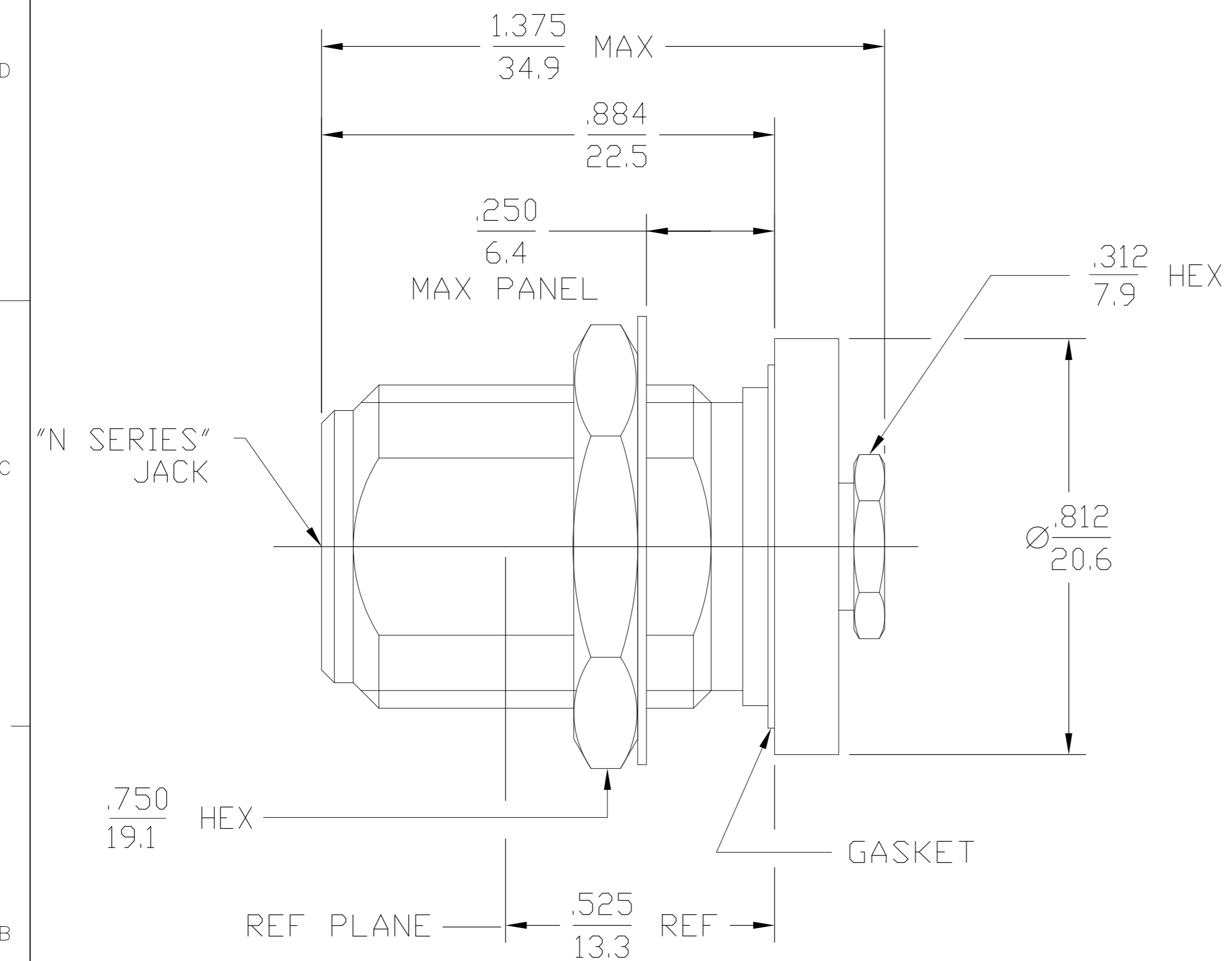


THIS DRAWING IS UNPUBLISHED. RELEASED FOR PUBLICATION
 © COPYRIGHT BY TYCO ELECTRONICS CORPORATION. ALL RIGHTS RESERVED.

DESIGNED FOR USE WITH RG-141/U	
CABLE ENTRY DIAMETER MINIMUM	
COLLAR	.122
CLAMP NUT	.220
CONTACT	.042

REVISIONS					
P	LTR	DESCRIPTION	DATE	DWN	APVD
B		REV PER ECO 07-027471	1/16/2008	DW	JL



1057138-1
PART NUMBER

COMPONENT	MATERIAL	FINISH
HOUSING	BRASS PER ASTM-B-16,	NICKEL PLATE
CLAMP NUT	HALF HARD	PER QQ-N-290
MOUNTING NUT		
DIELECTRIC	PTFE FLUOROCARBON	N/A
	PER ASTM-D-1457	
CENTER CONTACT	BRASS PER ASTM-B-16,	GOLD PLATE PER
	HALF HARD	MIL-G-45204
LOCKWASHER	PHOSPHOR BRONZE PER	NICKEL PLATE
	QQ-B-750, GRADE B2	PER QQ-N-290
	OR TIN BRASS PER	
	ASTM-B-591	
COLLAR	BRASS PER ASTM-B-16,	GOLD PLATE PER
	HALF HARD	MIL-G-45204
GASKET	SILICONE RUBBER PER	N/A
	ZZ-R-765	

THIS DRAWING IS A CONTROLLED DOCUMENT.		DWN	RR	9/25/79	Tyco Electronics Corporation Harrisburg, PA 17105-3608
DIMENSIONS: INCHES		CHK	RDS	10-1-79	
TOLERANCES UNLESS OTHERWISE SPECIFIED:		APVD	PFH	10-3-79	
0 PLC ± - 1 PLC ± - 2 PLC ± - 3 PLC ± .005 4 PLC ± - 1° ANGLES ± 1°		PRODUCT SPEC		NAME	
MATERIAL		APPLICATION SPEC		N SERIES STRAIGHT BULKHEAD FEEDTHRU CABLE JACK CLAMP ATTACHMENT (3004-7341-10)	
FINISH		WEIGHT		SIZE	
-		-		A2 00779	
		CUSTOMER DRAWING		DRAWING NO	
				C=1057138-1	
		SCALE		RESTRICTED TO	
		1:1		-	
		SHEET		REV	
		1 of 1		B	