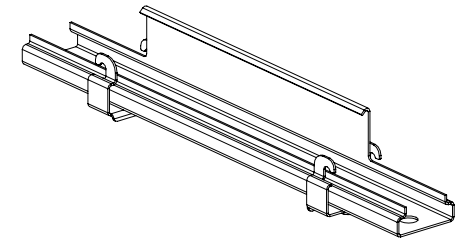
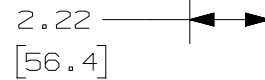
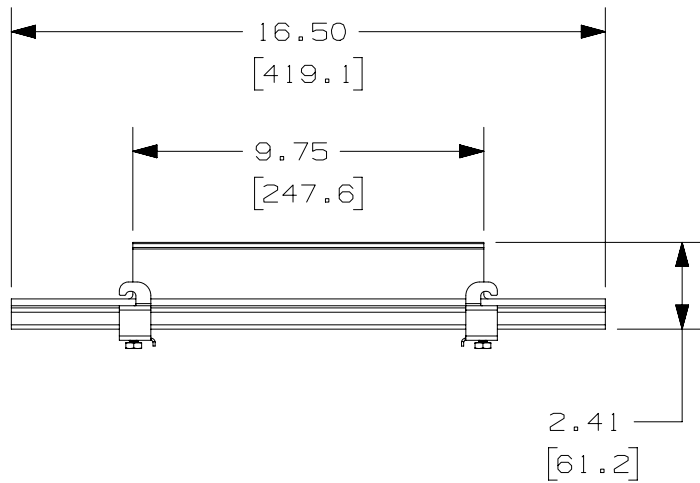
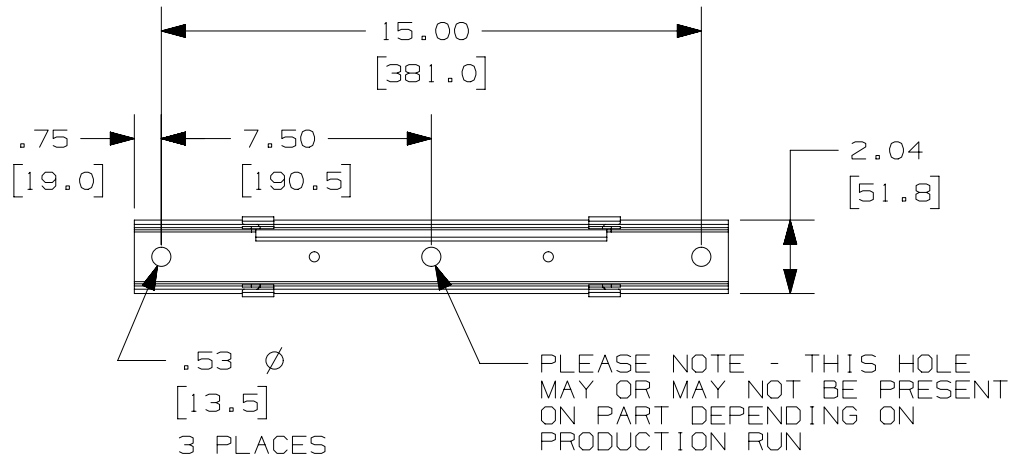


THIS COPY IS PROVIDED ON A RESTRICTED BASIS AND IS NOT TO BE USED IN ANY WAY DETRIMENTAL TO THE INTERESTS OF PANDUIT CORP.



PANDUIT PART NUMBER	WEIGHT
WGTBS12	1.53 LBS (694 g)

NOTES:

- SEE CURRENT CATALOG FOR PART NUMBER DESIGNATION FOR TYPE AND COLOR.
- EACH PACKAGE CONSISTS OF:  
 (1) WYR-GRID TRAPEZE BRACKET  
 (2) WYR-GRID TRAPEZE BRACKET CLIPS  
 (3) 1/4-20 X 3/8 HEX HEAD CAP SCREWS
- WYR-GRID TRAPEZE BRACKETS SUPPORT WYR-GRID PATHWAY SUSPENDED FROM 1/2" (M12) THREADED RODS.
- DIMENSIONS IN PARENTHESES ARE METRIC

REV	DATE	BY	CHK	APR	DESCRIPTION	ECN
01A	3-09-15	PBS	DWR		ADDED CENTER MOUNTING HOLE AND NOTE	V09000HH
R	06-17-13	SSP	DWW	RN	RELEASED TO PRODUCTION	12D345AA-DC

TITLE <b>WYR-GRID TRAPEZE BRACKET 12" (WGTBS12)</b>				CUSTOMER DRAWING	
ITEM REVISION NAME 12D345AA/01				<b>PANDUIT</b>	
DATASET FILE NAME 12D345AA_DC/01A					
UNLESS OTHERWISE SPECIFIED, DIMENSIONAL TOLERANCES ARE: IN (mm)				MATERIAL: <b>STEEL</b>	
.X ± .XX ± .05 [ 1.3 ]		.XXX ± ANGLES ±		DRAWING NUMBER: 12D345AA-DC	
DRAWN BY SSP		DATE 06-17-13		CHK DWW	
SCALE NONE		THIRD ANGLE PROJECTION		SHT 1 OF 1	
				SIZE A	