

DETAIL "D"

NOTES

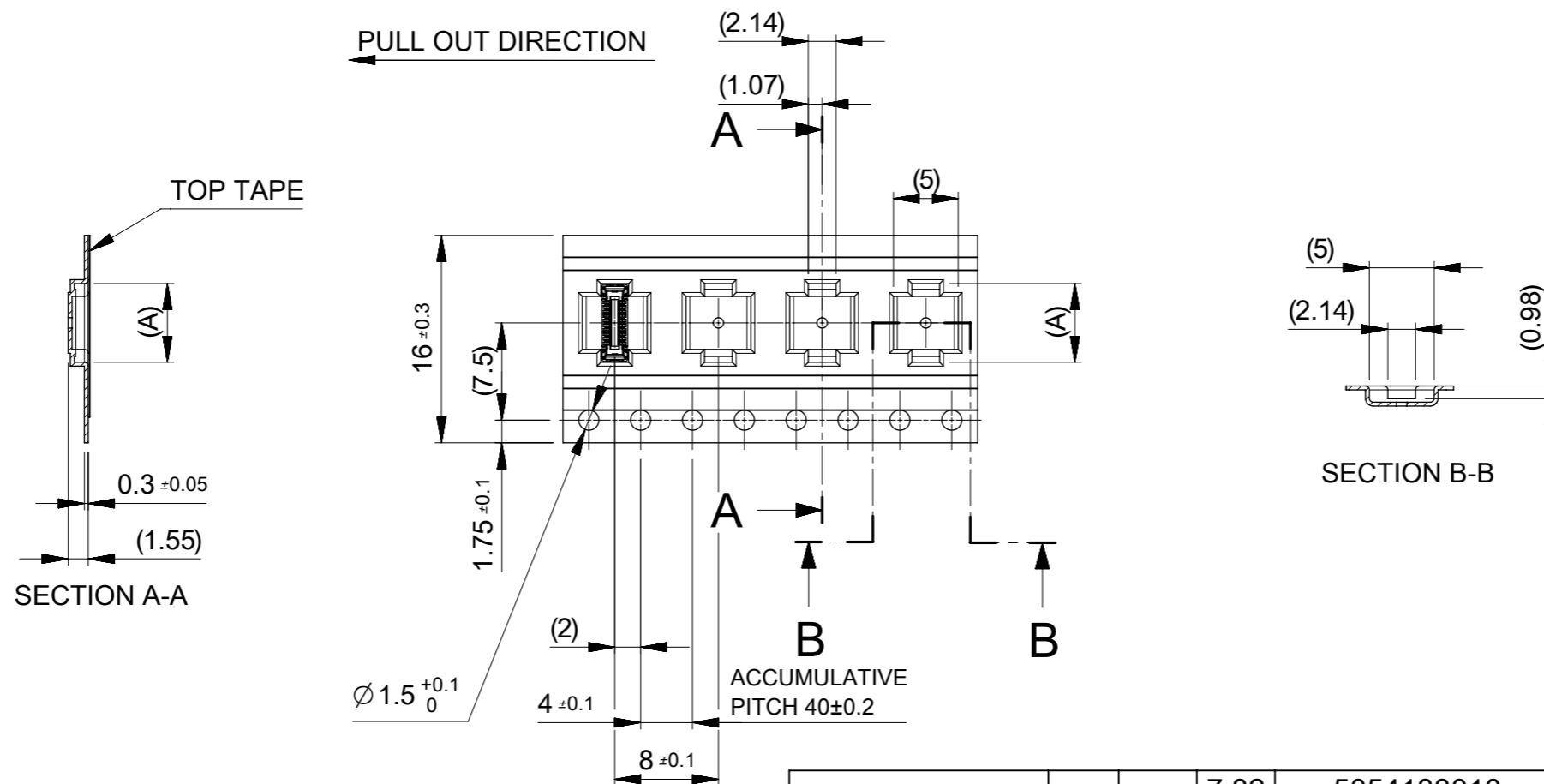
1. RE DETAILED DIMENSION, SEE PRODUCT DRAWING.
 2. NUMBER OF CONNECTORS : SEE CHART
 3. LEAD TAPE LENGTH
-
- PULL OUT DIRECTION
- 100 MIN. TOP TAPE BONDED PART (EMPTY)
- 400 MIN. COMPONENT SUPPLIER
- 160 MIN. TAIL PART (EMPTY)
4. TOP TAPE PEEL FORCE IS DEFINED BY IEC60286-3.
 5. MATERIAL
CARRIER TAPE : POLYSTYRENE
TOP TAPE : PET , OTHER
REEL : POLYSTYRENE (PS) < RECYCLE MATERIAL CONTAINED >
 6. ELV AND RoHS COMPLIANT

$\phi 330$	5000	10 ~ 70
$\phi 380$	7000	6
(D)	NUMBER OF CONNECTORS [PCS/REEL]	CIRCUIT

MODEL NO. 505413**10

THIS DRAWING CONTAINS INFORMATION THAT IS PROPRIETARY TO MOLEX ELECTRONIC TECHNOLOGIES, LLC AND SHOULD NOT BE USED WITHOUT WRITTEN PERMISSION

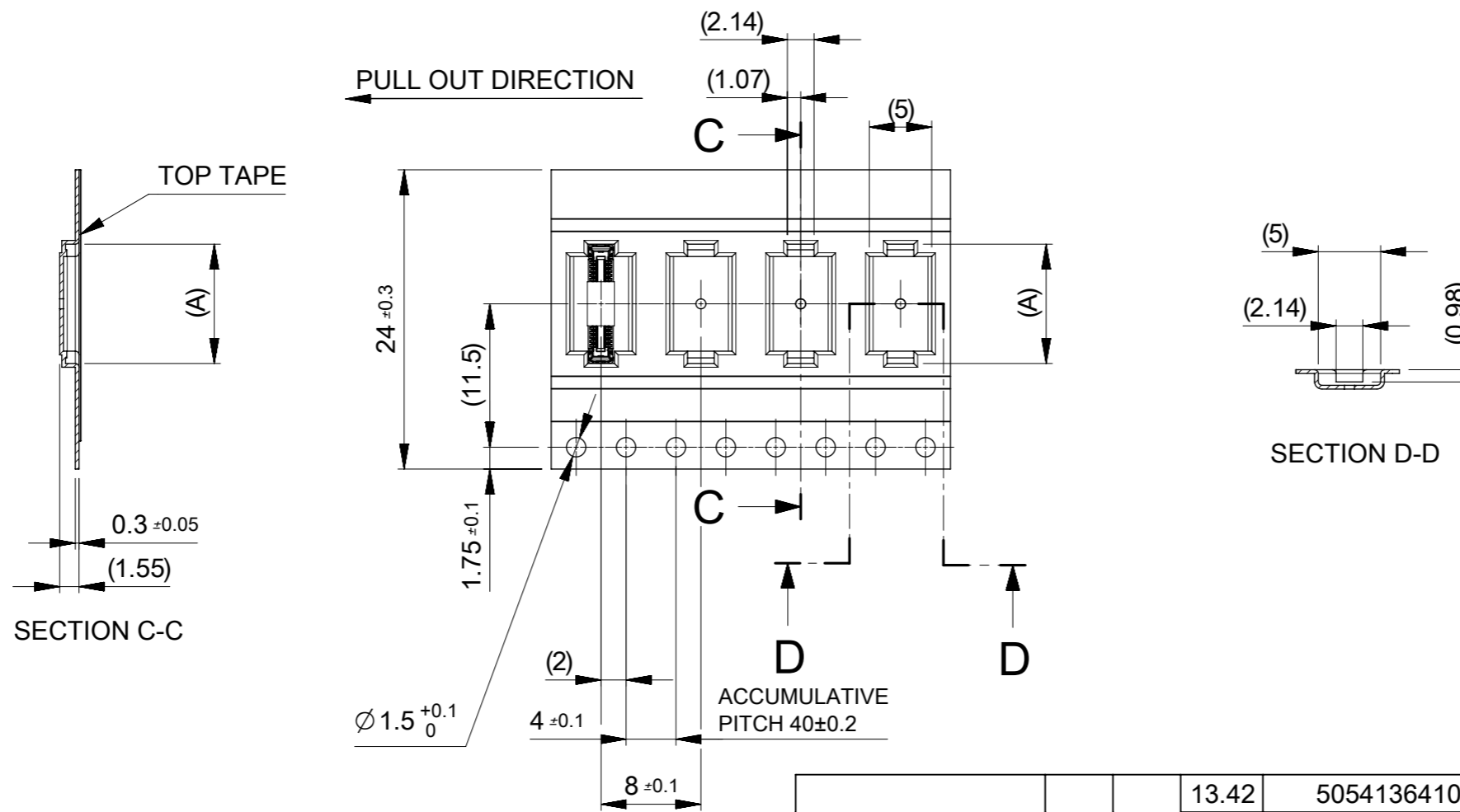
EC NO: 115378 DRWN: STSUKASHIMA CHK'D: KTANAKA03 APPR: TKUSUHARA01	2017/04/05	2017/04/07	2017/04/12	GENERAL TOLERANCES (UNLESS SPECIFIED) ANGULAR TOL $\pm 3.0^\circ$ 4 PLACES ± 0.03 3 PLACES ± 0.03 2 PLACES ± 0.05 1 PLACE ± 0.1 0 PLACES ± 0.2 DRAFT WHERE APPLICABLE MUST REMAIN WITHIN DIMENSIONS	DIMENSION UNITS	SCALE				
					MM	1:1				
					DRWN BY	DATE		HONO01	2016/03/16	
					CHK'D BY	DATE		RTAKEUCHI	2016/04/25	
					APPR BY	DATE		KMORIKAWA	2016/04/26	
					DRAWING SIZE	THIRD ANGLE PROJECTION	PRODUCT CUSTOMER DRAWING			
					A3		SERIES	MATERIAL NUMBER	CUSTOMER	
							505413	SEE CHART	GENERAL	
							DOCUMENT NUMBER	DOC TYPE	DOC PART	SHEET NUMBER
							5054130000	PSD	000	1 OF 4



16	21.4	17.4	7.82	5054133010	○	---	30
			6.77	5054132410	---	---	24
			6.42	5054132210	---	---	22
			6.07	5054132010	---	---	20
			5.72	5054131810	---	---	18
			5.37	5054131610	---	---	16
			5.02	5054131410	---	---	14
			4.67	5054131210	---	---	12
			4.32	5054131010	---	---	10
			3.62	5054130610	○	---	6
キャリアテープ幅 CARRIER TAPE WIDTH			EMBOSSED TAPE PACKAGE	HIGH VOL. TOOL	LOW VOL. TOOL	CIRCUIT	
C			B	SAMPLE PREPARATION ○:TOOLED △:WORK IN PROCESS ---:TOOLING TO BE CONFIRMED			
			ORDER NO.				

THIS DRAWING CONTAINS INFORMATION THAT IS PROPRIETARY TO MOLEX ELECTRONIC TECHNOLOGIES, LLC AND SHOULD NOT BE USED WITHOUT WRITTEN PERMISSION

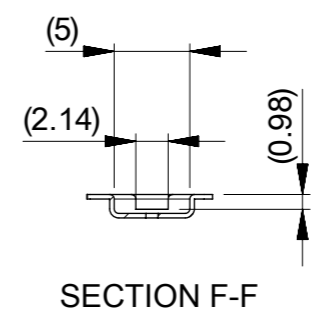
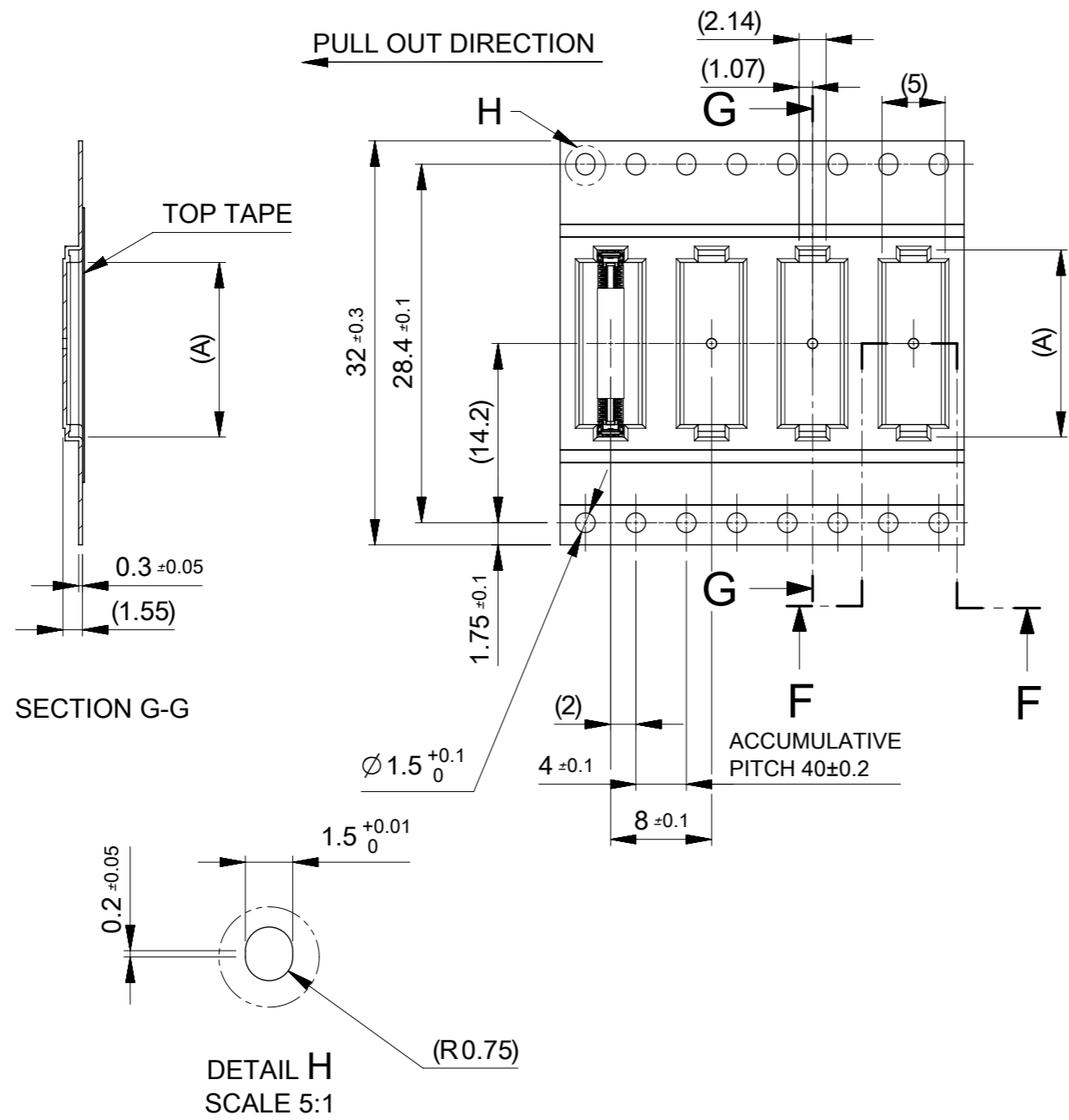
EC NO: 115378 DRWN: STSUKASHIMA CHK'D: KTANAKA03 APPR: TKUSUHARA01	2017/04/05	GENERAL TOLERANCES (UNLESS SPECIFIED)		DIMENSION UNITS	SCALE					
	2017/04/07	ANGULAR TOL ± 3.0 °		MM	2:1					
	2017/04/12	4 PLACES	± 0.03	DRWN BY	DATE					
		3 PLACES	± 0.03	HONO01	2016/03/16					
		2 PLACES	± 0.05	CHK'D BY	DATE					
		1 PLACE	± 0.1	RTAKEUCHI	2016/04/25					
		0 PLACES	± 0.2	APPR BY	DATE					
				KMORIKAWA	2016/04/26					
		DRAFT WHERE APPLICABLE MUST REMAIN WITHIN DIMENSIONS		DRAWING SIZE	THIRD ANGLE PROJECTION	PRODUCT CUSTOMER DRAWING				
				A3		SERIES	MATERIAL NUMBER	CUSTOMER		
						505413	SEE CHART	GENERAL		
						DOCUMENT NUMBER		DOC TYPE	DOC PART	SHEET NUMBER
						5054130000		PSD	000	2 OF 4



24	29.4	25.4	13.42	5054136410	---	---	64
			12.72	5054136010	○	---	60
			12.02	5054135410	---	---	54
			11.32	5054135010	---	---	50
			10.97	5054134810	---	---	48
			10.62	5054134610	---	---	46
			9.92	5054134210	---	---	42
			9.57	5054134010	○	---	40
8.52	5054133410	○	---	34			
キャリアテープ幅 CARRIER TAPE WIDTH	C	B	(A)	EMBOSSED TAPE PACKAGE	HIGH VOL. TOOL	LOW VOL. TOOL	CIRCUIT
				ORDER NO.	SAMPLE PREPARATION ○:TOOLED △:WORK IN PROCESS ---:TOOLING TO BE CONFIRMED		

THIS DRAWING CONTAINS INFORMATION THAT IS PROPRIETARY TO MOLEX ELECTRONIC TECHNOLOGIES, LLC AND SHOULD NOT BE USED WITHOUT WRITTEN PERMISSION

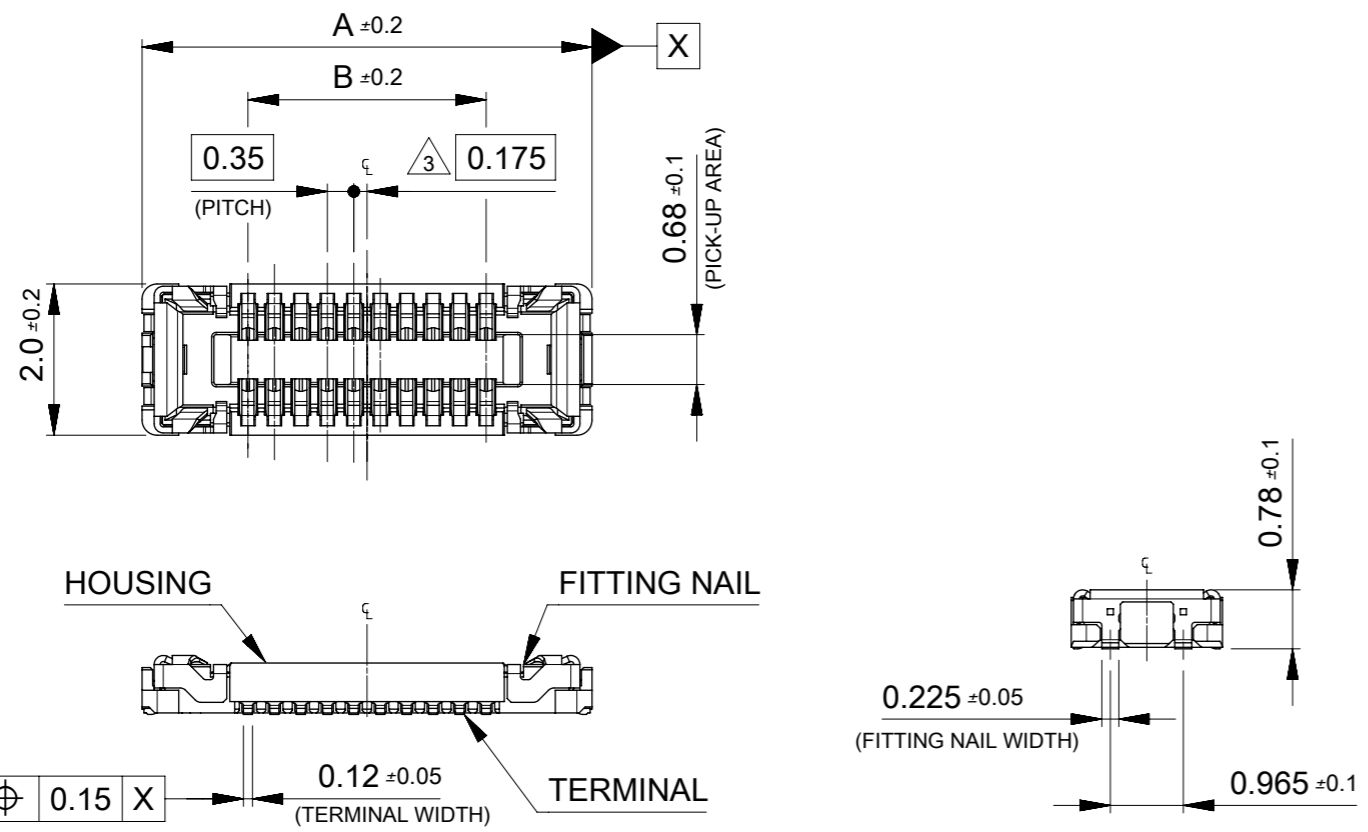
EC NO: 115378 DRWN: STSUKASHIMA CHK'D: KTANAKA03 APPR: TKUSUHARA01	2017/04/05	GENERAL TOLERANCES (UNLESS SPECIFIED)		DIMENSION UNITS	SCALE				
	2017/04/07	ANGULAR TOL ± 3.0 °		MM	2:1				
	2017/04/12	4 PLACES	± 0.03	DRWN BY	DATE				
		3 PLACES	± 0.03	HONO01	2016/03/16				
		2 PLACES	± 0.05	CHK'D BY	DATE				
	1 PLACE	± 0.1	RTAKEUCHI	2016/04/25					
	0 PLACES	± 0.2	APPR BY	DATE					
			KMORIKAWA	2016/04/26					
			DRAFT WHERE APPLICABLE MUST REMAIN WITHIN DIMENSIONS	DRAWING SIZE	THIRD ANGLE PROJECTION	PRODUCT CUSTOMER DRAWING			
				A3		SERIES	MATERIAL NUMBER	CUSTOMER	
						505413	SEE CHART	GENERAL	
						DOCUMENT NUMBER	DOC TYPE	DOC PART	SHEET NUMBER
						5054130000	PSD	000	3 OF 4



32	37.4	33.4	14.82	5054137010	---	---	70
キャリアテープ幅 CARRIER TAPE WIDTH	C	B	(A)	EMBOSSED TAPE PACKAGE	HIGH VOL. TOOL	LOW VOL. TOOL	CIRCUIT
				ORDER NO.	SAMPLE PREPARATION ○:TOOLED △:WORK IN PROCESS ---:TOOLING TO BE CONFIRMED		

THIS DRAWING CONTAINS INFORMATION THAT IS PROPRIETARY TO MOLEX ELECTRONIC TECHNOLOGIES, LLC AND SHOULD NOT BE USED WITHOUT WRITTEN PERMISSION

EC NO: 115378 DRWN: STSUKASHIMA CHK'D: KTANAKA03 APPR: TKUSUHARA01	2017/04/05	GENERAL TOLERANCES (UNLESS SPECIFIED)		DIMENSION UNITS	SCALE				
	2017/04/07	ANGULAR TOL ± 3.0 °		MM	2:1				
	2017/04/12	4 PLACES ± 0.03	3 PLACES ± 0.03	DRWN BY	DATE				
	2 PLACES ± 0.05	1 PLACE ± 0.1	0 PLACES ± 0.2	HONO01	2016/03/16				
				CHK'D BY	DATE	0.35 BB H=1.0 SSB10RP REC EMBSTP PKG			
				RTAKEUCHI	2016/04/25				
				APPR BY	DATE	PRODUCT CUSTOMER DRAWING			
				KMORIKAWA	2016/04/26	SERIES	MATERIAL NUMBER	CUSTOMER	
						505413	SEE CHART	GENERAL	
						DOCUMENT NUMBER	DOC TYPE	DOC PART	SHEET NUMBER
						5054130000	PSD	000	4 OF 4



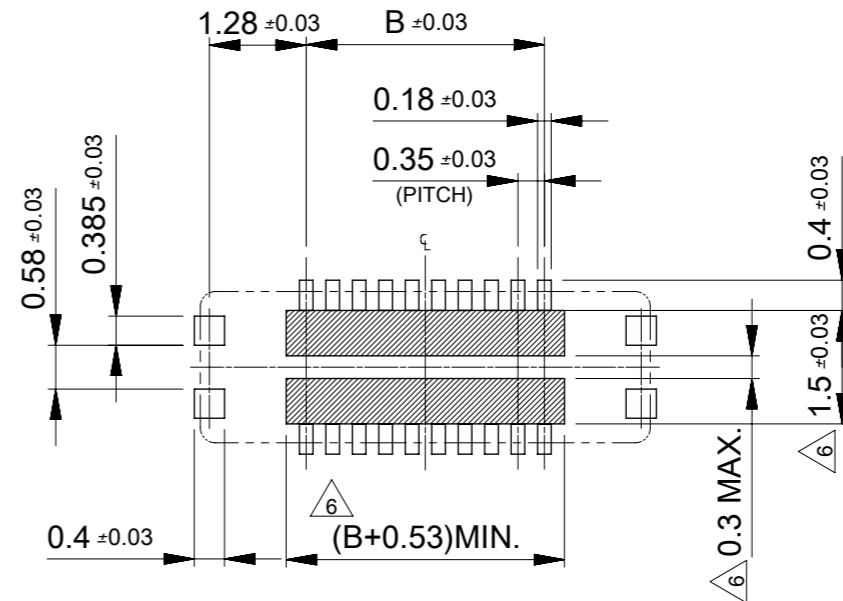
NOTES

1. MATERIAL
HOUSING : LIQUID CRYSTAL POLYMER UL94V-0(COLOR : BLACK)
TERMINAL : COPPER ALLOY
FITTING NAIL : COPPER ALLOY
2. PLATING
TERMINAL :
GOLD
UNDER PLATING : NICKEL
*DIVIDE INTO PARTS THE GOLD PLATING OF THE CONTACT AND THE TAIL PART BY THE NICKEL PLATING.
- FITTING NAIL :
GOLD(ONLY CONTACT AND TAIL PART)
UNDER PLATING : NICKEL
- △₃ APPLY FOR (CIRCUIT/2)=EVEN
4. MATE WITH : 505417**10
5. TAIL AND FITTING NAIL COPLANARITY TO BE 0.08MAXIMUM.
- △₆ PROHIBITED AREA OF PATTERN WIRING AND SOLDER.
(FOR EACH AREA, THE WIRING THAT TOUCHES ON THE SOLDER CAN BE ATTACHED, THEN COVERED WITH A FILM TO KEEP SOLDER OUT.)
7. ELV and RoHS COMPLIANT.

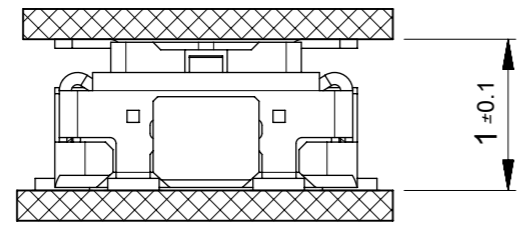
11.90	14.70	5054137010	---	---	70
10.85	13.65	5054136410	---	---	64
10.15	12.95	5054136010	○	---	60
9.10	11.90	5054135410	---	---	54
8.40	11.20	5054135010	---	---	50
8.05	10.85	5054134810	---	---	48
7.70	10.50	5054134610	---	---	46
7.00	9.80	5054134210	---	---	42
6.65	9.45	5054134010	○	---	40
5.60	8.40	5054133410	○	---	34
4.90	7.70	5054133010	○	---	30
3.85	6.65	5054132410	---	---	24
3.50	6.30	5054132210	---	---	22
3.15	5.95	5054132010	---	---	20
2.80	5.60	5054131810	---	---	18
2.45	5.25	5054131610	---	---	16
2.10	4.90	5054131410	○	---	14
1.75	4.55	5054131210	---	---	12
1.40	4.20	5054131010	---	---	10
0.70	3.50	5054130610	○	---	6

B	A	EMBOSSED TAPE PACKAGE	MASS PRODUCTION	LOW VOL.TOOL	CIRCUIT
		ORDER No.	SMAPLE PREPARATION ○:TOOLED △:WORK IN PROCESS ---:TOOLING TO BE CONFIRMED		
		CONNECTOR SERIES No. : 505413**09			

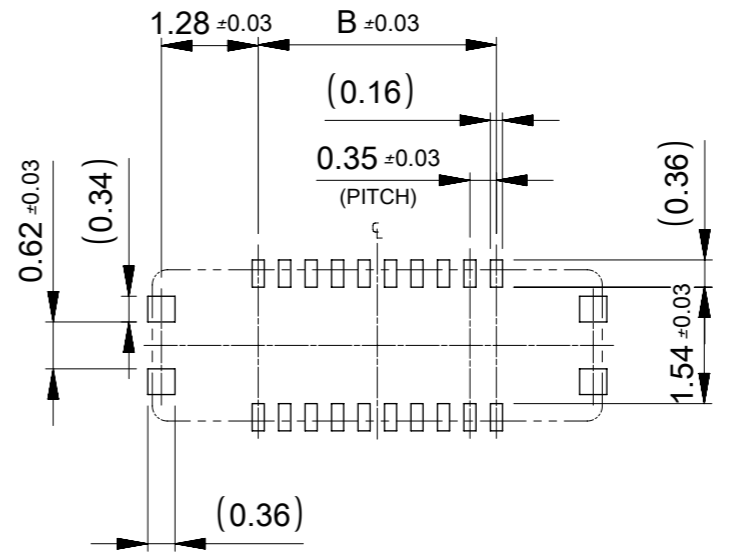
THIS DRAWING CONTAINS INFORMATION THAT IS PROPRIETARY TO MOLEX ELECTRONIC TECHNOLOGIES, LLC AND SHOULD NOT BE USED WITHOUT WRITTEN PERMISSION		CURRENT REV DESC:		molex	
DIMENSION UNITS	SCALE	EC NO: 601150			
mm	10:1	DRWN: RMIYAMOTO 2018/07/09		PRODUCT CUSTOMER DRAWING	
GENERAL TOLERANCES (UNLESS SPECIFIED)		CHK'D: KSASAKI 2018/07/09		DOCUMENT NUMBER	
ANGULAR TOL	± 3.0°	APPR: TKUSUHARA01 2018/07/10		5054131000	
4 PLACES	± 0.03	INITIAL REVISION:		DOC TYPE	DOC PART
3 PLACES	± 0.03	DRWN: HONO01 2016/04/25		PSD	000
2 PLACES	± 0.05	APPR: KMORIKAWA 2016/04/26		REVISION	E
1 PLACE	± 0.1	DRAFT WHERE APPLICABLE MUST REMAIN WITHIN DIMENSIONS		SHEET NUMBER	
0 PLACES	± 0.2	THIRD ANGLE PROJECTION	DRAWING	SERIES	MATERIAL NUMBER
		⊕	A3-SIZE	505413	SEE CHART
		CUSTOMER		GENERAL	



RECOMMENDED P.W.BOARD PATTERN LAYOUT (REFERENCE)



MATED CONDITION



RECOMMENDED METAL MASK LAYOUT (REFERENCE)

RECOMMENDED THICKNESS OF METAL MASK : t=0.08mm
 RECOMMENDED OPEN APERTURE RATIO OF METAL MASK : 80%

THIS DRAWING CONTAINS INFORMATION THAT IS PROPRIETARY TO MOLEX ELECTRONIC TECHNOLOGIES, LLC AND SHOULD NOT BE USED WITHOUT WRITTEN PERMISSION									
DIMENSION UNITS		SCALE		CURRENT REV DESC:					
mm		10:1							
GENERAL TOLERANCES (UNLESS SPECIFIED)				EC NO: 601150				0.35 BB CONN. H=1.0 SSB10RP REC. ASSY	
ANGULAR TOL ± 3.0°				DRWN: RMIYAMOTO 2018/07/09				PRODUCT CUSTOMER DRAWING	
4 PLACES ± 0.03				CHK'D: KSASAKI 2018/07/09				DOCUMENT NUMBER	
3 PLACES ± 0.03				APPR: TKUSUHARA01 2018/07/10				5054131000	
2 PLACES ± 0.05				INITIAL REVISION:				DOC TYPE	
1 PLACE ± 0.1				DRWN: HONO01 2016/04/25				PSD	
0 PLACES ± 0.2				APPR: KMORIKAWA 2016/04/26				DOC PART	
DRAFT WHERE APPLICABLE MUST REMAIN WITHIN DIMENSIONS				THIRD ANGLE PROJECTION		DRAWING		REVISION	
						A3-SIZE		E	
				SERIES		MATERIAL NUMBER		SHEET NUMBER	
				505413		SEE CHART		2 OF 2	
				CUSTOMER		GENERAL			