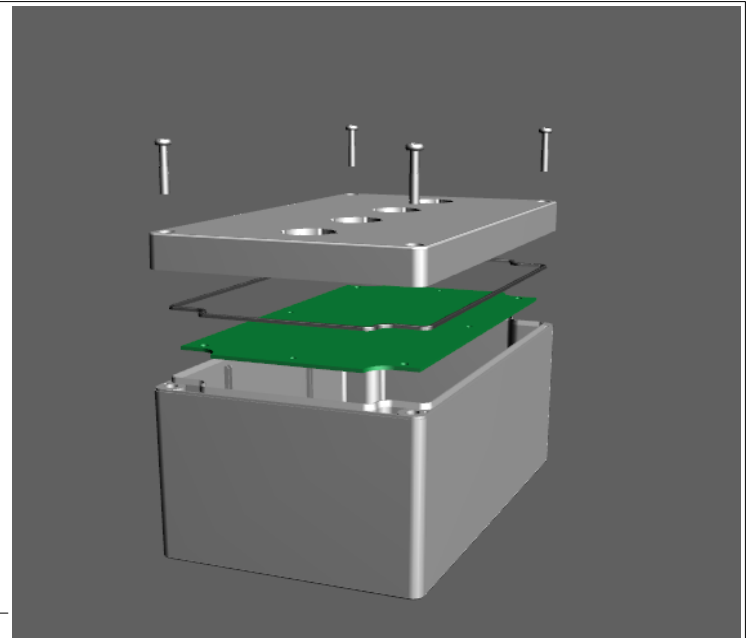


SECTION A-A

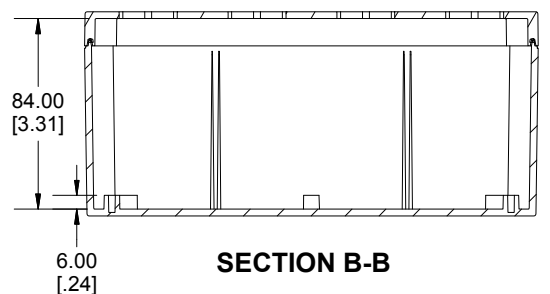


POLYCARBONATE
VERSION ONLY

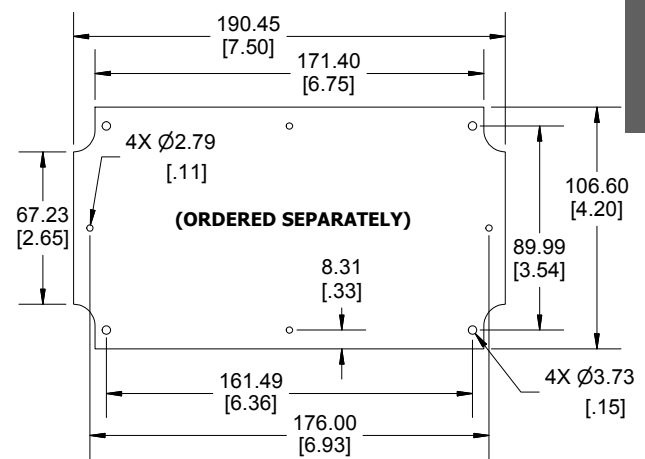
 US LISTED
FILE #E65324
NEMA 4, 4X

**SEE ENCLOSURE 1554U
FOR MORE DETAIL**

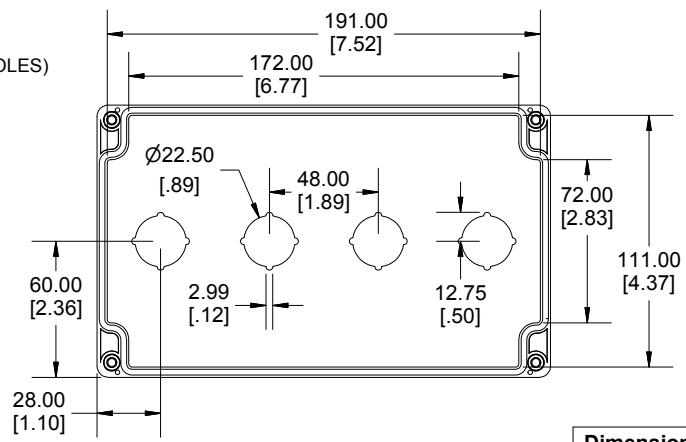
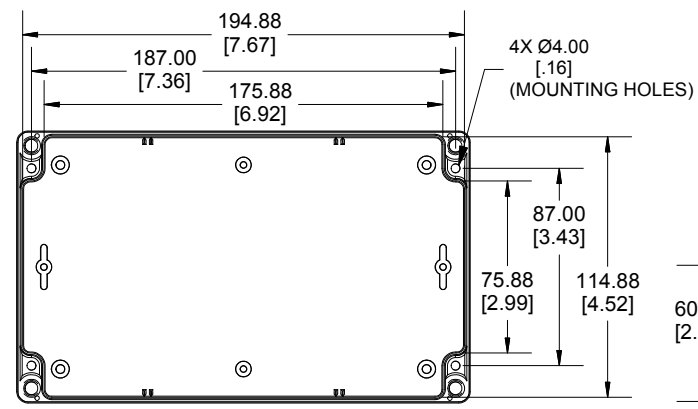
Enclosures can be Factory Modified (Milling, Drilling, Printing etc.)
Contact Factory mjm@hammondmfg.com for quotes
Solid models of this enclosure available in STEP or IGES.
(Part number and text placement/orientation on our products are subject to change,
we do not recommend using them as a locating reference for modification purposes)



SECTION B-B



(ORDERED SEPARATELY)



NOTE

Purchased assembly includes box, lid, 4 cover screws, and preformed silicone gasket.
Polycarbonate version is UL 508 approved. (Matl UL94 - 5VA @ 3mm)
Lid accepts 22.5mm push buttons

Recommended Cover screw torque -- 2.5 lbf-in (30 cN-m)

1554MPB	
1554MPB Enclosure	
Polycarbonate RAL-7035	1554MPB4
ACCESSORIES	
Steel Inner Panels	1554UPL
Steel Panel / P.C. Board Machine Screw [M3 x 8mm Plated]	1591MM100
Steel Panel / P.C. Board Self Tapping Screw [#6 X 1/4" (6.4mm) Plated]	1598ATS100
Cover Screws (Pkg 4) [M4 X 20mm Stainless Steel]	SC1554



1554MPB4
www.hammondmfg.com

Dimensions:
mm
[inches]