

THIS DRAWING IS UNPUBLISHED. RELEASED FOR PUBLICATION
 © COPYRIGHT BY TYCO ELECTRONICS CORPORATION. ALL RIGHTS RESERVED.

LOC		DIST		REVISIONS			
P	LTR	DESCRIPTION		DATE	DWN	APVD	
	A	REVISED PER ECO-07-029644		1/11/08	SS	MW	

SPECIFICATIONS:

MATERIALS:

CASE: THERMOSET.
 ACTUATOR BUTTON: THERMOPLASTIC. COLOR: SEE CHART.
 MOVING CONTACT: COPPER ALLOY, SILVER PLATE.
 FIXED CONTACT: COPPER ALLOY, SILVER PLATE.
 TERMINALS: COPPER ALLOY, SILVER PLATE.
 TERMINAL SEAL: EPOXY.

ELECTRICAL:

CONTACT RATING: 0.5 AMPS AT 125 VAC.
 INITIAL CONTACT RESISTANCE: 100 MILLIOHMS.
 INSULATION RESISTANCE: 1,000 MEGOHMS MIN.
 DIELECTRIC STRENGTH: 1000V RMS AT SEA LEVEL.
 LIFE EXPECTANCY: 10,000 CYCLES.

MECHANICAL:

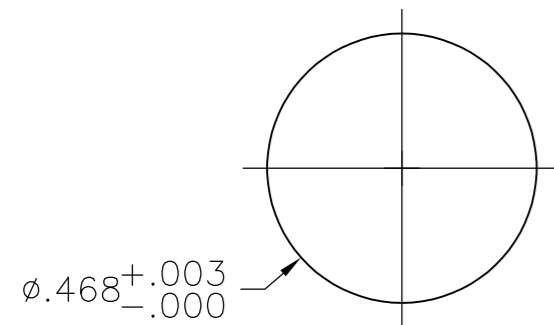
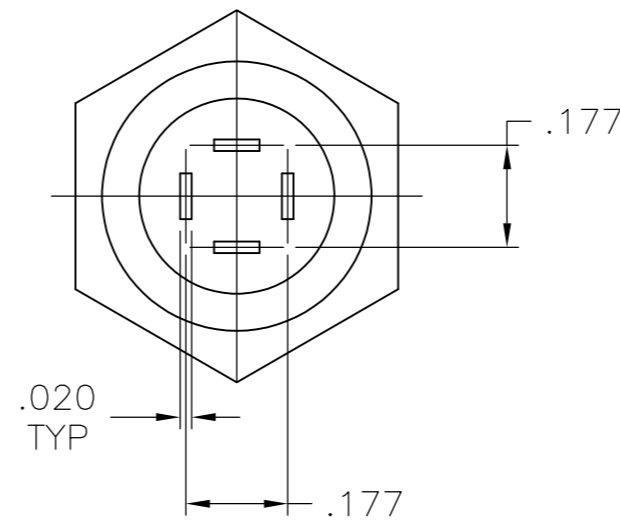
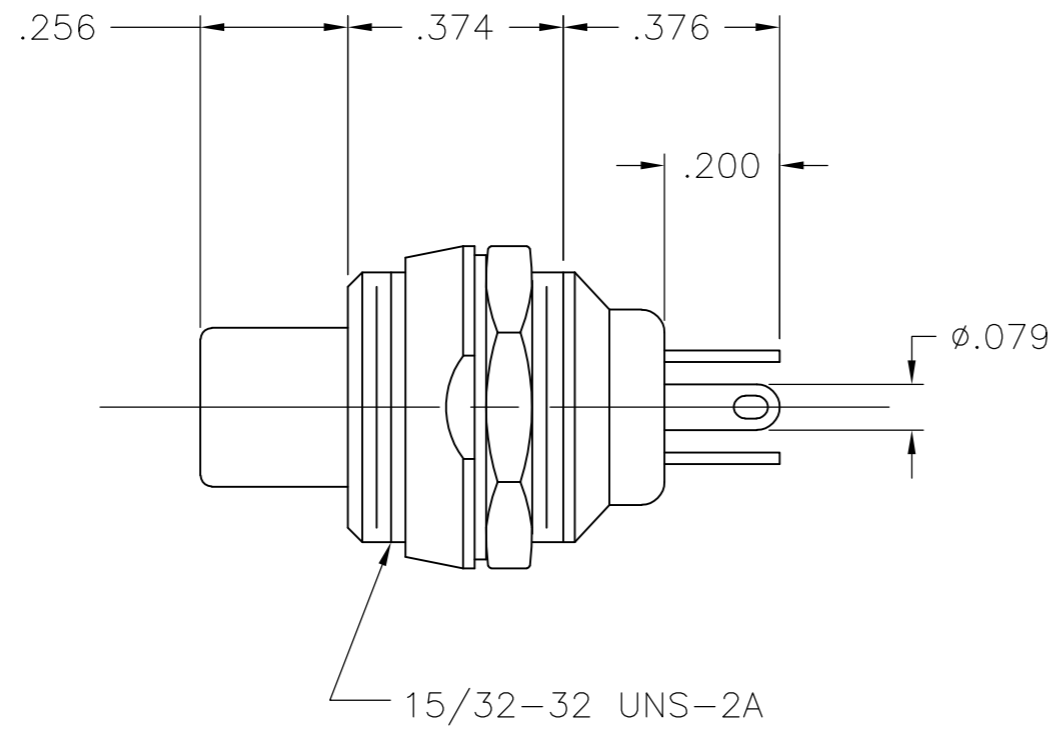
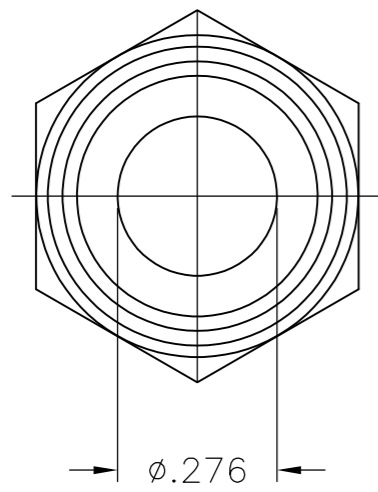
ACTUATION TRAVEL: .098.

ENVIRONMENTAL:

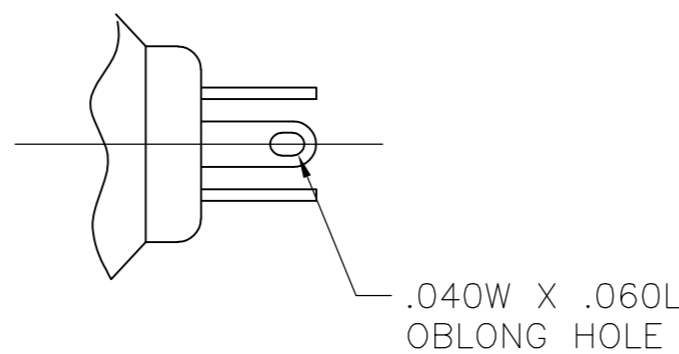
OPERATING TEMPERATURE: -4°F TO +176°F (-20°C TO +80°C).
 STORAGE TEMPERATURE: -4°F TO +176°F (-20°C TO +80°C).

NOTES:

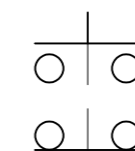
- INTERPRET DRAWING PER ASME Y14.5M-1994.
- SUPPLIED WITH MOUNTING HARDWARE:
 (1) WASHER
 (1) N-35 DECORATIVE NUT
 (1) HEX NUT.
- RECOMMENDED HAND SOLDER TEMP. OF 420C FOR 5 SECONDS.



RECOMMENDED PANEL CUTOUT



TERMINAL DETAIL



NORMALLY OPEN / NORMALLY CLOSED

CIRCUIT DIAGRAM

NORMALLY OPEN / NORMALLY CLOSED	2 CKT	WHITE	MSPF-101BC-9	9-1437567-2
NORMALLY OPEN / NORMALLY CLOSED	2 CKT	BLUE	MSPF-101BC-6	9-1437567-1
NORMALLY OPEN / NORMALLY CLOSED	2 CKT	RED	MSPF-101BC-2	9-1437567-0
NORMALLY OPEN / NORMALLY CLOSED	2 CKT	BLACK	MSPF-101BC-0	8-1437567-9
ACTION	TYPE	ACTUATOR COLOR	MODEL NO.	PART NUMBER

THIS DRAWING IS A CONTROLLED DOCUMENT.		DWN	S	SCHLEGEL	11JAN2008	Tyco Electronics Corporation Harrisburg, PA 17105-3608
DIMENSIONS: INCHES		CHK	M	WILBOURN	1/16/08	
TOLERANCES UNLESS OTHERWISE SPECIFIED:		APVD	M	WILBOURN	1/16/08	
0 PLC ± - 1 PLC ± - 2 PLC ± - 3 PLC ± .010 4 PLC ± - ANGLES ± 1°		NAME		PUSH BUTTON MOMENTARY (MSPF-101BC SERIES)		
MATERIAL	FINISH	WEIGHT	SIZE	CAGE CODE	DRAWING NO.	RESTRICTED TO
-	-	-	A2	00779	9-1437567-1	-
CUSTOMER DRAWING			SCALE	N.T.S.	SHEET	1 OF 1
			REV	A		