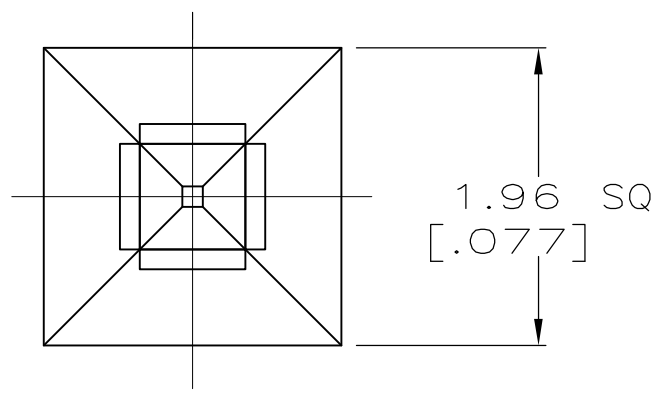
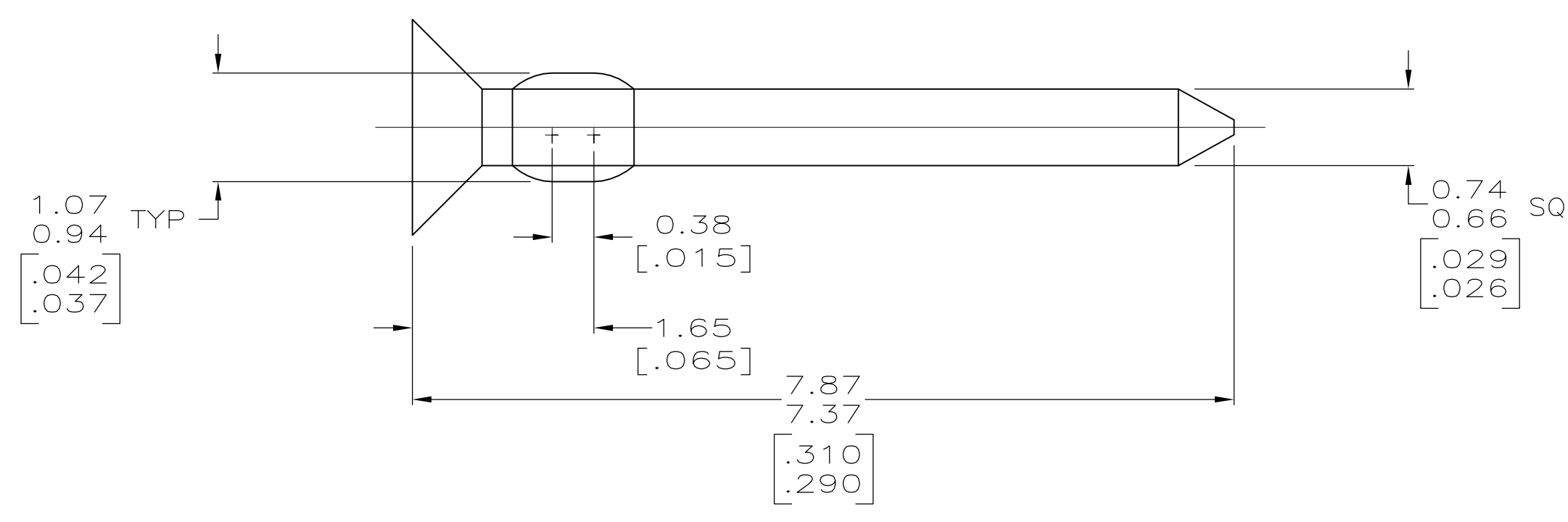
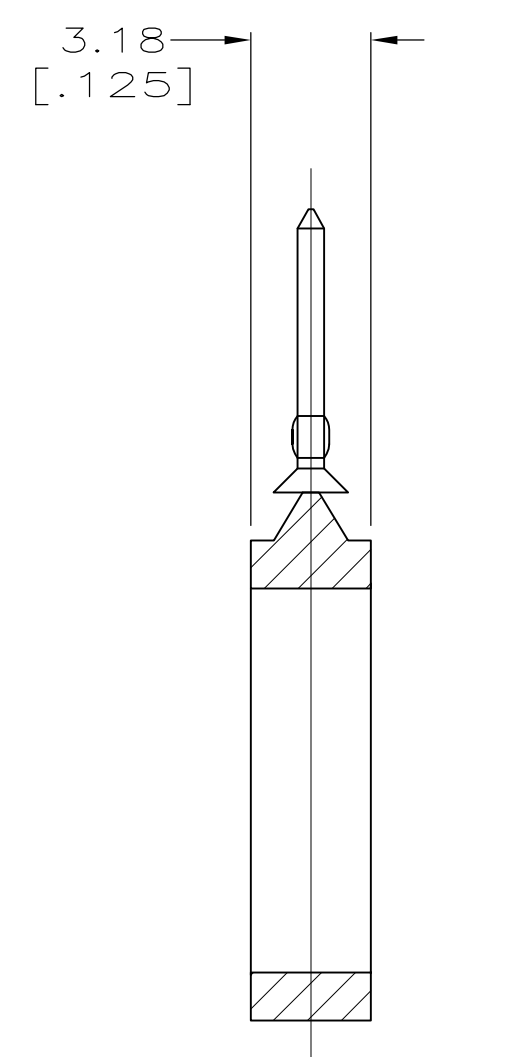


LOC		DIST		REVISIONS			
CM	00	P	LTR	DESCRIPTION	DATE	DWN	APVD
		D2		REVISED PER ECO-11-004820	11MAR11	RK	HMR

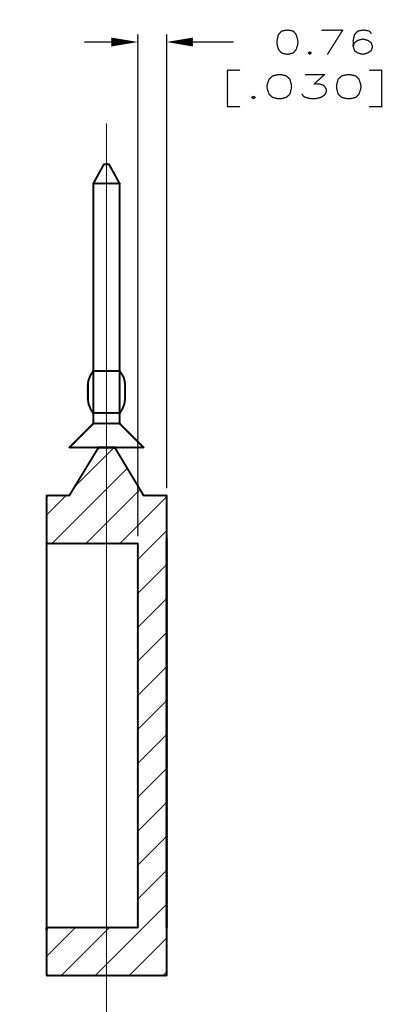
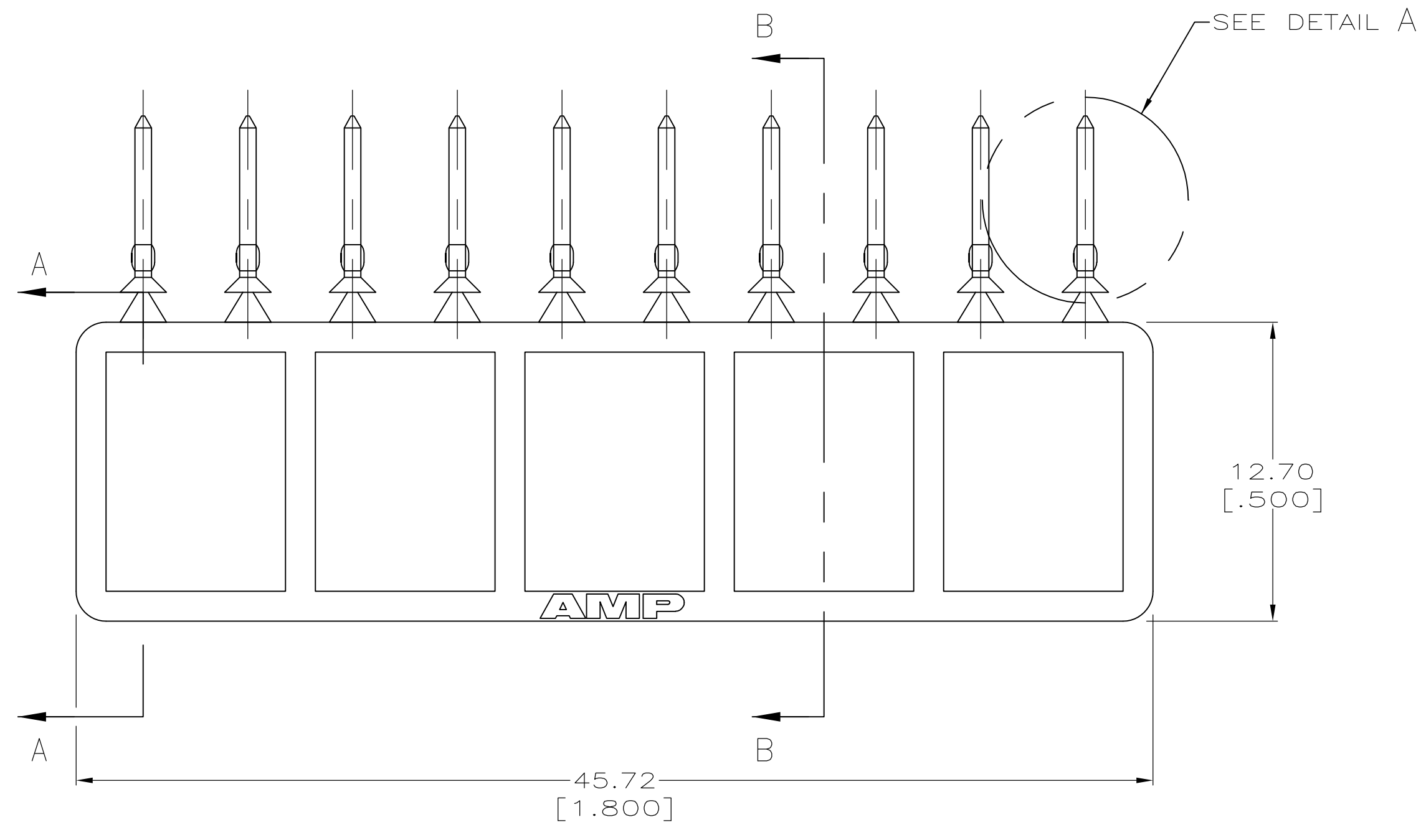
1. DIMENSIONS IN BRACKETS ARE IN INCHES.
2. NOTE ONE STRIP IS ORDERED AS 10 PIECES OF 641994-1.
3. MISALIGNMENT OF KEYING PLUGS ON CARRIER STRIP IS ALLOWABLE. KEYING PLUGS MUST REMAIN ATTACHED TO CARRIER.



DETAIL A
SCALE 20:1
ROTATED 90° CW



SECTION A-A



SECTION B-B
OPTIONAL CONSTRUCTION
2 PLC

641994-1
PART NUMBER

METRIC

THIS DRAWING IS A CONTROLLED DOCUMENT.		DWN K. WHITAKER 12SEP2005	STE TE Connectivity	
DIMENSIONS: mm [INCHES]		CHK J. ELLIS 12SEP2005	NAME KEYING PLUG WITH CARRIER STRIP, MTA 100	
TOLERANCES UNLESS OTHERWISE SPECIFIED:		APVD J. ELLIS 12SEP2005	PRODUCT SPEC	
0. PLC ± -		APPLICATION SPEC		
1. PLC ± -		SIZE		
2. PLC ± -		CAGE CODE		
3. PLC ± 0.13 [.005]		DRAWING NO		
4. PLC ± -		RESTRICTED TO		
ANGLES ± -		WEIGHT		
MATERIAL NYLON, 6/6		FINISH		
		A1 00779 C=641994		
		CUSTOMER DRAWING		
		SCALE 5:1 SHEET 1 OF 1 REV D2		