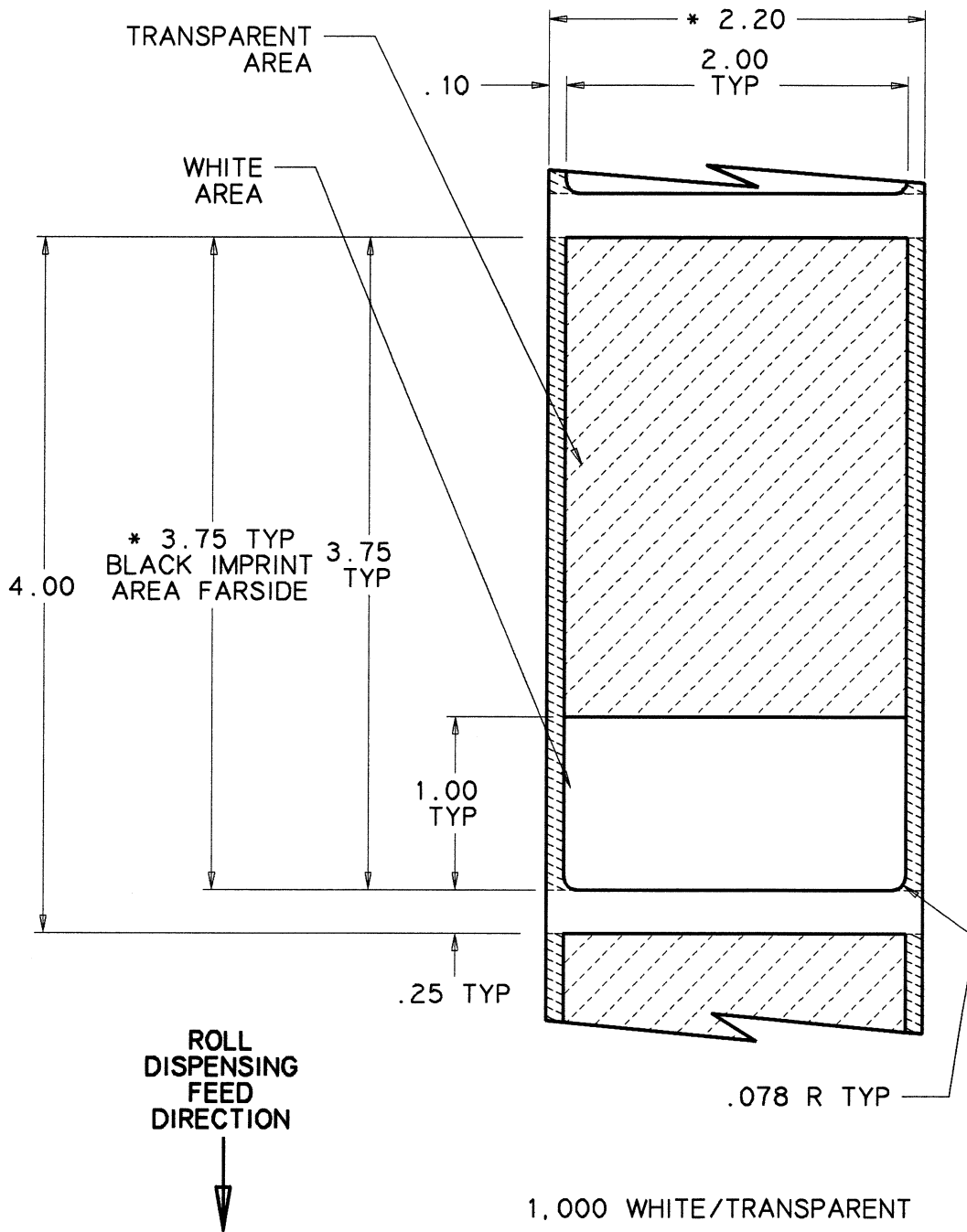


name	date	city, state

NOTES

* DIMENSIONS FOR FAR SIDE OF RELEASE LINER



1,000 WHITE/TRANSPARENT LABELS PER ROLL
1 ACROSS ON A 3" CORE

REVISION	level	A
	by	AAM
	date	11/25/98
	ECN #	000944
	part level	A

DIMENSIONS	.XXXX =	
	.XXX = ±	.010
	.XX = ±	.01
	.X =	
	∠ =	
unless otherwise specified		
units	inches	

PART	number	TAG6T1-100B	phase	PRODUCTION
	name	TAG6T1-100B THERMAL TRANSFER SELF-LAMINATING LABEL		
	material	100 CLEAR VINYL ON 50 LB LINER		

DRAWING	FORMAT	AV version J	CAD	PD	scale	1X
	computer file number	LA\DTL\3002114A				
	previous number					
	drawn	A. A. M.	checked	12/9/98	approved	
	date	11/25/98				
type	DETAIL		sheet 1 of 1			
number	LA3002114DTL					