

**LG90E**

**900 MHz  
Wireless  
Ethernet  
Gateway**

- **900 MHz FHSS DNT90/Ethernet Gateway**
- **Optional 128-Bit AES Encryption**
- **Point-to-point, Point-to-multipoint or Store and Forward Operation**
- **158 mW EIRP 900 MHz Transmitter Power**
- **10/100Base-T Auto-sensing Ethernet Port**
- **HTTP Posts, SimpleDB, XML and ModBus/TCP Support**

The LG90E is the Murata family's wireless Ethernet gateway for DNT90 900 MHz Frequency Hopping Spread Spectrum (FHSS) based products, including the SN90xx series sensor modems and the ZN-90M RS-485 serial modems. On the 900 MHz side, the LG90E's DNT90 radio provides robust wireless communications. On the wired side, the LG90E provides a 10/100Base-T interface to connect to virtually any Ethernet network. In between is the intelligence to allow seamless integration of DNT90 based devices into network or Internet cloud based applications. The wide array of Ethernet and Internet protocols supported reduces the effort to tie LG90E networks into existing sensing and monitoring applications. The LG90E gateway shares the same API as the other Murata gateway products, letting you pick the wireless technology that best suits your requirements with only a minimum of changes to your application.



**Absolute Maximum Ratings**

Rating	Value	Units
Power Supply Input Voltage Range	-5 to +30	V
Non-operating Ambient Temperature Range	-40 to +85	°C

**Electrical and Mechanical Specifications**

Specification	Sym	Notes	Minimum	Typical	Maximum	Units
900 MHz Operating Frequency Range			902.76		927.24	MHz
Spread Spectrum Modulation			Frequency Hopping (FHSS)			
Modulation Type			FSK			
Number of RF Channels			25, 26 or 52			
RF Data Transmission Rate				100		kbps
Receiver Sensitivity				-100		dBm
Transmitter EIRP Output Power Options with Supplied 2 dBi Antenna			40 or 158			mW
Optimum Antenna Impedance				50		Ω
Antenna Connector			Reverse SMA Male			
Access Scheme			Ad Hoc TDMA			
Network Topologies			Point-to-Point, Point-to-Multipoint, Store & Forward			
Network Integrity			Heartbeat Transmissions			
Encryption			128-bit AES			

# Preliminary

## Electrical and Mechanical Specifications (continued)

Specification	Sym	Notes	Minimum	Typical	Maximum	Units
RJ-45 Ethernet Port			10/100Base-T, Auto-sensing			
Ethernet Protocol			TCP/IP, UDP, ARP, ICMP, DHCP			
Internet Protocol			ModBus/TCP, HTTP Posts, SimplexDB, XML			
USB Diagnostic Console Port			USB 2.0			
Power Supply Input Voltage Range	V <sub>CC</sub>		+9		+30	VDC
Current Consumption					1.5	A
AC Power Supply			110/220 VAC Wall-plug Adaptor with International Plug Set			
Case Dimensions			7.30 x 4.67 x 1.5 inches (185.4 x 118.6 x 38.1 mm)			
Mounting			Left and Right Flanges, Two Pre-drilled Holes in Each Flange			
Operating Temperature Range			-40		+85	°C
Operating Relative Humidity Range		1	5		95	%

### Notes:

1. Non-condensing humidity environment.

# Preliminary

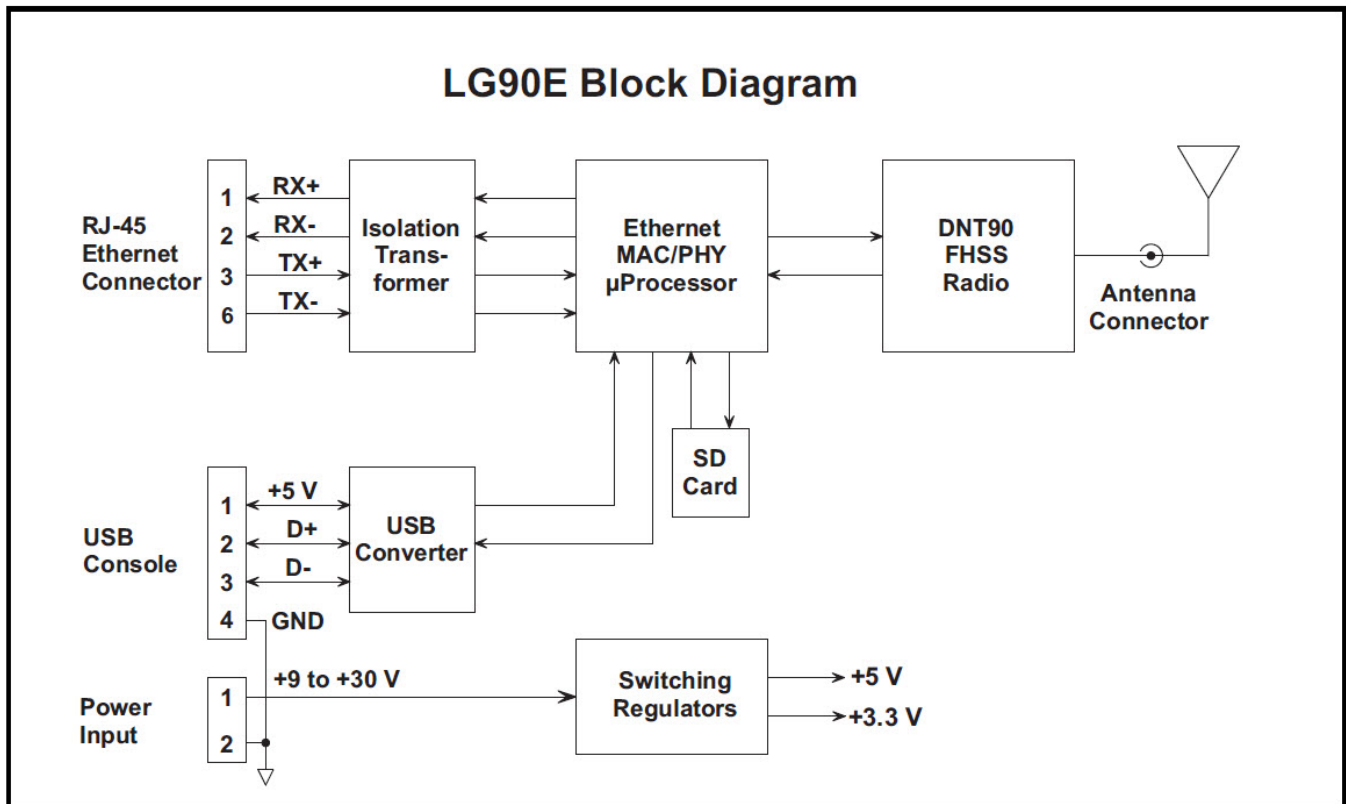


Figure 1

## LG90E Operation

The LG90E is a robust wireless Ethernet gateway for Murata's DNT90 Frequency Hopping Spread Spectrum (FHSS) radios. The DNT90 radio in the LG90E operates in the 902 to 928 MHz ISM band, transmitting data at 100 kbps with a power output of 40 or 158 mW EIRP.

The unit is packaged in a rugged aluminum enclosure, and ships with a universal wall-plug power supply and a 2 dBi 900 MHz dipole antenna. The LG90E is also compatible with Murata's complete line of 900 MHz antennas, allowing extended operating range where allowed by local regulations. The switching regulators used in the LG90E support a wide input voltage range, from +9 to +30 Vdc for operation from battery-backed DC power sources.

LG90E gateways support point-to-point or point-to-multipoint networks, with store & forward range extension capabilities for large site operations.

The LG90E provides a 10/100Base-T interface to connect to virtually any Ethernet network, providing seamless integration of DNT90 based remote devices, such as the SN90R420, into network or Internet cloud based applications. The LG90E includes support for TCP/IP, UDP, ARP, ICMP and DHCP Ethernet protocols, plus ModBus/TCP, HTTP Posts, SimpleDB and XML Internet protocols. This wide array of protocol support greatly reduces the effort to tie LG90E networks into existing sensing and monitoring applications.

ModBus/TCP support allows the LG90E gateway to seamlessly deliver wirelessly collected sensor readings using the ModBus/TCP standard protocol. The LG90E in conjunction with DNT24-based nodes provide a robust wireless data collection network suitable for a wide range of ModBus automation applications.

The LG90E is configured through an Ethernet port using a built-in configuration utility formatted as a web page.

# Preliminary

## RJ-45 Ethernet Connector

Pin	Name	I/O	Description
1	TX+	O	This pin is the Ethernet positive differential output.
2	TX-	O	This pin is the Ethernet negative differential output.
3	RX+	I	This pin is the Ethernet positive differential input.
4	RESERVED	-	This pin is reserved for future use and should not be connected.
5	RESERVED	-	This pin is reserved for future use and should not be connected.
6	RX-	I	This pin is the Ethernet negative differential input.
7	RESERVED	-	This pin is reserved for future use and should not be connected.
8	RESERVED	-	This pin is reserved for future use and should not be connected.

## USB Console Port Connector

Pin	Name	I/O	Description
1	+5 V	I	This pin is the +5 V USB Input
2	D+	I/O	This pin is the positive differential I/O port.
3	D-	I/O	This pin is the negative differential I/O port.
4	GND	GND	LG90E ground.

## DC Power Terminal Block

Pin	Name	I/O	Description
1	+PWR	I	Positive power supply input, +9 to +30 V.
2	GND	-	LG90E ground.

## LED Indicators

Pin	Name	I/O	Description
1	ACTIVITY	O	Left-most LED on the front of the unit, amber color. Indicates RF communications activity.
2	LINK	O	Middle LED on the front of the unit, red color. On the base, this LED indicates one or more remotes are linked to it. On a remote, this LED indicates it is linked to the base.
3	POWER	O	Right-most LED on the front of the unit, green color. Indicates the unit is powered up.
4	ETH ACT	O	Upper-left LED on the RJ-45 Ethernet connector, green color. Indicates the Ethernet port is linked.
5	ETH LINK	O	Upper-right LED on the RJ-45 Ethernet connector, amber color. Indicates the Ethernet port communications activity.

# Preliminary

## LG90E Outline Drawing

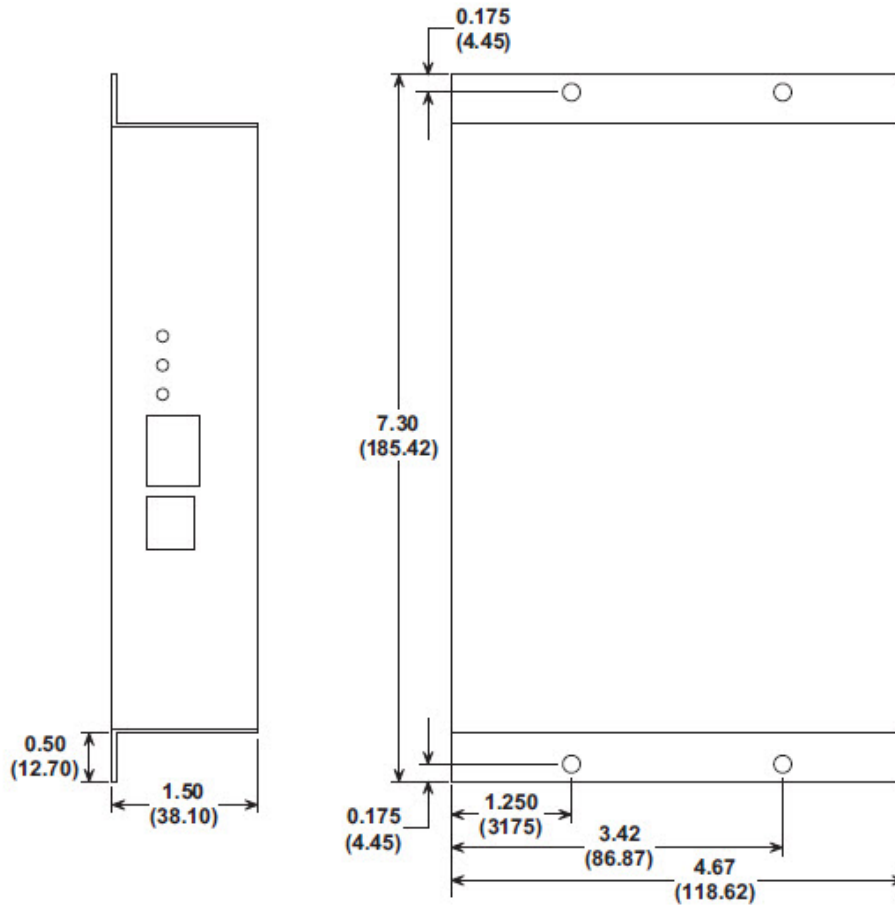


Figure 2

# Preliminary

## Application Examples

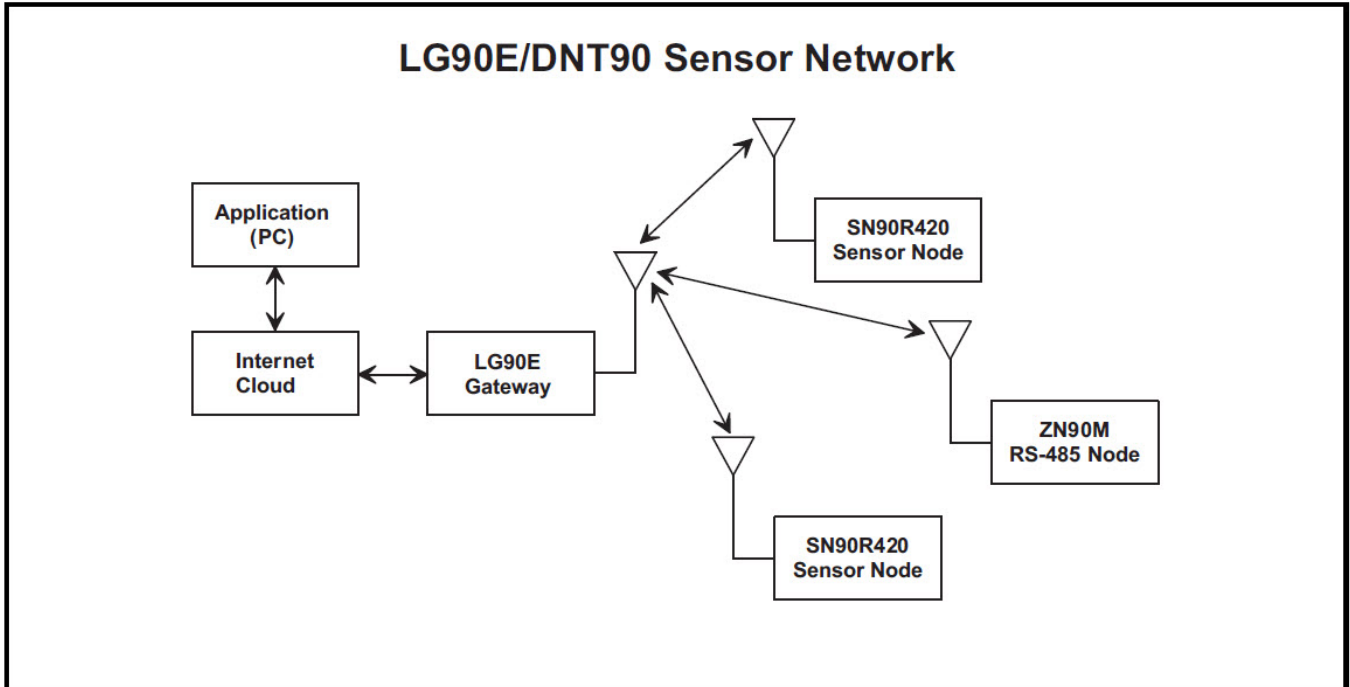


Figure 3

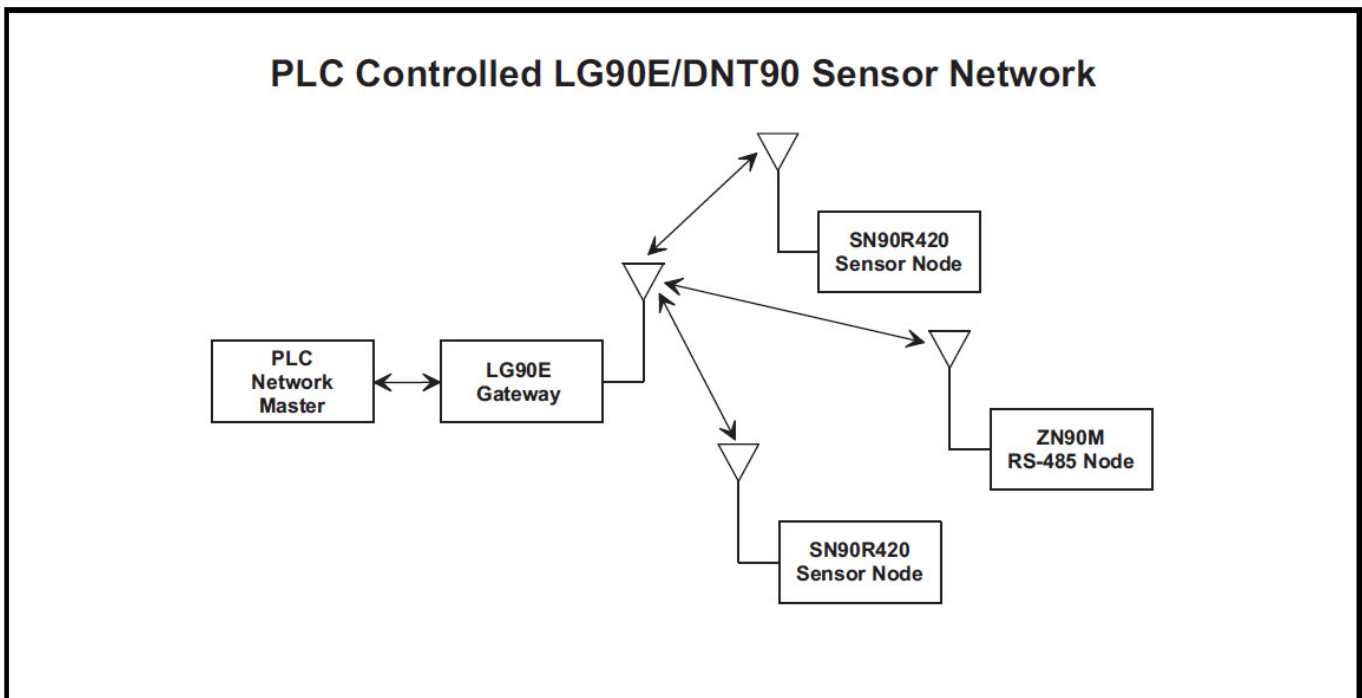


Figure 4

Specifications subject to change without notice.

M-0090-1000 Rev B