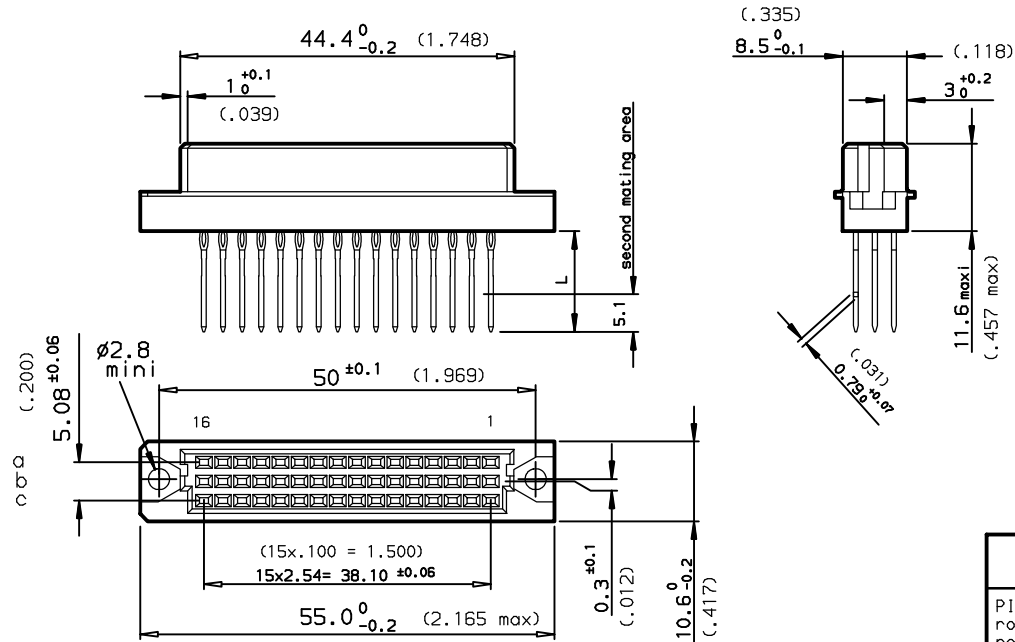
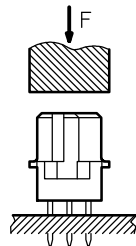


DIMENSIONS mm (inches)

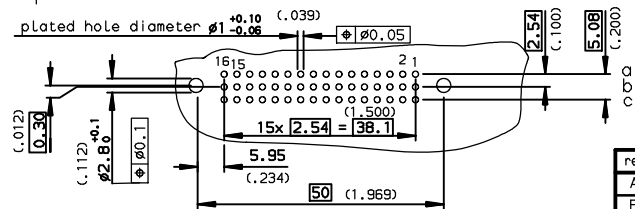


METHOD OF INSERTION ON THE PCB = FLAT ROCK



PCB DRILLING

component side



PART NUMBER	8609			83		7		5	
PIN OUT									
rows a-b-c				3		48			
rows a-c				4		32			
NUMBER OF CONTACTS									
TERMINATION									
L = 13.10 ± 0.20 (.515)								96	
L = 17.10 ± 0.20 (.673)								97	
PERFORMANCE CLASS									
DIN 41612 class 3									4
DIN 41612 class 2									5
DIN 41612 class 1									6
TERMINATION TYPE									
TIN LEAD									000A
LEAD FREE									ALF

GENERAL CHARACTERISTICS AND ROHS INFORMATIONS:

SEE DRAWING C-8609-0000C

European Views

www.fciconnect.com	surface	tolerance std	projection	mm
	ISO 1302	ISO 406 ISO 1101		
	TOLERANCES UNLESS OTHERWISE SPECIFIED			
Dr ROUILLARD	1998/06/15	0.x	±0.1	size
Eng TARON	1998/06/15	0.xx	±0.1	A3
Chr LEGARE	1998/06/15	0.xxx	±0.1	ECN
Appr LEGARE	1998/06/15	Product family	DIN 8609	LS06-0095
		Spec ref	-	
<b>FCj</b>	title			Rev.
	STRAIGHT FEMALE - STYLE C/2			C
	PRESS FIT REAR PLUG UP			
catalog no				CUSTOMER sheet 1 of 1

rev	ecn no	dr	date
A	-	-	1998/06/15
B	LS05-004	JTA	2005/02/26
C	LS06-0095	LGO	2006/06/24
-	-	-	-
-	-	-	-
-	-	-	-
-	-	-	-